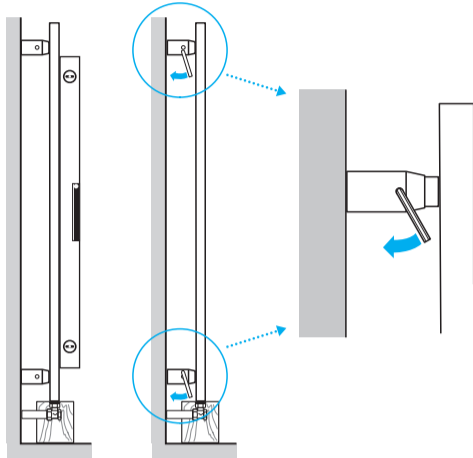
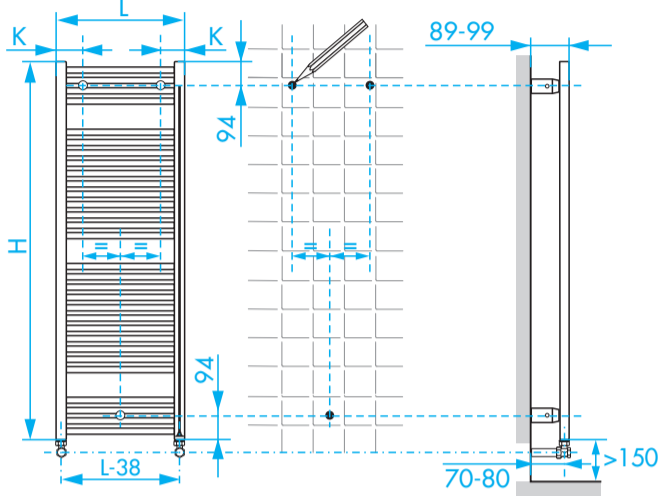
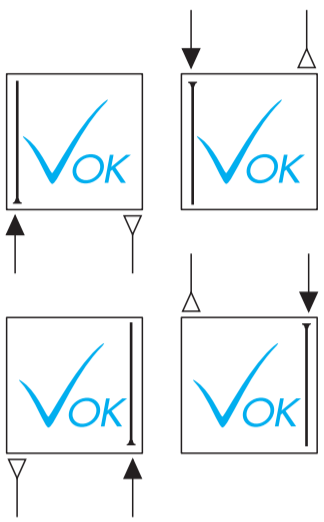
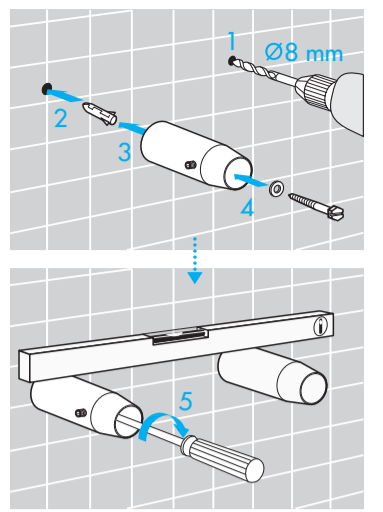
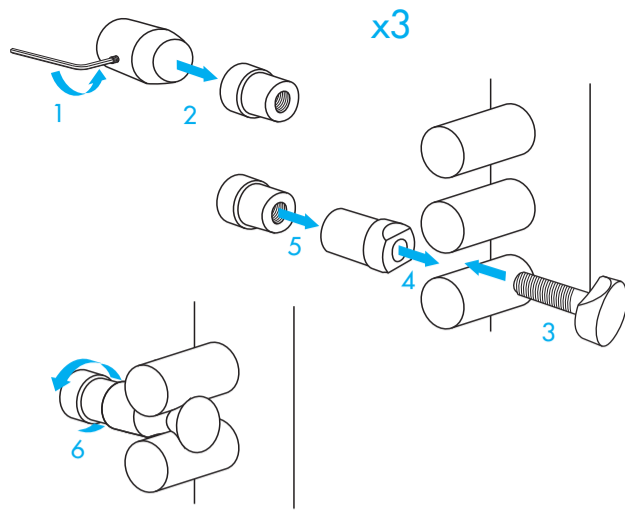
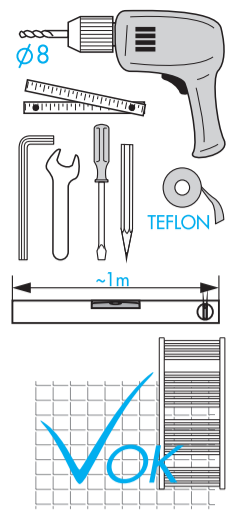
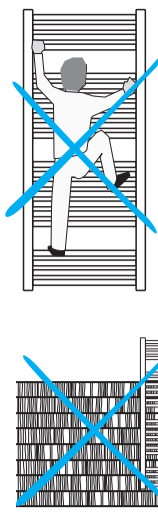
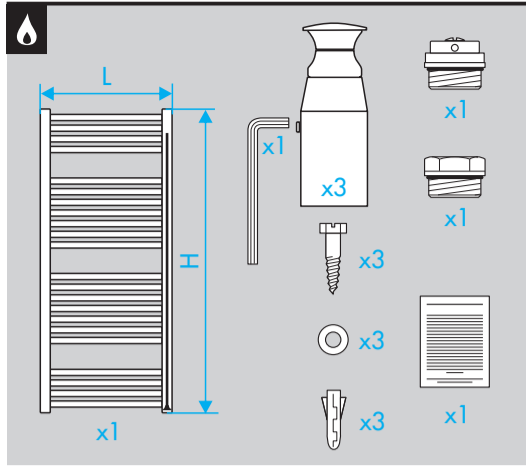


TYPE PO/S90

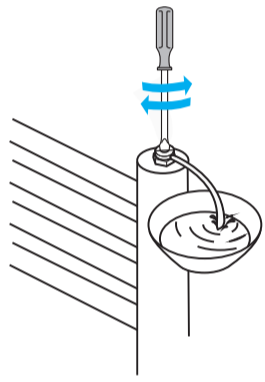
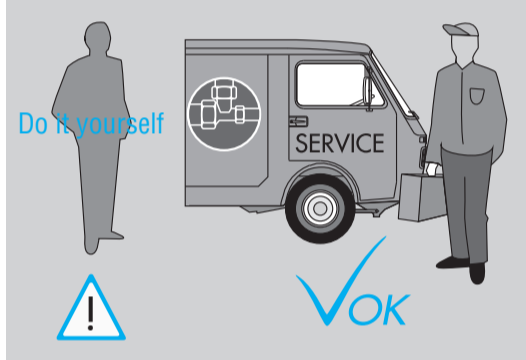
© Copyright by PBO 07/14 1002974



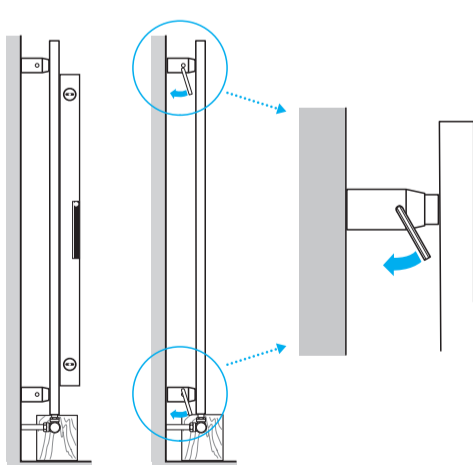
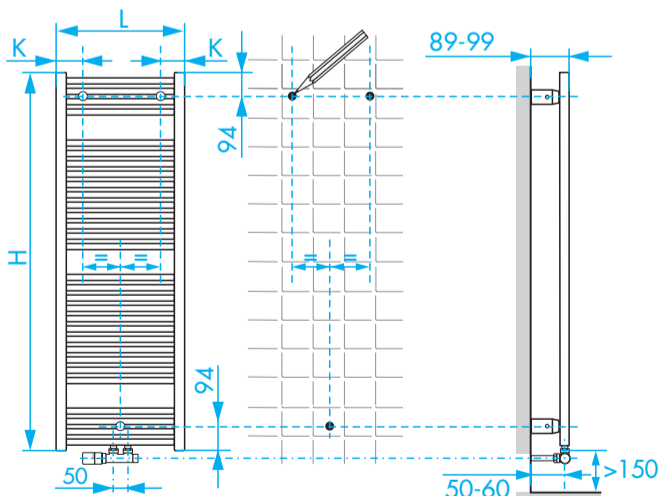
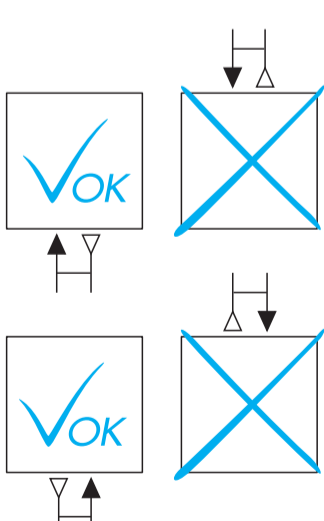
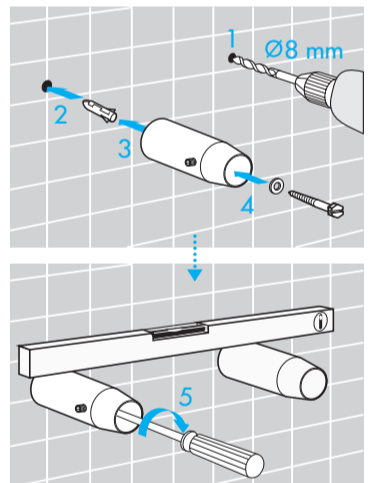
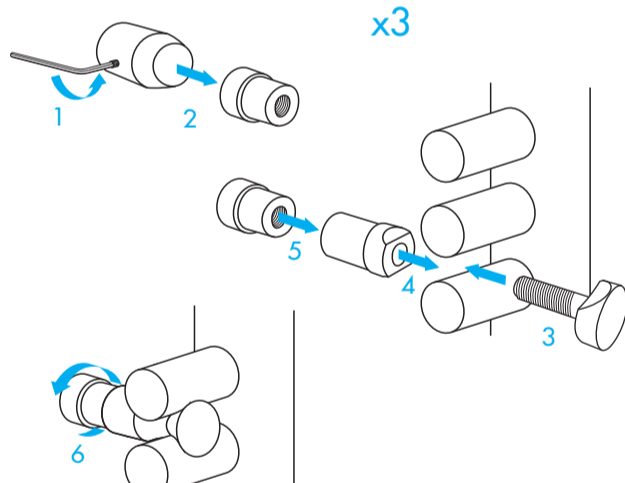
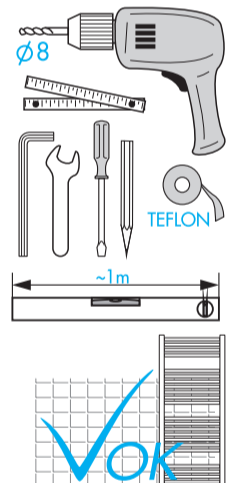
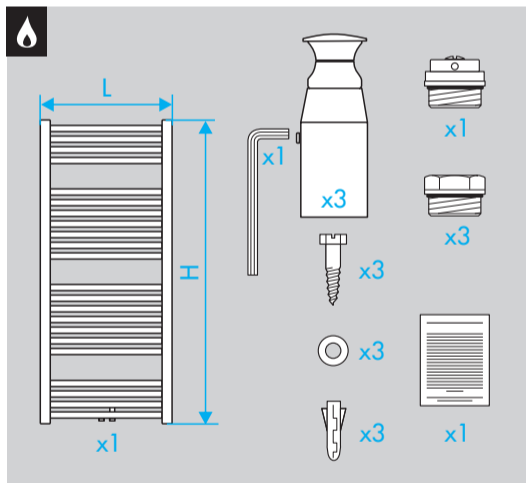
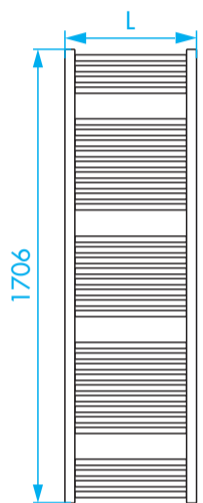
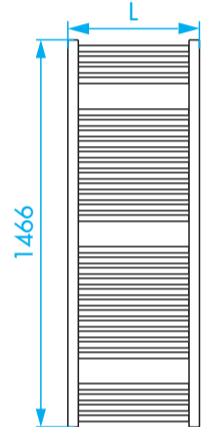
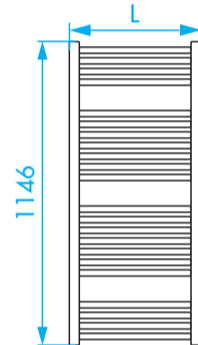
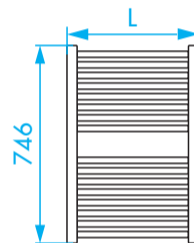
L	300	450	500	600	750
K	80	100	100	100	100

L	300	450	500	600	750
K	80	100	100	100	100

L	300	450	500	600	750
K	80	100	100	100	100



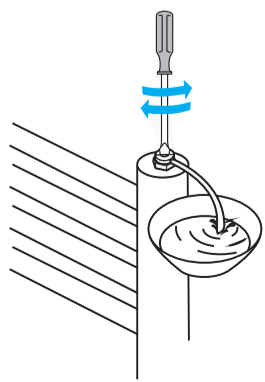
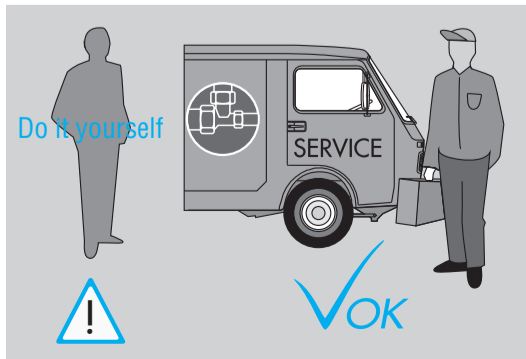
L	300	450	500	600	750
K	80	100	100	100	100



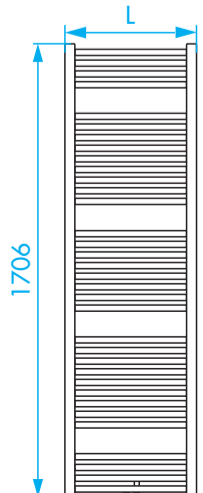
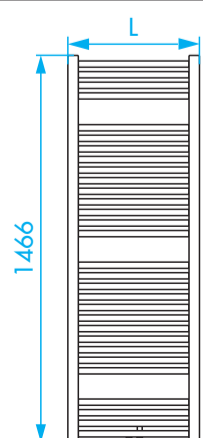
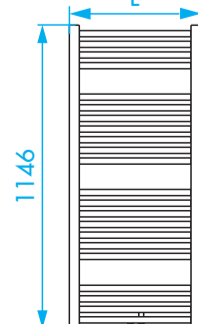
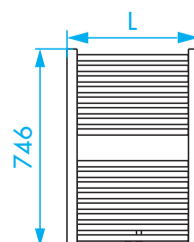
L	300	450	500	600	750
K	80	100	100	100	100

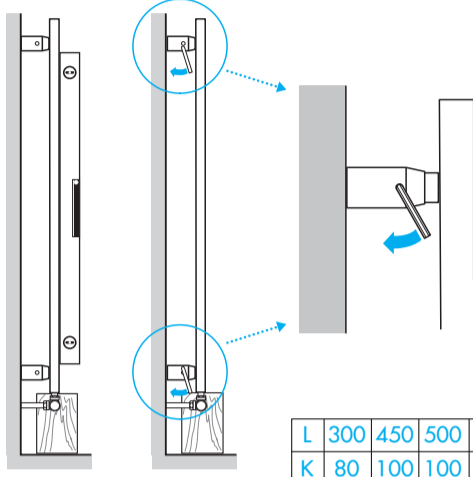
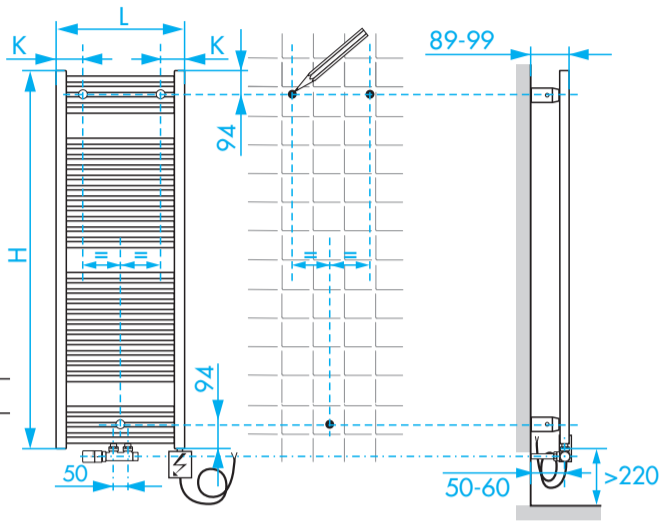
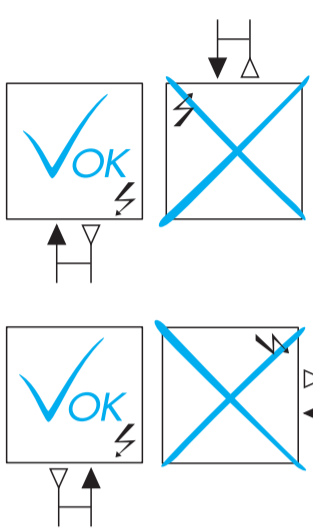
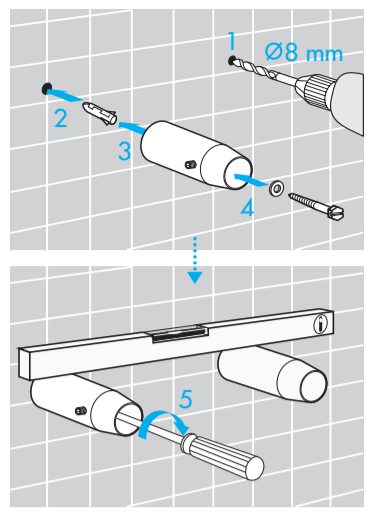
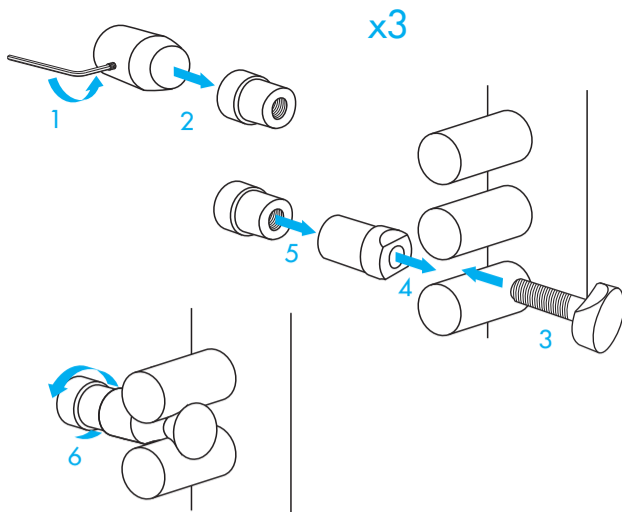
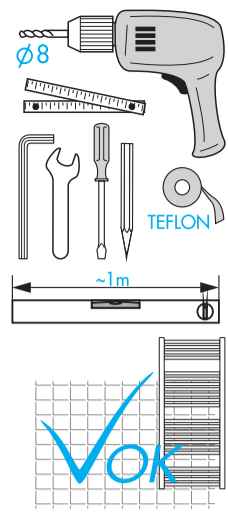
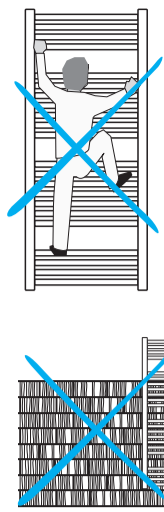
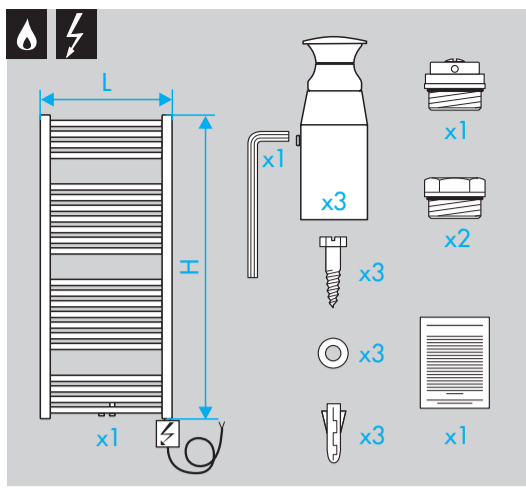
L	300	450	500	600	750
K	80	100	100	100	100

L	300	450	500	600	750
K	80	100	100	100	100



L	300	450	500	600	750
K	80	100	100	100	100

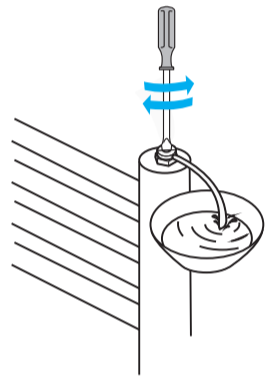
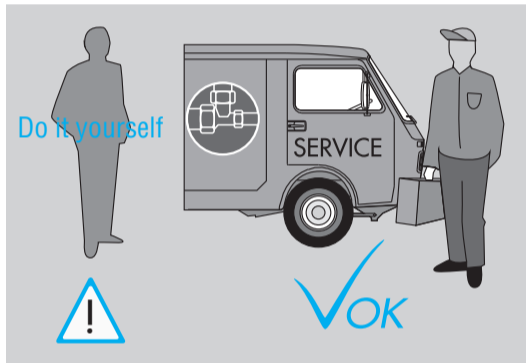




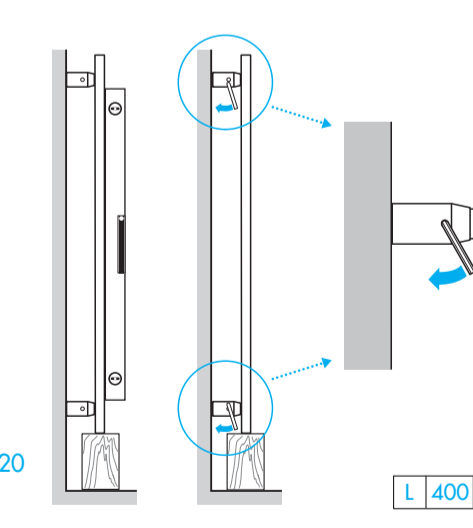
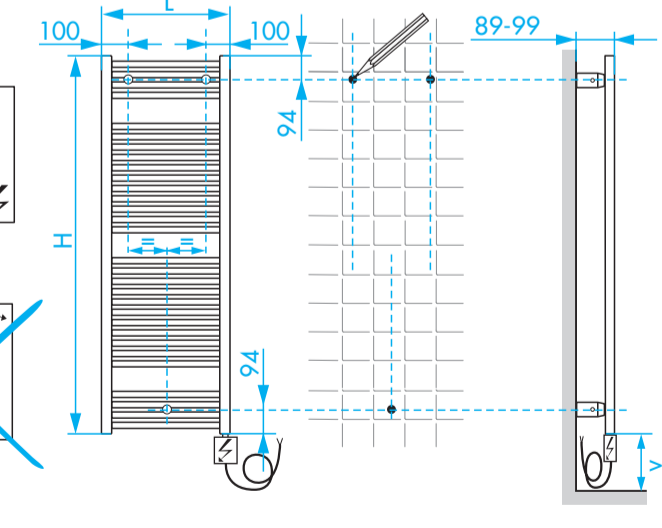
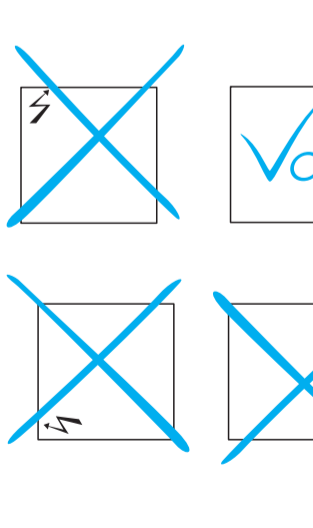
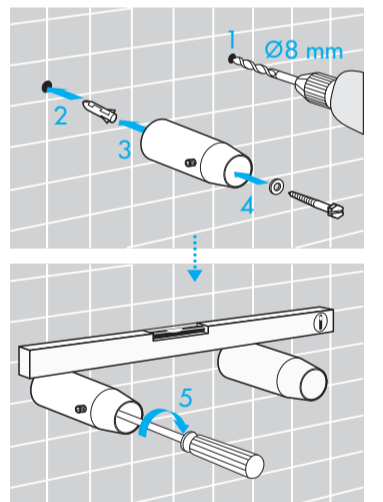
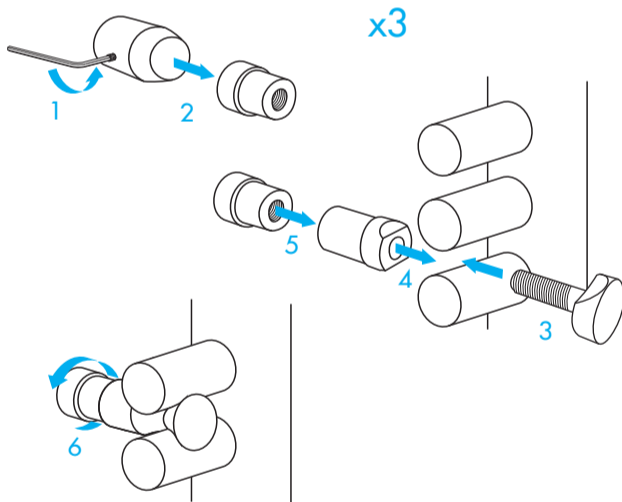
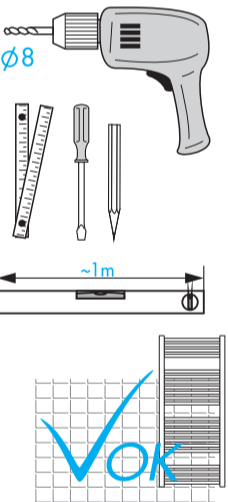
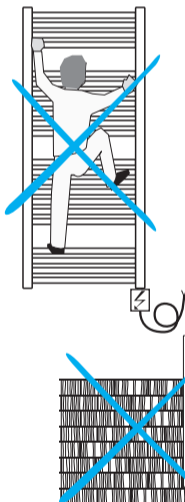
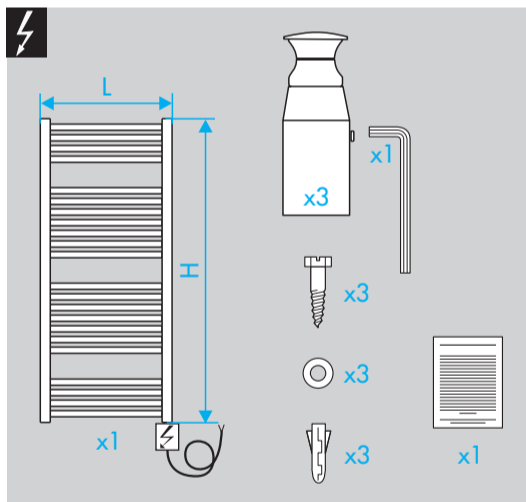
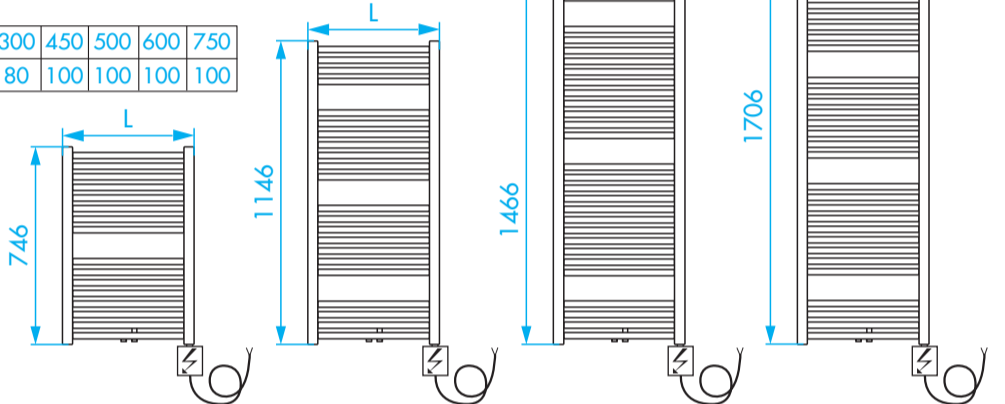
L	300	450	500	600	750
K	80	100	100	100	100

L	300	450	500	600	750
K	80	100	100	100	100

L	300	450	500	600	750
K	80	100	100	100	100



L	300	450	500	600	750
K	80	100	100	100	100



L	400	500
---	-----	-----

L	400	500
---	-----	-----

L	400	500
---	-----	-----

L	400	500
---	-----	-----

