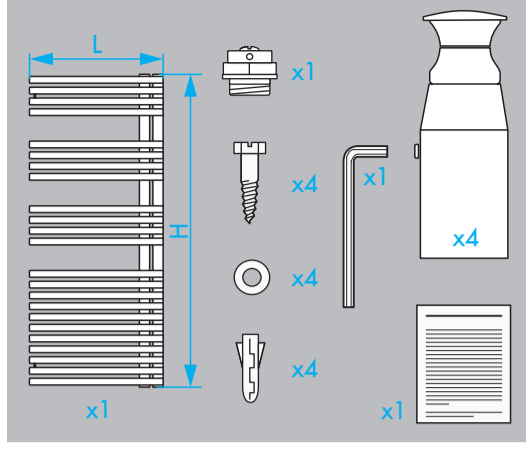
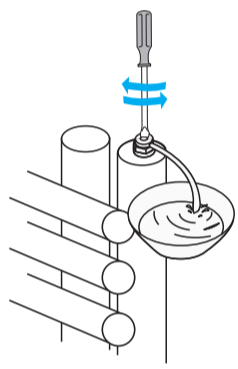
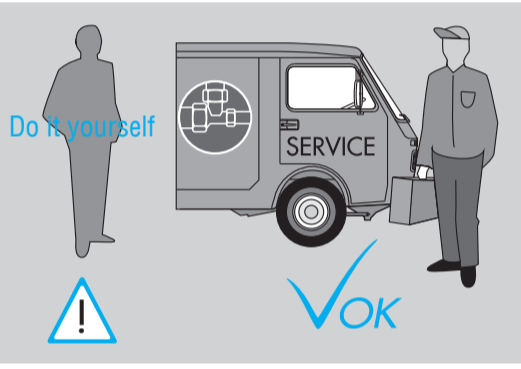
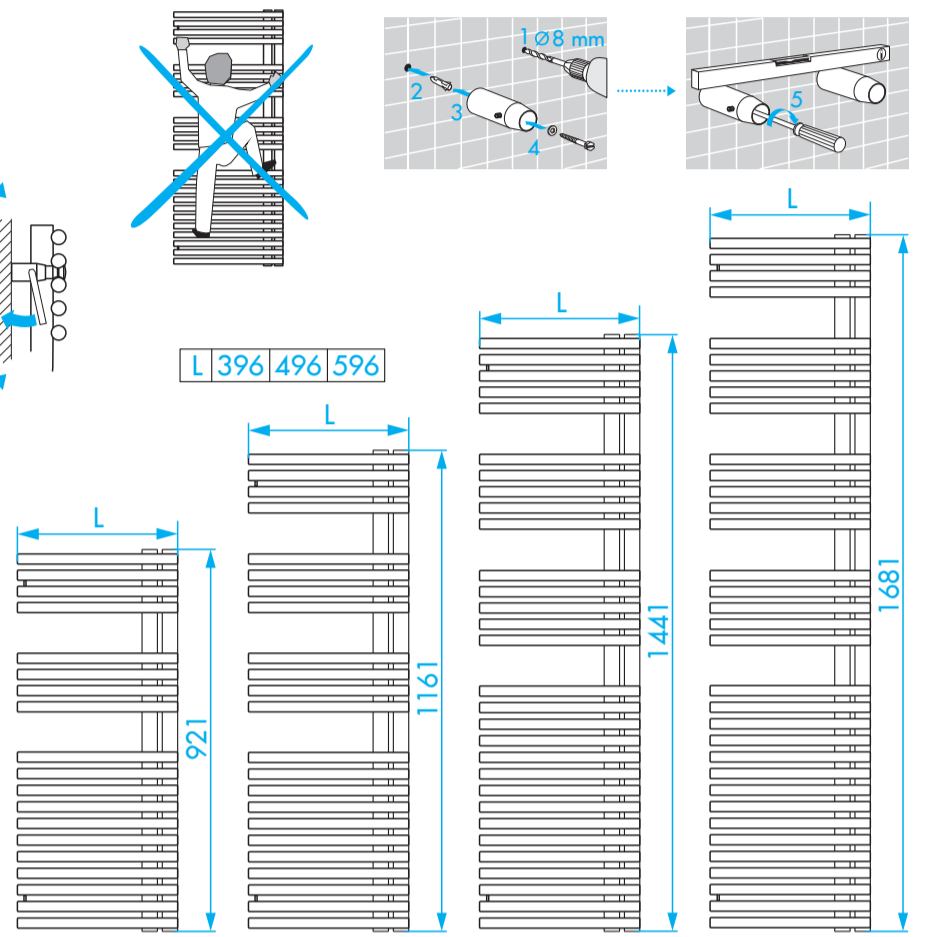
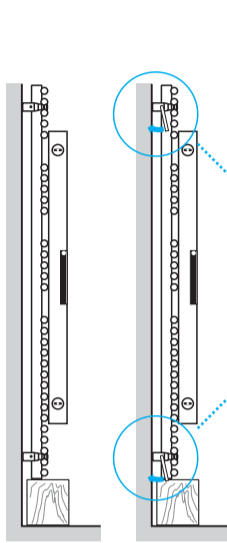
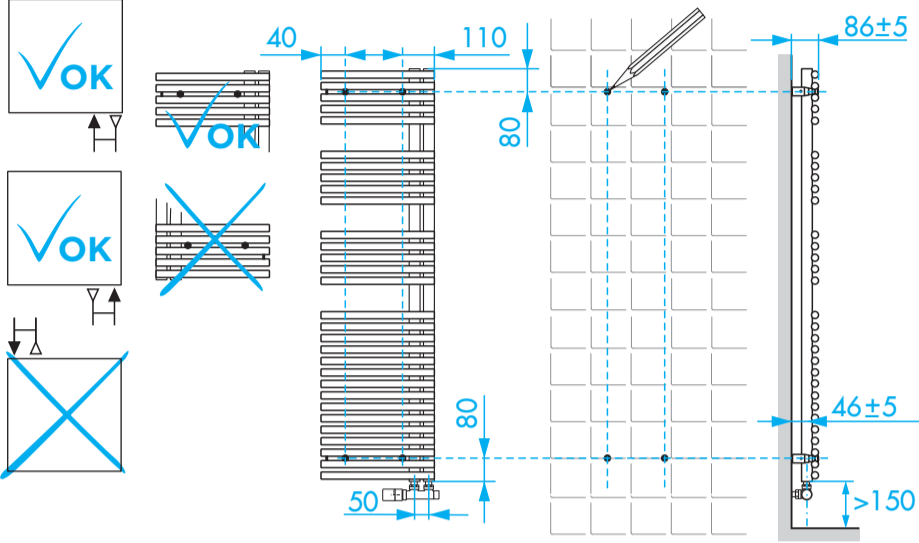
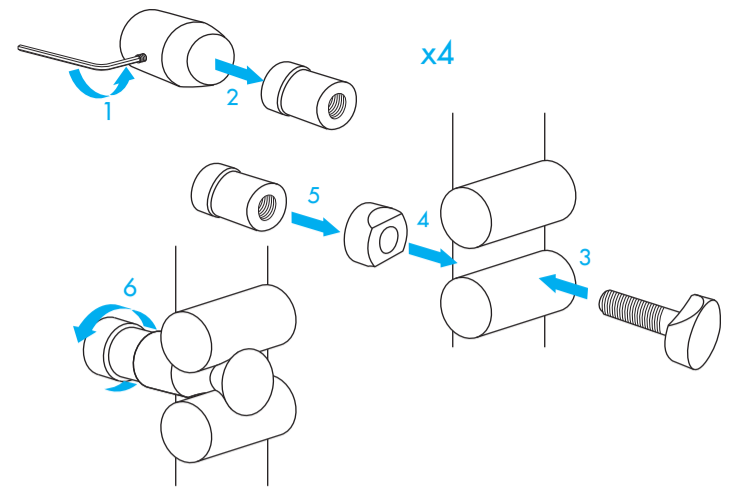
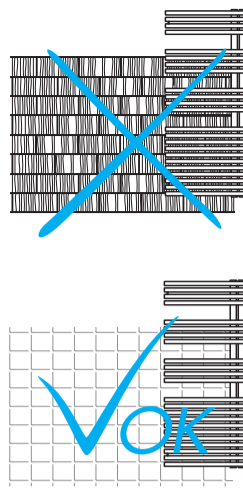


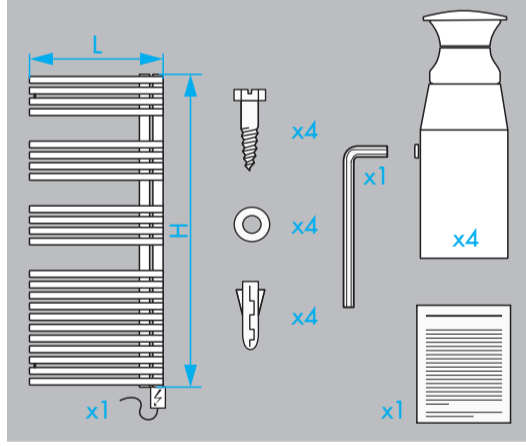
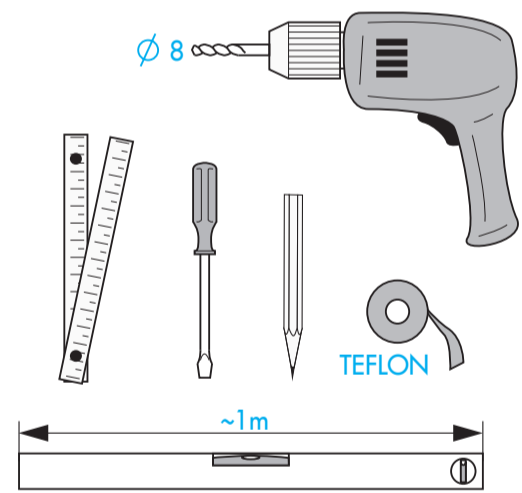
**P25-M / P25-F**



© Copyright by PBO 01/15 1015002



**P25-ME / P25-FE**



© Copyright by PBO 01/15 1015002

