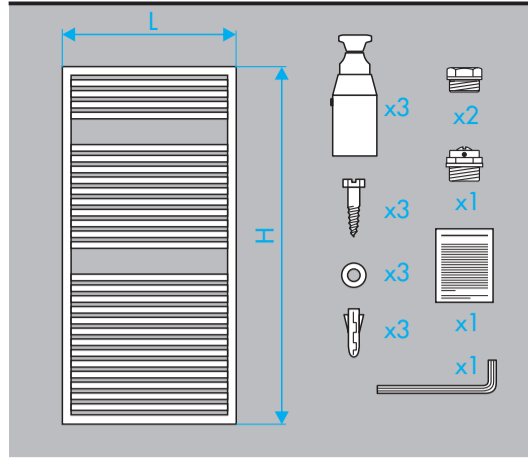
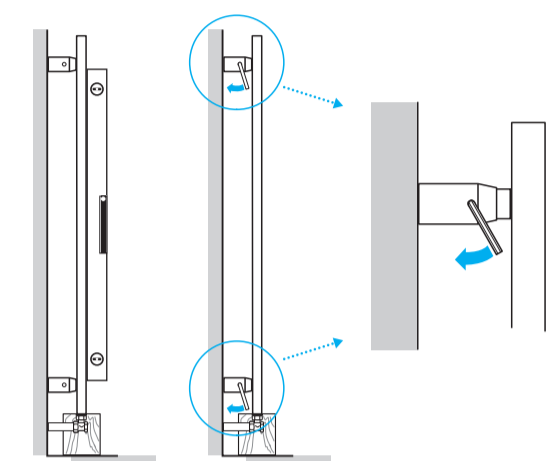
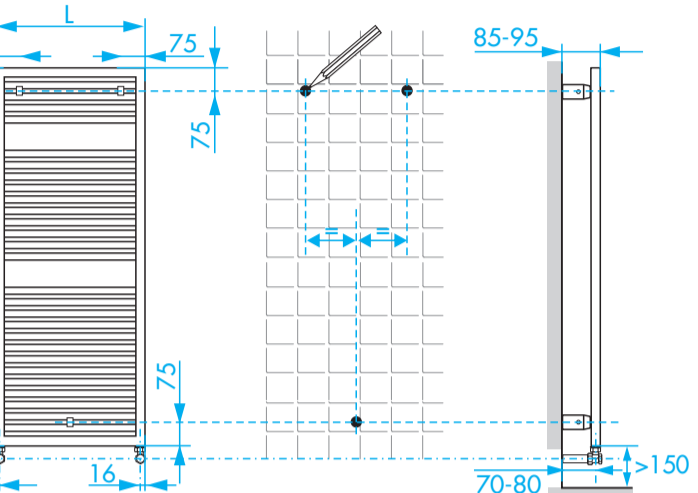
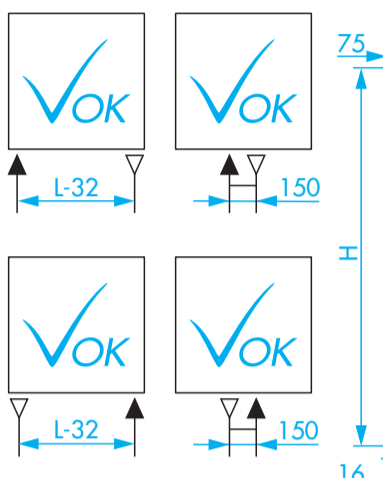
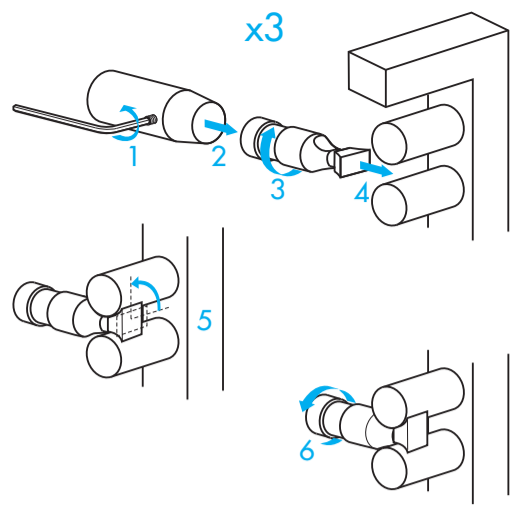
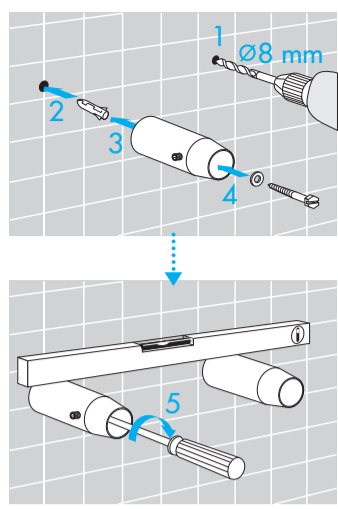
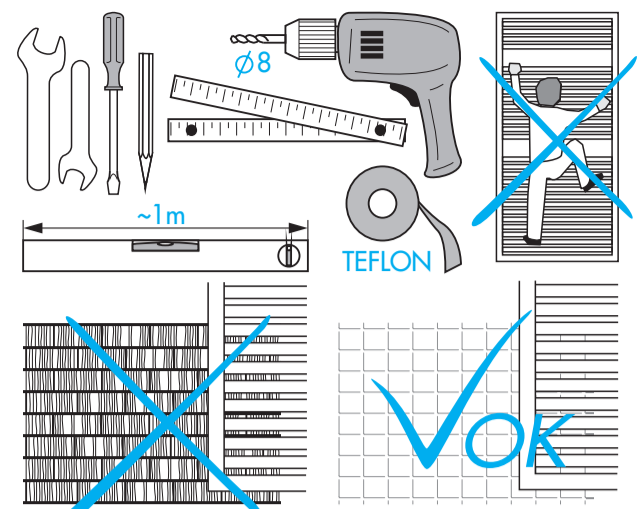


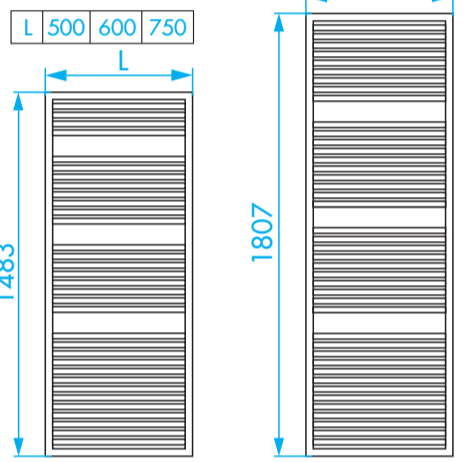
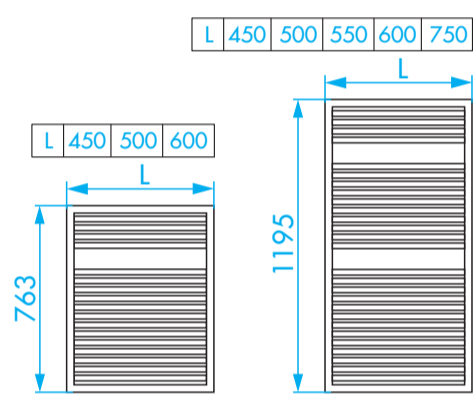
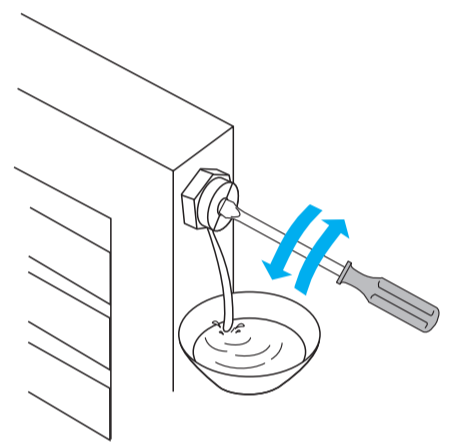
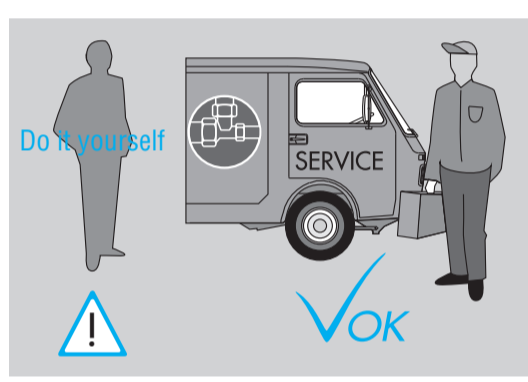
**HU**



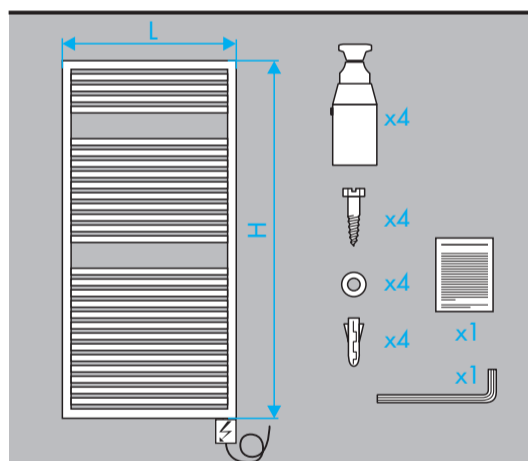
© Copyright by PBO 01/16 40004174



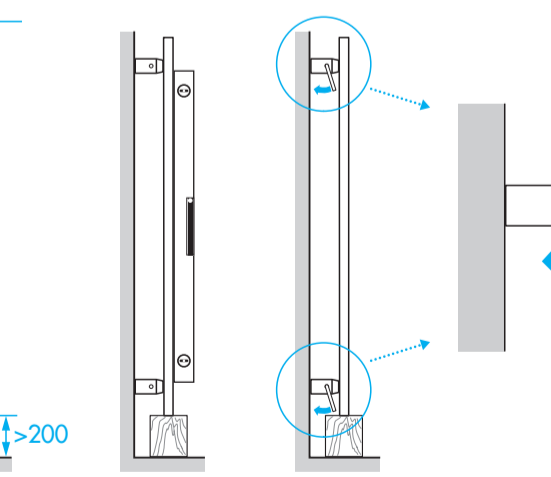
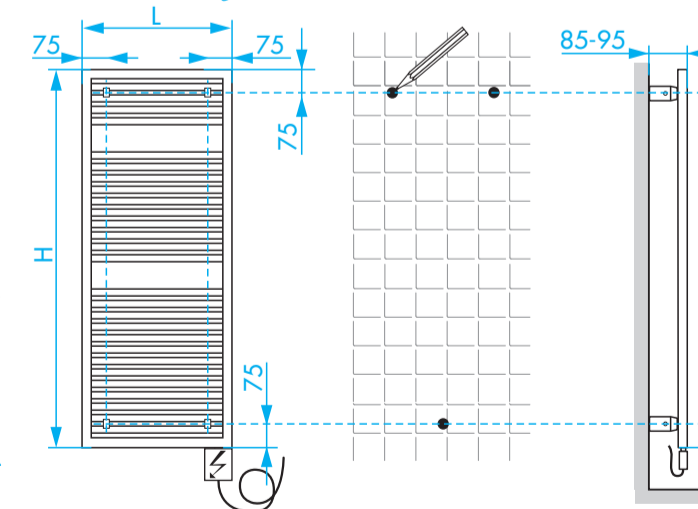
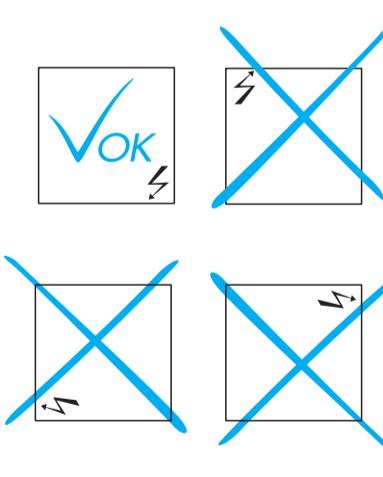
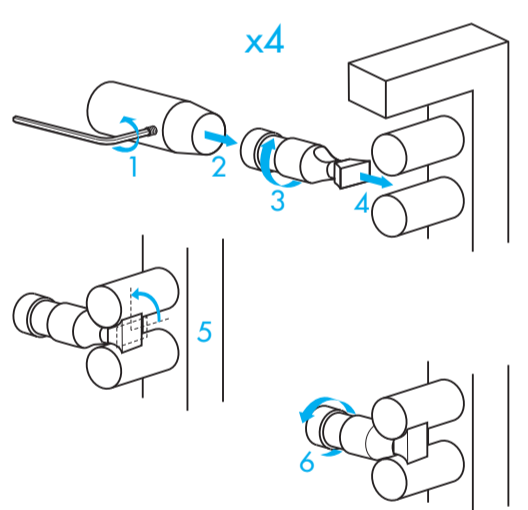
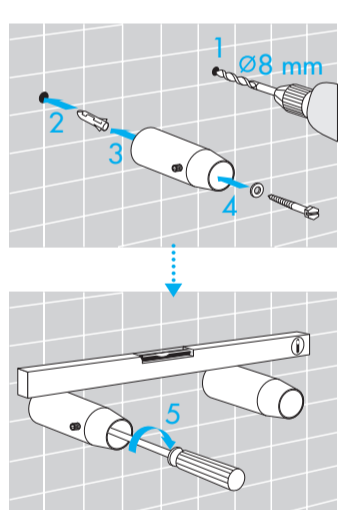
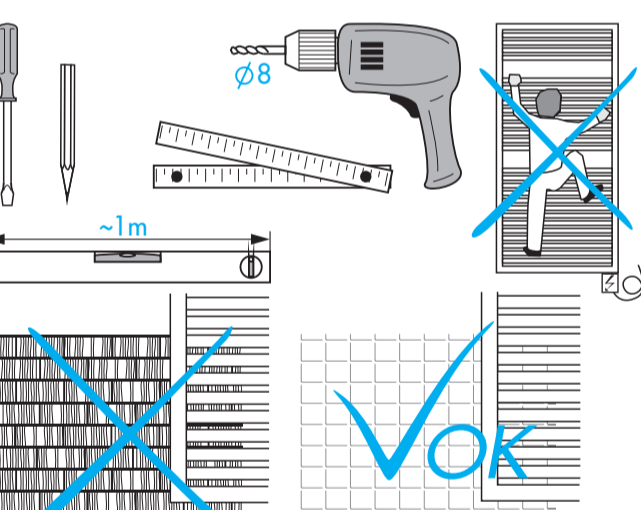
L 450 500 550 600 750 1000



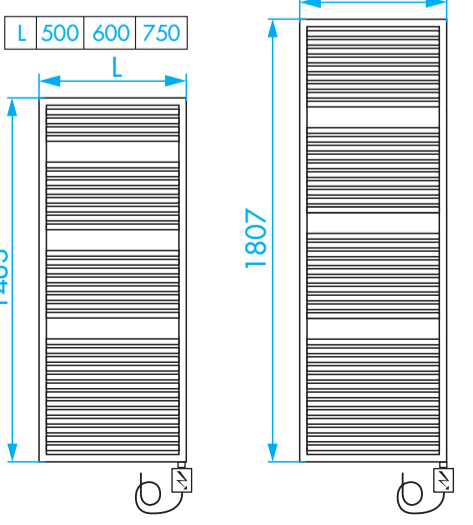
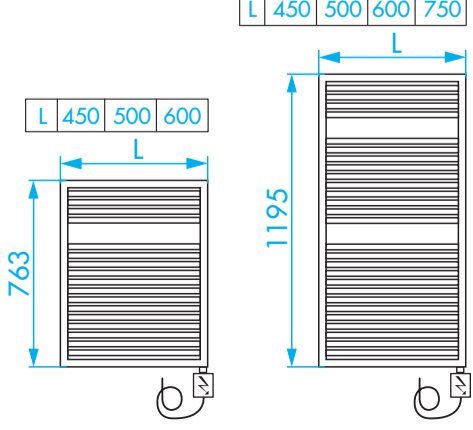
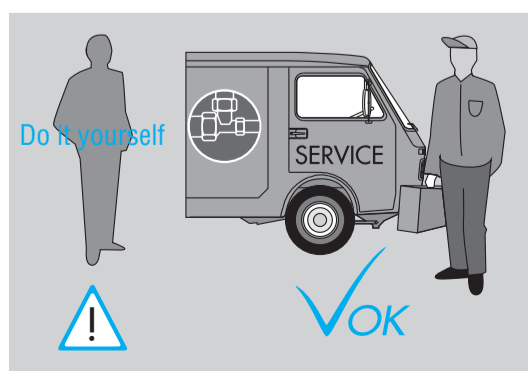
**HE**



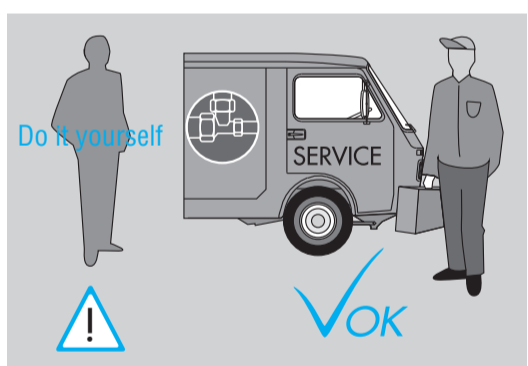
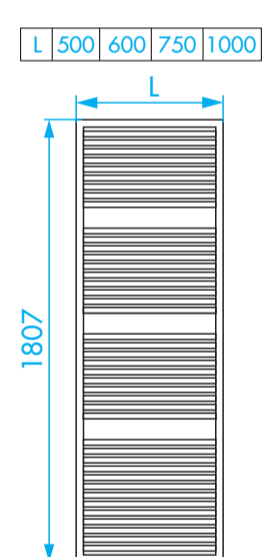
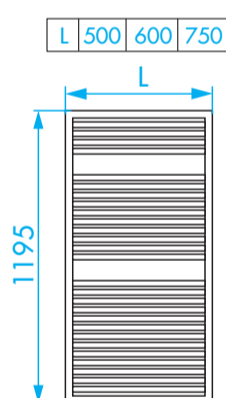
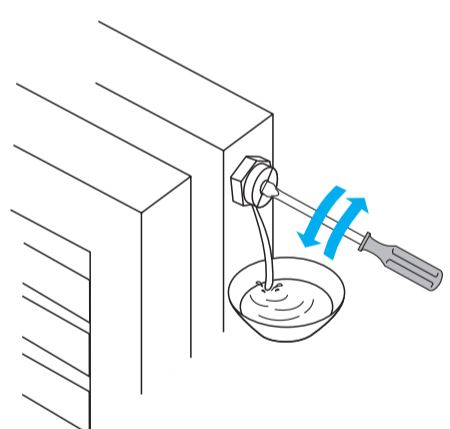
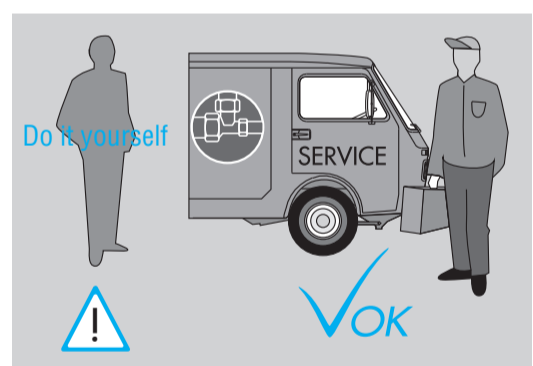
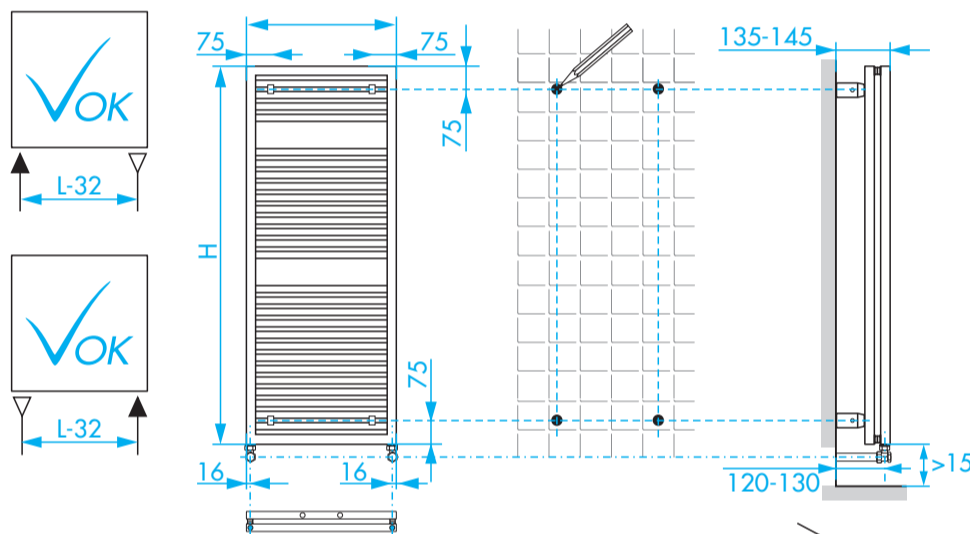
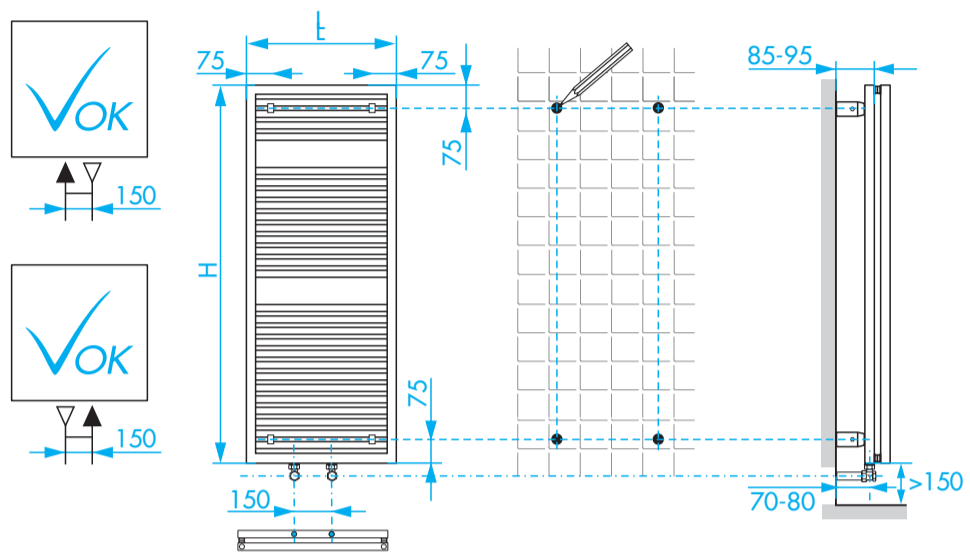
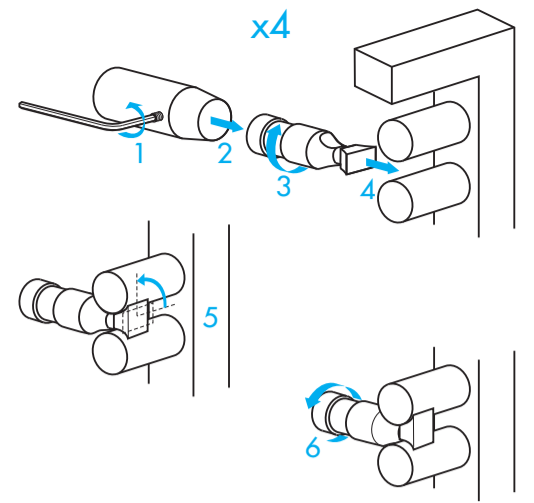
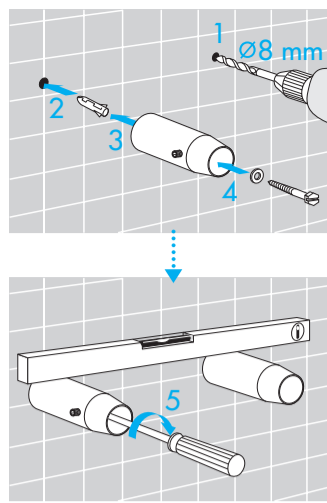
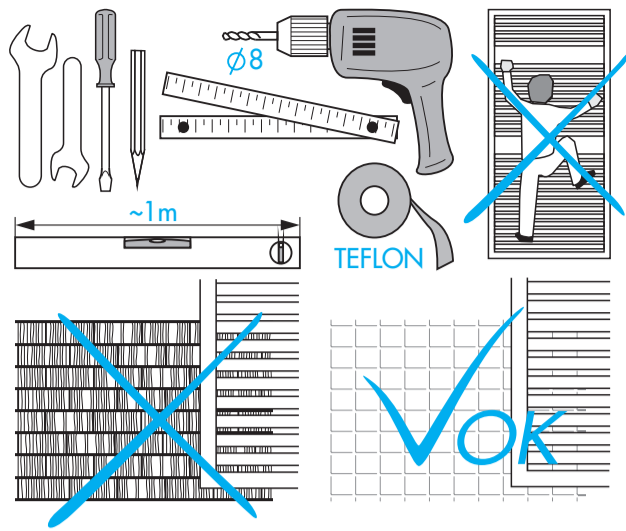
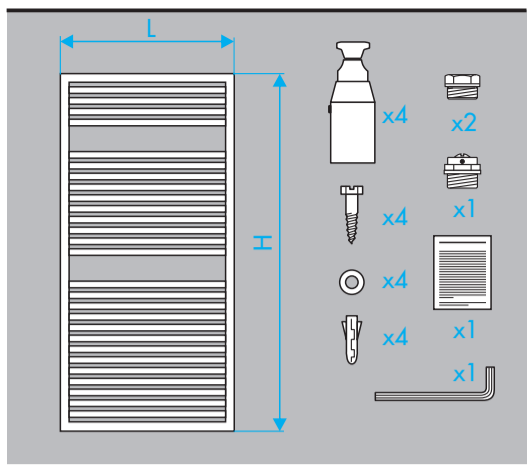
© Copyright by PBO 01/16 40004174



L 450 500 600 750



HUD



Do it yourself



VOK

