

# Advantages for developers and housing associations:

- Versatile mounting: Wall-integrated or surface/ceiling-mounted options for diverse installations.
- Space-saving solution: Frees up valuable living space.
- Lean construction planning: The clever pre-installation option for the flush-mounting box makes the unit easy to install just prior to occupancy.
- Easy retrofitting: Unit can be installed in refurbishment or renovation projects.

# Good reasons for architects, designers and installers to love Zehnder ComfoAir Fit 100:

- Invisible Integration: the unit can be discreetly hidden in the exterior wall and elegantly concealed with a design cover or be mounted to the ceiling.
- Up to date design: modern and minimalistic
- Compact size: Takes up minimal space.
- Integrated enthalpy exchanger: eliminates the need for a condensate drain.
- Living comfort for your customer: whisper-quiet operation and low power consumption in any residential setting.
- Installation reliability: fool proof installation.
- Convenient: easy to use and maintain.

The Zehnder logo consists of the word "zehnder" in a white, lowercase, sans-serif font, slanted upwards to the right. It is positioned on a red rectangular background that is part of a larger red graphic element at the top right of the page.

zehnder

Z-ZGSI-V0224-CSY-PBR-CAFit100, en, subject to change without notice

**Zehnder Group Deutschland GmbH** ▪ Sales International  
Almweg 34 ▪ 77933 Lahr ▪ Germany  
T +49 7821 586-392 ▪ [sales.international@zehndergroup.com](mailto:sales.international@zehndergroup.com) ▪  
[www.international.zehnder-systems.com](http://www.international.zehnder-systems.com)



zehnder

- Decorative radiators ■ Comfortable indoor ventilation
- Heating and cooling ceilings ■ Industrial air cleaning

## Always the best climate for **Hassle-free installation**

Discover the Zehnder ComfoAir Fit 100 - a compact ventilation unit that fits seamlessly into any space. It offers versatile installation options and is nearly invisible.

always the best climate

# Flexible installation. Seamless integration.

The Zehnder ComfoAir Fit 100 is a compact and versatile ventilation unit - ideal for both new builds and refurbishment projects.

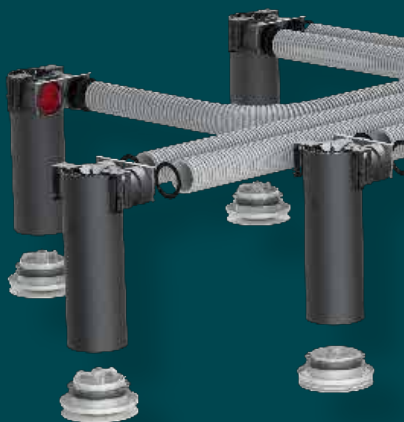


## Zehnder ComfoAir Fit 100.

Introducing the Zehnder ComfoAir Fit 100. Tailored for small studios, holiday homes and apartments, it offers flexible installation options—integrated into the external wall with a flush-mounting box, on the walls, or on the ceiling. This versatile system is designed to save valuable living space.

Paired with the specially designed Zehnder air distribution components, the entire Zehnder ComfoAir Fit 100 system guarantees a healthier living environment.

## Further installation options

**Zehnder ComfoAir Fit 100**

- 01 Balanced ventilation unit

**Flush-mounting boxes**

- 02 For wall-integrated installation of the Zehnder ComfoAir Fit 100

**Design cover**

- 03 For wall-integrated installation of the Zehnder ComfoAir Fit 100

**Duct work connections**

- 04 Duct work connections that can be moved to 4 positions

**Distribution manifolds**

- 05
- Zehnder ComfoCube CK150 distribution manifold, Connection 5 x ComfoTube 75
  - Zehnder ComfoCube CK150 distribution manifold, Connection 4 x ComfoTube 90

**Zehnder ComfoEdge Dupla**

- 06 Combined external wall grille DN 125

# Balanced ventilation system **Zehnder ComfoAir Fit 100.**

