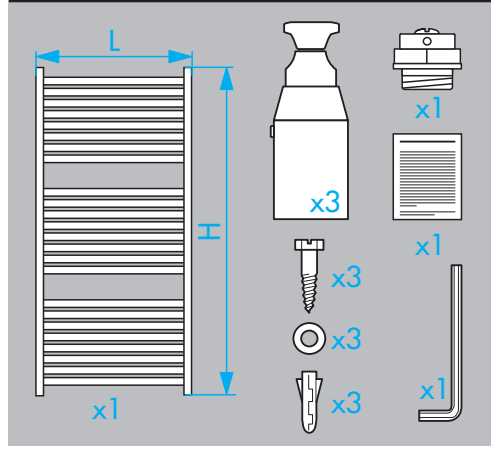
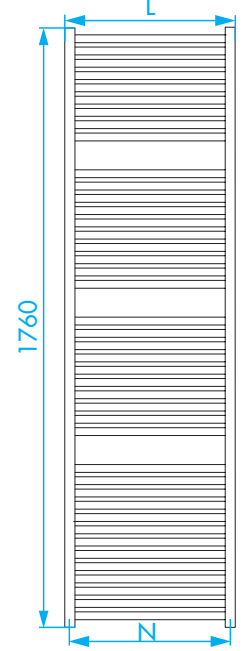
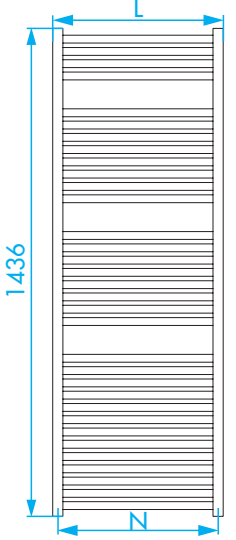
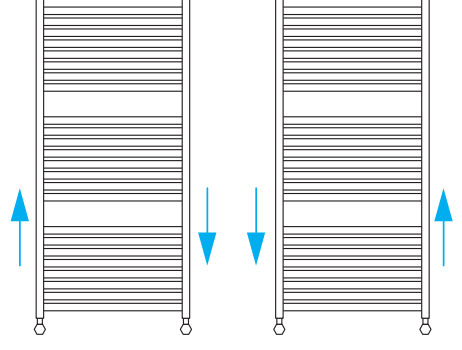
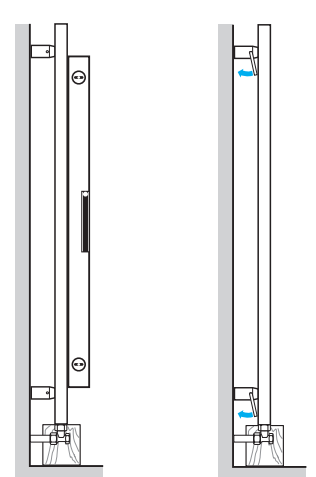
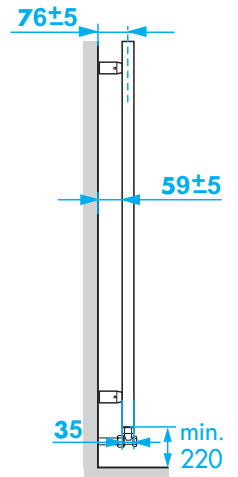
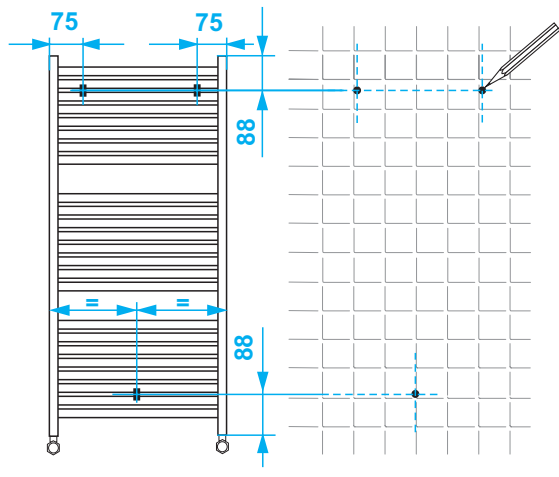
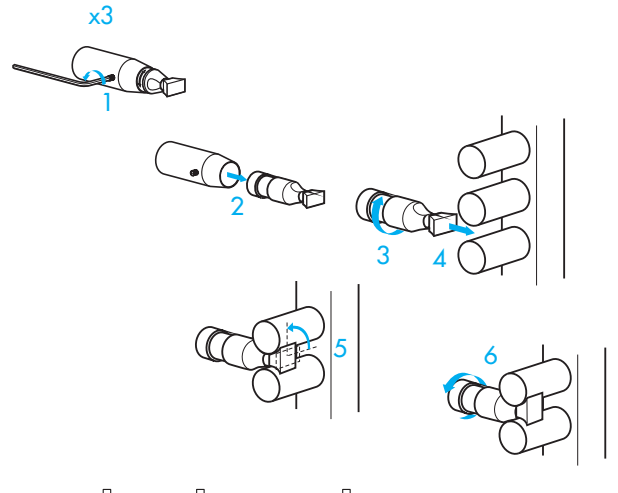
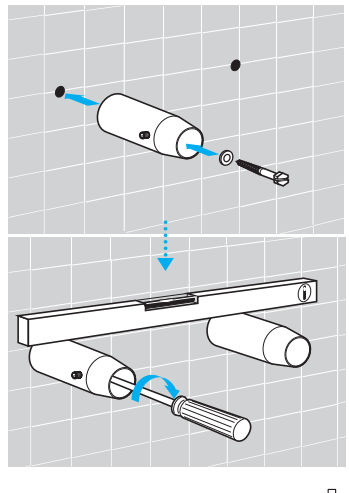
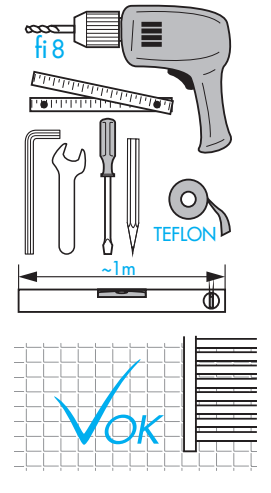
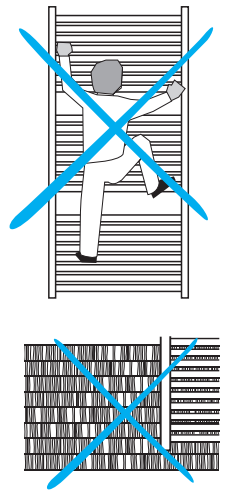


# TYPE P

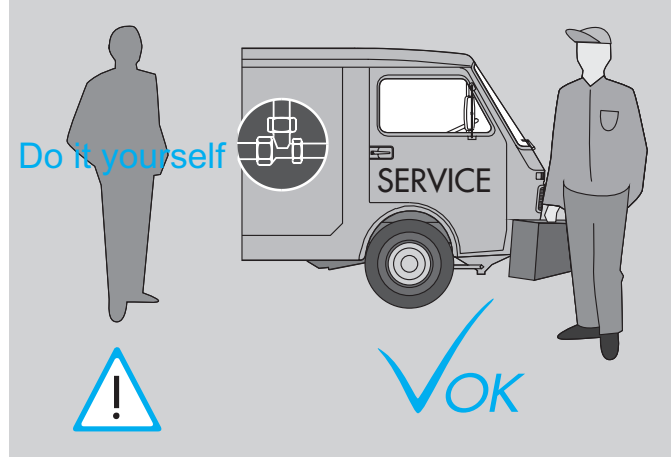
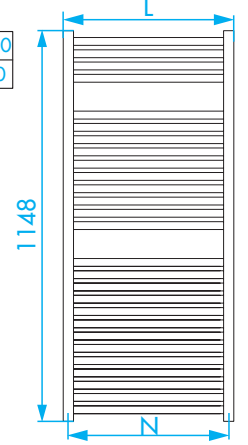
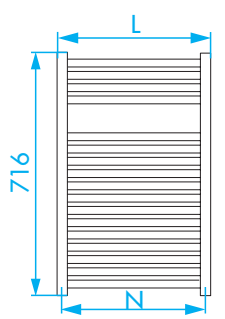
852 080



© Copyright by PBO 11/08

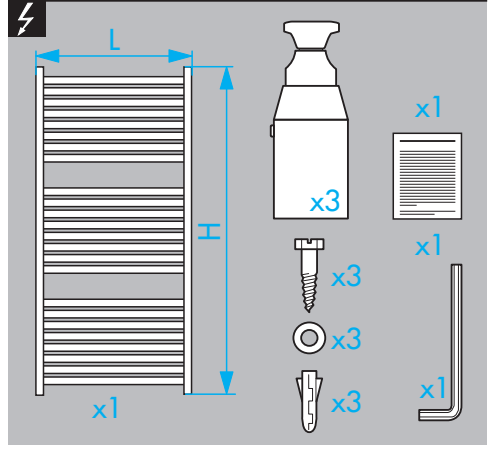


L	400	430	450	480	500	530	550	600	630	750	780	1000
N	370	400	420	450	470	500	520	570	600	720	750	970

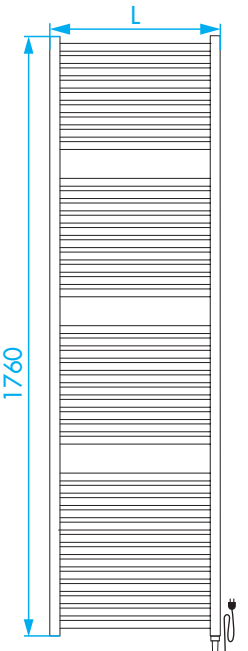
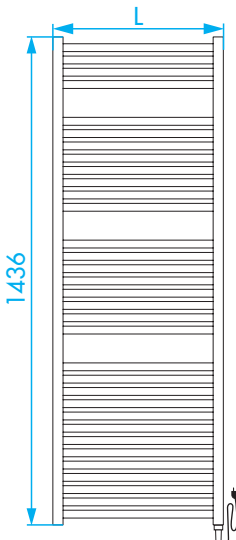
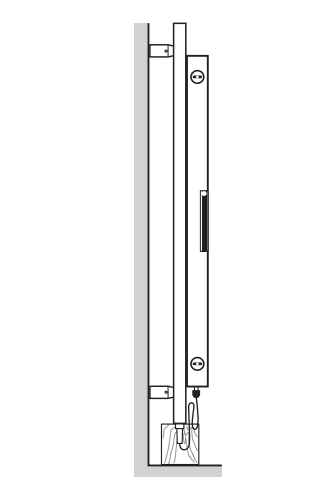
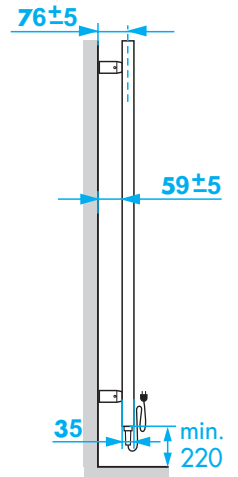
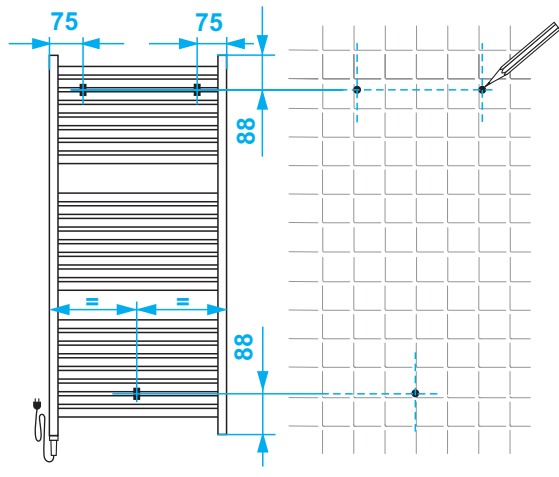
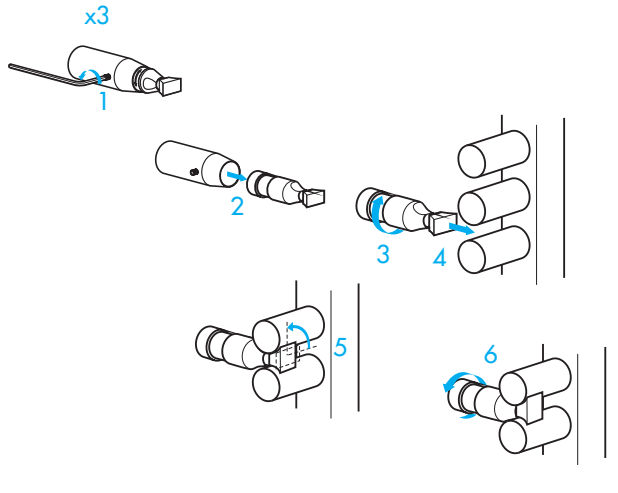
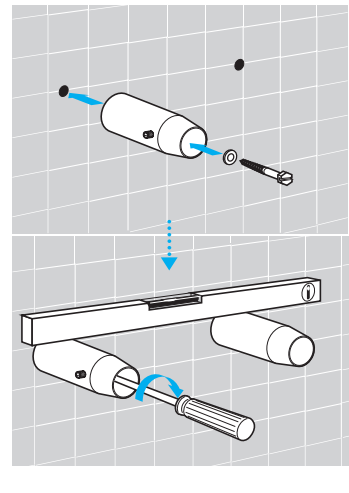
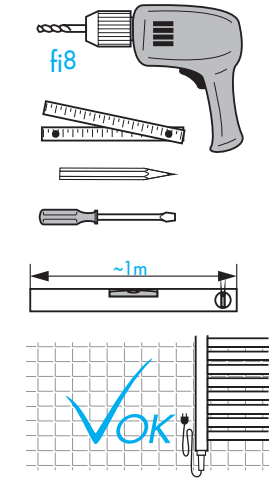
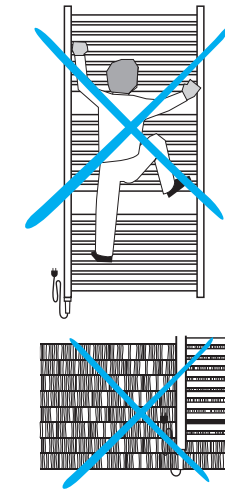


# TYPE P

852 080



© Copyright by PBO 11/08



L	400	430	450	480	500	530	550	600	630	750	780	1000
---	-----	-----	-----	-----	-----	-----	-----	-----	-----	-----	-----	------

