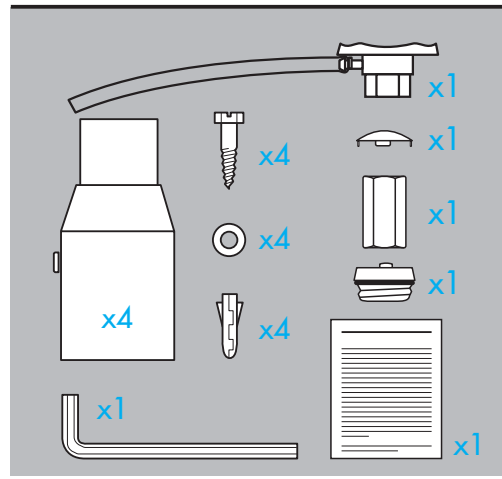
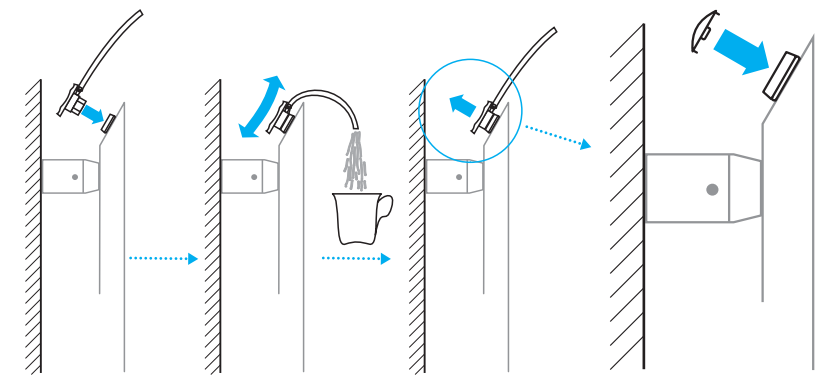
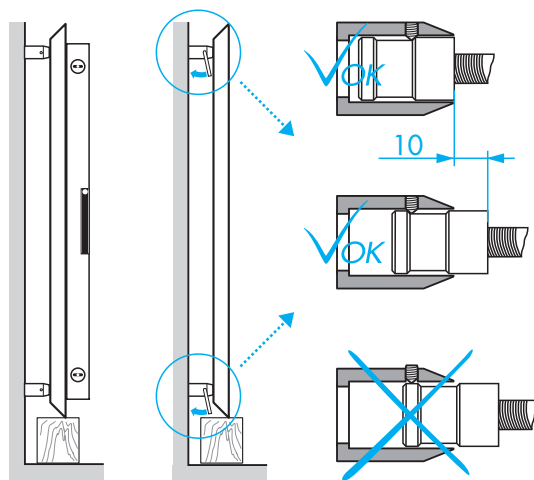
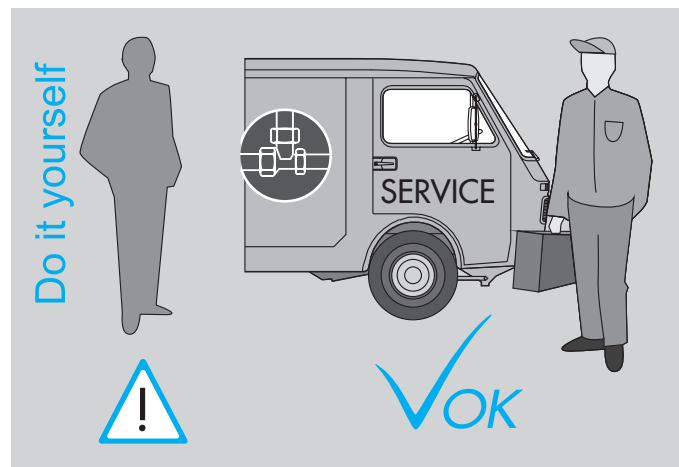
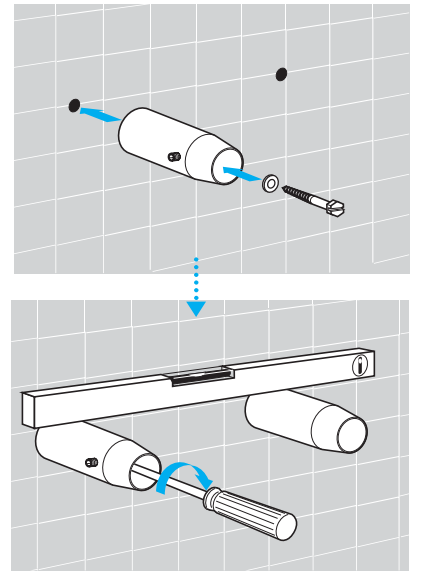
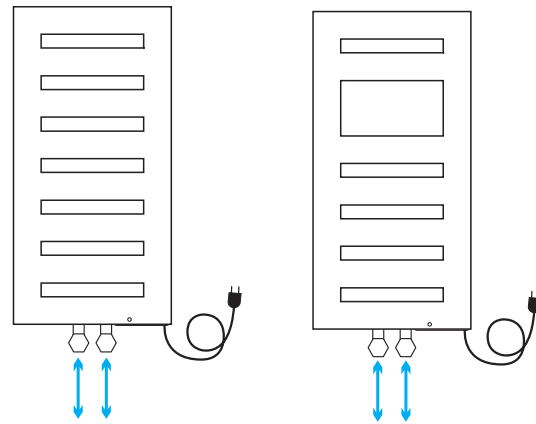
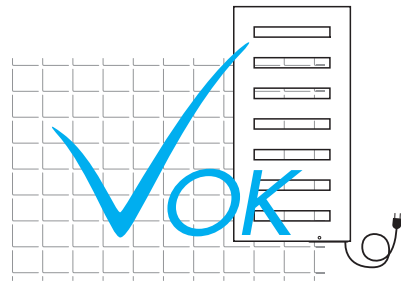
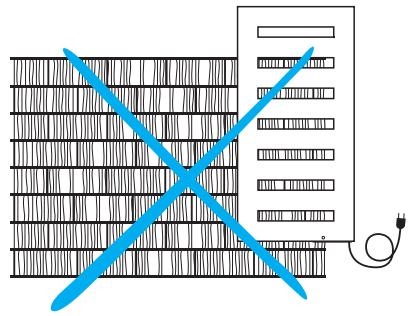
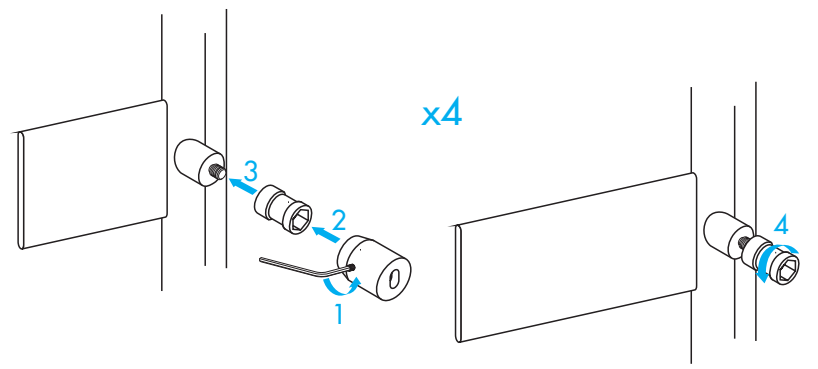
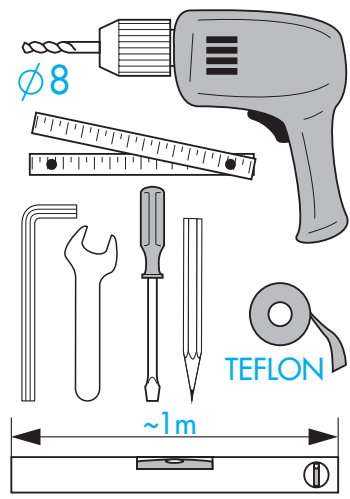
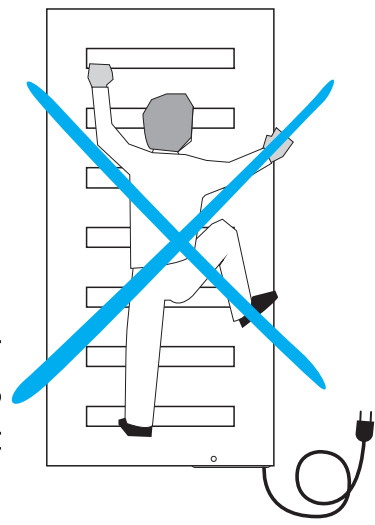


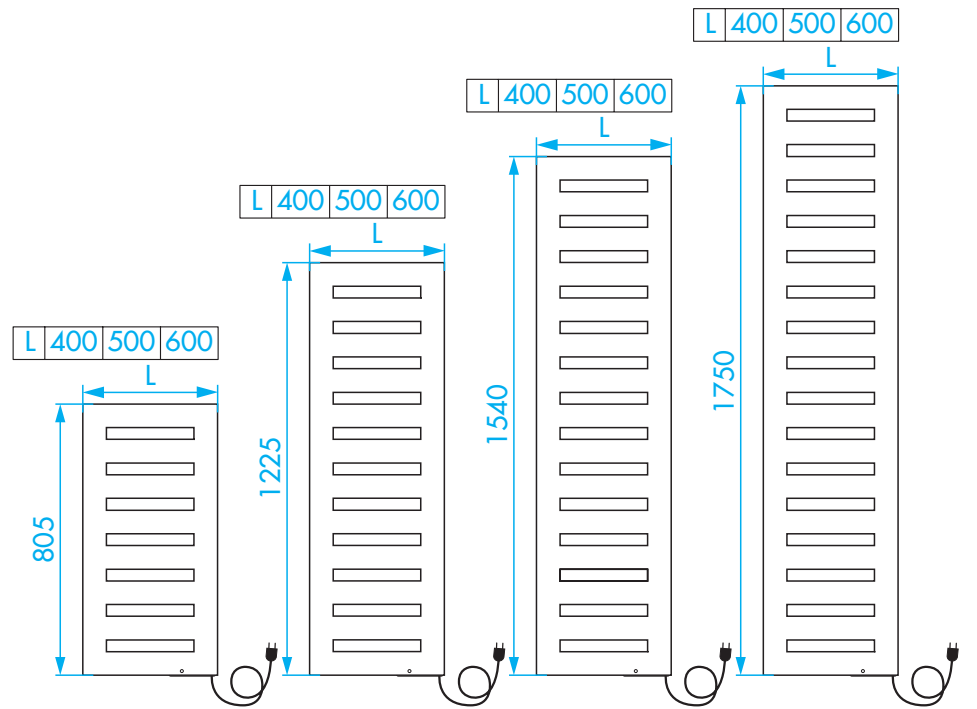
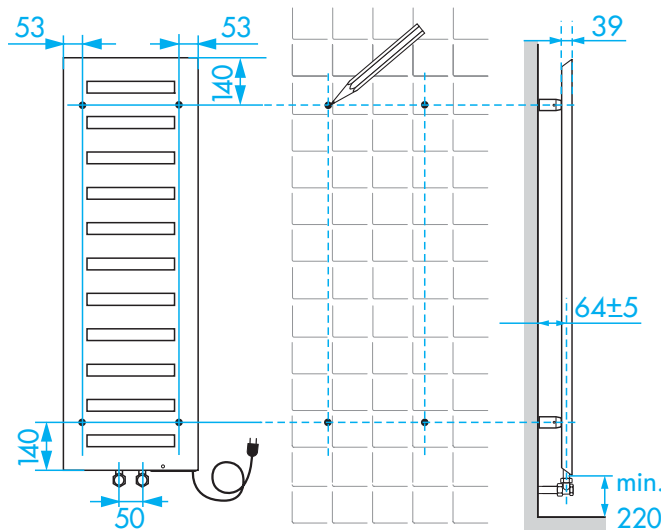
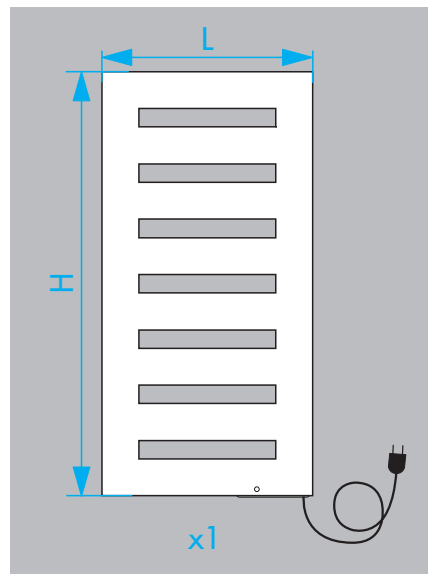
231109



© Copyright by PBO 11/09



TYPE T080-HM



TYPE T081-HM

