



zehnder

■ Decorative radiators ■ Comfortable indoor ventilation ■ Heating and cooling ceilings ■ Industrial air cleaning

Zehnder ComfoAir Q

World-class performance for sustainable homes

Product brochure

always the best climate



Zehnder offers sustainable, healthy and comfortable indoor climate solutions for ventilation and heating all over the world. The advanced features and high-quality performance of Zehnder ventilation units maximise control, convenience and energy efficiency. Their durability, longevity, quiet operation and easy maintenance make Zehnder units an excellent choice for both residential and commercial applications – and a guarantee for a perfect indoor climate all year round.



Zehnder ComfoAir Q

Perfect ventilation

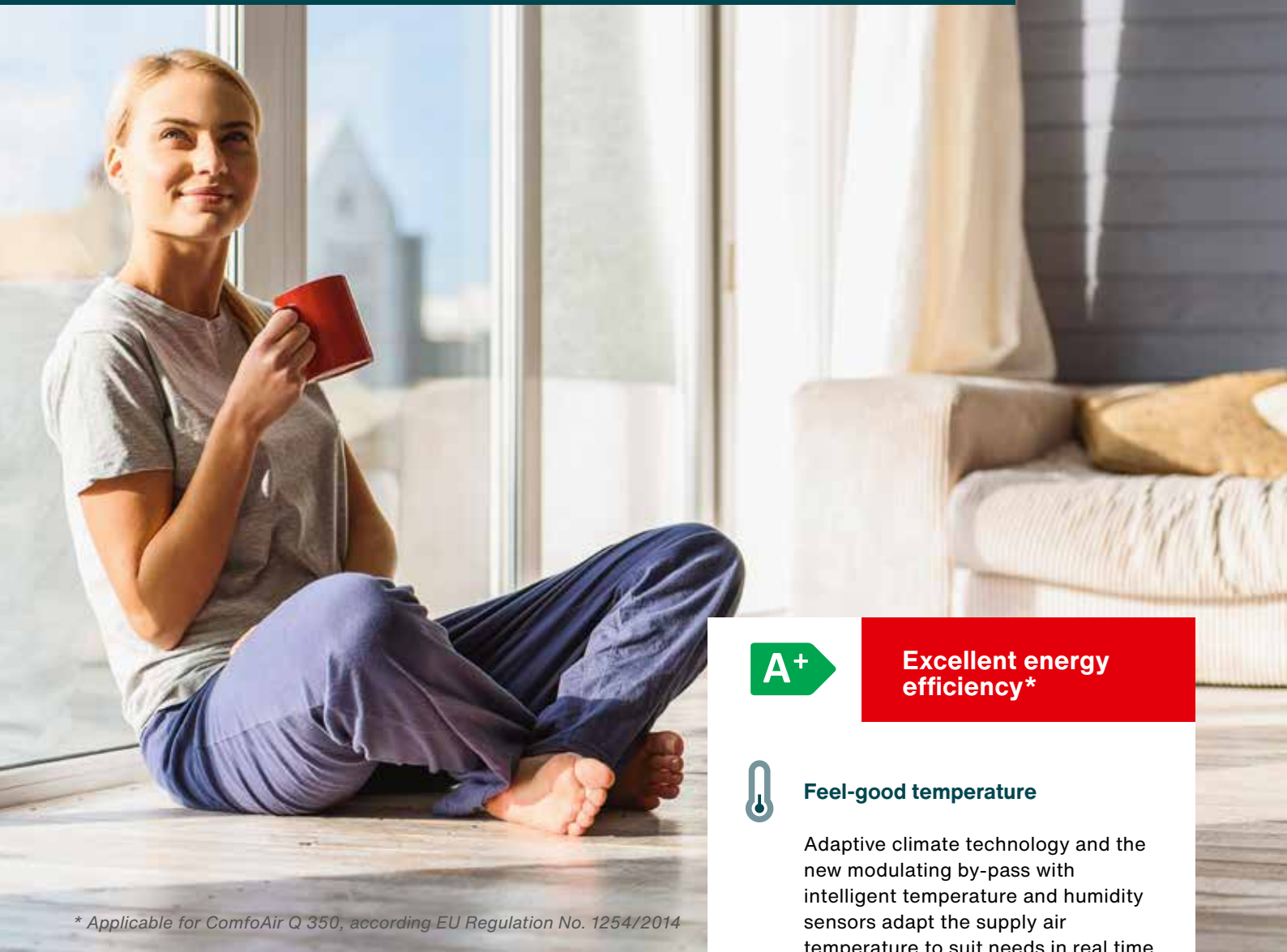
Outstanding ventilation performance for any property size – that's exactly what the flexible Zehnder ComfoAir Q ventilation unit with heat recovery offers with ease. Highly efficient and thus energy-saving and cost-effective, Zehnder ComfoAir Q provides optimum home comfort with quiet operation. With comprehensive expansion possibilities, it lays the foundation for an excellent indoor climate experience.

Modern properties are built to be as energy-efficient as possible. However, effective thermal insulation and an almost airproof building envelope prevent the sufficient exchange of fresh air. Optimised indoor ventilation with Zehnder ComfoAir Q is therefore the perfect solution to sustainably preserve both the health of the occupants and the building structure.



Exalted comfort for satisfied customers

Your customers expect the highest standards in terms of well-being and energy efficiency. With Zehnder ComfoAir Q, you provide them with the ultimate solution. The innovative ventilation unit contributes significantly to comfortable indoor ventilation, is quiet and efficient in operation, ensures healthy, dust-free air and protects against excessive humidity. This leads to a perfect feel-good climate at state-of-the-art ease of use – and finally, maximum customer satisfaction.



Excellent energy efficiency*



Feel-good temperature

Adaptive climate technology and the new modulating by-pass with intelligent temperature and humidity sensors adapt the supply air temperature to suit needs in real time.

** Applicable for ComfoAir Q 350, according EU Regulation No. 1254/2014*

Thanks to its innovative performance-focused design, Zehnder ComfoAir Q provides optimum comfort levels throughout the year.

Nowadays, we spend an average of 90 % of our time indoors. For health and living quality, the indoor climate is therefore a decisive factor.



Increased well-being and health

Powerful filters and CO₂ sensors ensure optimum hygiene and draught-free air with a high oxygen content. Operation is practically silent – for unrivalled comfort and restful sleep.



More energy and cost efficiency

As the market leader in its class, Zehnder ComfoAir Q exceeds today's high energy standards. Passive House certified and with an A+ label, the unit is the most future-proof solution for your customers.



Long-term value preservation

Balanced humidity prevents the formation of mould and protects the building structure. This not only ensures a higher living standard and fewer customer complaints, but also preserves the property's value in the long run.

- ✓ **Healthy, balanced indoor climate**
- ✓ **Reliable protection against pollen, fine dust and other contaminants**
- ✓ **Energy savings of up to 94 %* thanks to maximum heat recovery**
- ✓ **Significant reduction of noise, power consumption and associated costs**
- ✓ **Easy operation, intuitive handling**



Nothing can go wrong during planning and installation thanks to professional support from Zehnder.

Simplicity from design to maintenance

Zehnder ComfoAir Q is simple to plan and install as well as convenient to set up and operate. Plug-and-play installation, guided commissioning, easy maintenance and remote monitoring make your work enjoyable in every respect and are guaranteed to leave you with satisfied customers – not to mention Zehnder's quality guarantee, technical expertise and first-class support.



Planning advice

Zehnder assists you in every planning phase of your indoor ventilation project. The fulfilment of modern building standards such as optimum energy efficiency and the best sound insulation are always taken into account. Make use of our planning tool ComfoPlan+ to simply enter building details and get tailored planning data in no time.



Flexible installation

Different models with air volumes of 350, 450 and 600 m³/h flexibly adapt to every project. The connections can be changed from right to left, so that everything fits even if the installation situation changes. Zehnder products are perfectly harmonised and self-explanatory. Full interface compatibility reduces the risk of incorrect installations.



Easy commissioning

The intuitive display with integrated start-up wizard assists you in setting up the ventilation system on-site exactly as required. The commissioning process concludes with an automatic system test and confirmation. This allows you to put the ventilation unit into operation easily, quickly and safely.

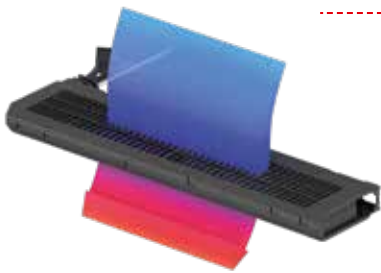


Simple maintenance

Maintenance can be done both manually and remotely. Via the Zehnder web portal or the Zehnder ComfoControl App, you can monitor the current status of the ventilation flowrates, temperatures, filters and external sensors. That allows you to plan ahead better. Of course, all components of the ventilation unit are easy to access, clean and replace.

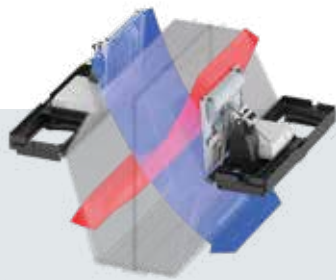
Reliably meeting future requirements

Zehnder ComfoAir Q conveniently unites innovative technology and durable components of market-leading quality in a unique device. This intelligent ventilation unit perfectly combines optimum comfort and healthy air quality with low power consumption and maximum energy efficiency at ultra-quiet noise levels. The result: a high-quality, sustainable indoor climate solution, based on reliable technology – and therefore a safe choice with regard to future standards.



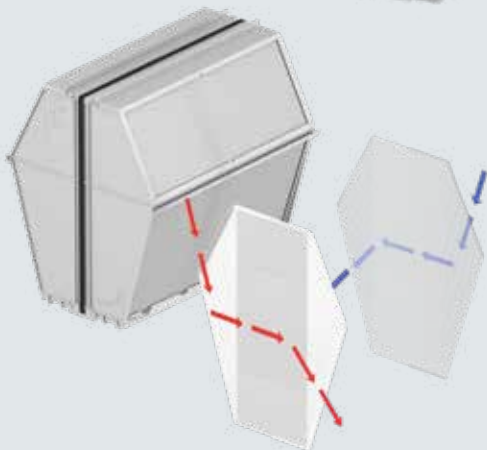
Intelligent air temperature control

The pre-heater adapts perfectly to the temperature, volume flow and air humidity, of the outdoor air, and so ensures an energy-efficient operation, no matter the conditions. Thanks to its large surface and delta shape, the level of pressure loss is negligible.



In-line bypass technology

The modulating by-pass regulates how much heat or cold is transmitted from extract to supply air by the heat exchanger. This automatically ensures the perfect temperature for every season.



Unique, ultra-powerful heat exchanger

Due to its especially large surface, the unique CORE diamond shape heat exchanger achieves a world class heat recovery of up to 94 %*. Variable duct heights ensure a constant flow, lower pressure loss, and therefore less energy required to overcome the air resistance.





Why Zehnder Original filters?

Zehnder Original filters are designed for improved airflow, less harmful particles, and better air quality. By recommending our filters, you help your customers get the best out of their home ventilation systems.

High-performance filters

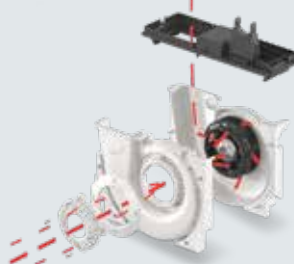
Completely sealed, powerful filters prevent fine dust, pollen and other contaminants from entering the interior. The warning indicator on the display or in the app shows when filters need to be changed – after six months at the latest. The indicator factors in not only the elapsed time, but also the air volume filtered.

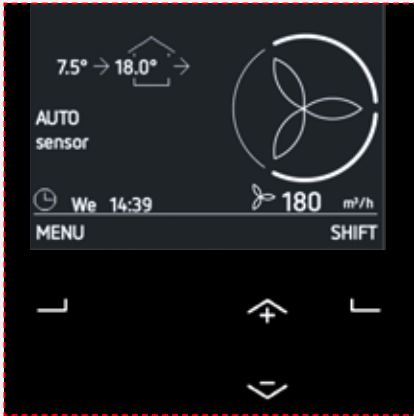
Innovative air volume balancing

The patented sensor technology Flow Control automatically ensures a balanced ratio of supply and extract air volume and thus guarantees maximum heat recovery. During commissioning, you save time as the speed is also adjusted automatically.

State-of-the-art fan technology

The use of patent-pending, perfectly harmonised components guarantees not only reliable, but also extremely quiet operation. The flow grid, scroll housing and ebm-papst RadiCal impeller ensure the best possible airflow. This results in energy-saving operation with particularly low power consumption.





Display

Choose your ventilation speed, program a scheduler, adjust the unit settings or check for error messages.



On the device



Always in control with Zehnder ComfoAir Q

- ✓ Convenient operation due to various control options
- ✓ Simple performance monitoring via smart sensors
- ✓ Easy maintenance that can also be monitored remotely

Easy operation from switch to app

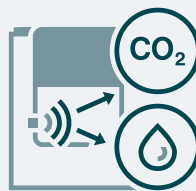
Give your customers the right operating solution whatever their needs. The extensive range of possibilities includes anything from a simple display direct on the unit to fully automatic demand-controlled sensor technology ventilation – and even a practical mobile app for when you're on the move. Want to integrate ComfoAir Q into a building control system? No problem via the KNX interface. The Zehnder operating and control concept offers you complete freedom of choice: anything is possible.



Switch



**Zehnder ComfoSwitch C
ComfoSense C**
Choose your ventilation speed and clear the air with the boost functionality.



Zehnder CO₂/Humidity Sensor
The unit automatically adjusts to ensure optimal air quality at all times.



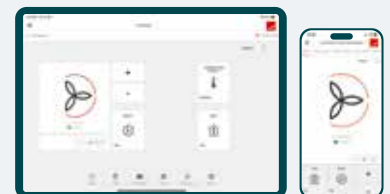
App



ComfoConnect Pro
Easily connect your unit to your WiFi/LAN so you can manage it wherever you are.



Zehnder ComfoControl App
Download the app and adjust your unit settings using your smartphone.



Scan here and download
Zehnder ComfoControl App!



Interface



ComfoConnect Pro KNX
Easily integrate your unit into a building control system via the KNX interface.



Accessory interface
Control your unit in a convenient way via the building control interface.



Zehnder ComfoAir Q Comfortable indoor ventilation unit

The complete ComfoAir Q product range is available in different air volumes (350, 450 and 600 m³/h) and with various control and operating options, making it suitable for any kind of building: single- or multi-family houses, new builds or renovations.



Zehnder ComfoFresh Air distribution system

ComfoFresh can be incorporated into ceilings, walls and floors using round tubes, flat tubes, or a combination of the two – a sophisticated system with perfectly matched components for every installation situation. ComfoPipe outdoor and exhaust air connections come with optimum insulation.

Complete solutions with perfect integration

With Zehnder comfortable indoor ventilation, you provide your customers with a tried-and-tested complete system that works for both new builds and renovations. The wide product range enables individual and modular state-of-the-art solutions. With perfectly matched system expansions and air distribution components, Zehnder ComfoAir Q can be easily and harmoniously integrated into the overall indoor ventilation system.

+ OPTIONAL



Zehnder ComfoFond-L Q Sub-soil heat exchanger

Easy and sustainable: Optional ComfoFond-L Q provides pre-heated outdoor air in winter and tempered outdoor air in summer, while saving energy by using renewable geothermal energy from the ground.

+ OPTIONAL



Zehnder ComfoClima Pre-tempering

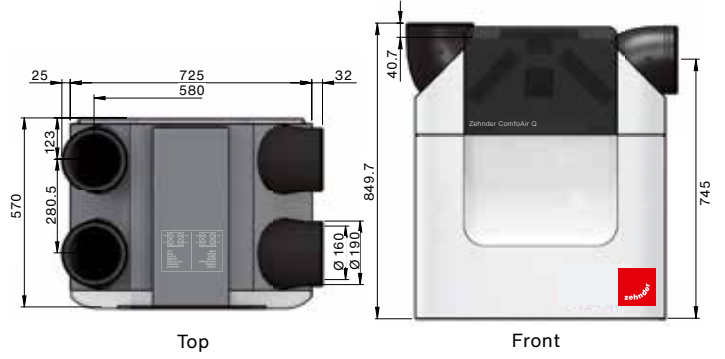
Healthy and pleasant temperature throughout the year: ComfoClima tempers and dehumidifies the outdoor air, ensuring fresh, hygienic and pleasant tempered indoor air in any season, even on hot days.



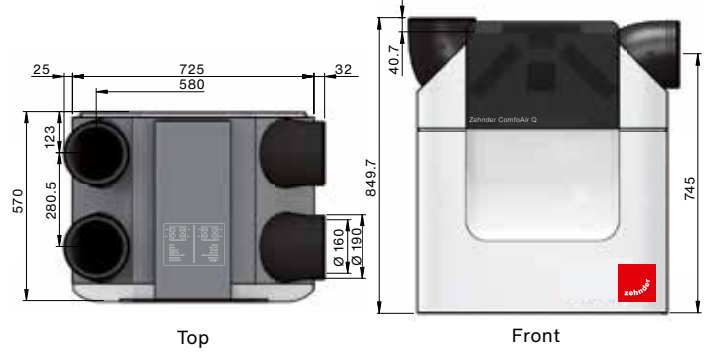
- Outdoor air
- Supply air
- Extract air
- Exhaust air



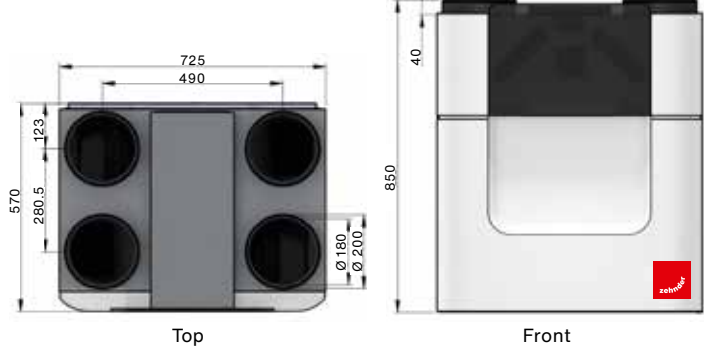
Zehnder ComfoAir Q350 TR



Zehnder ComfoAir Q450 TR

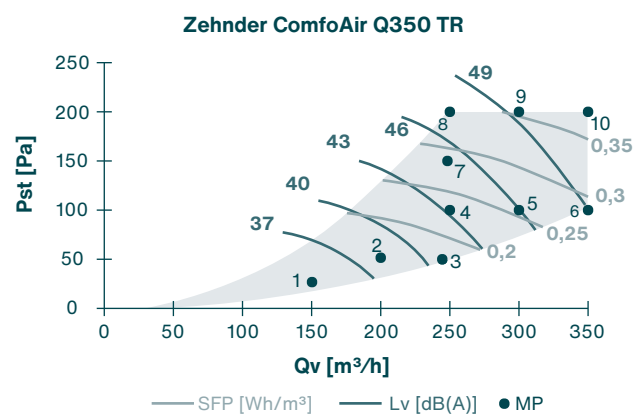


Zehnder ComfoAir Q600 ST

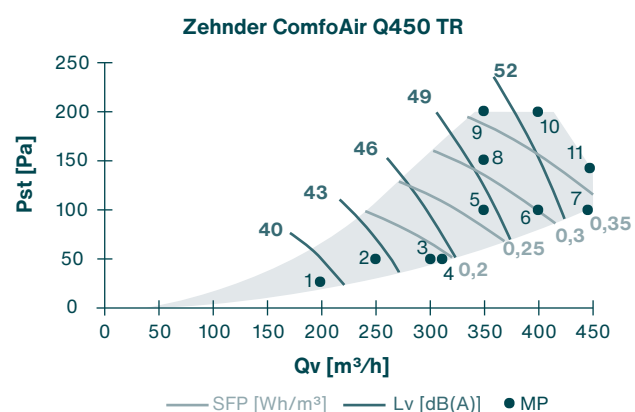


Technical data

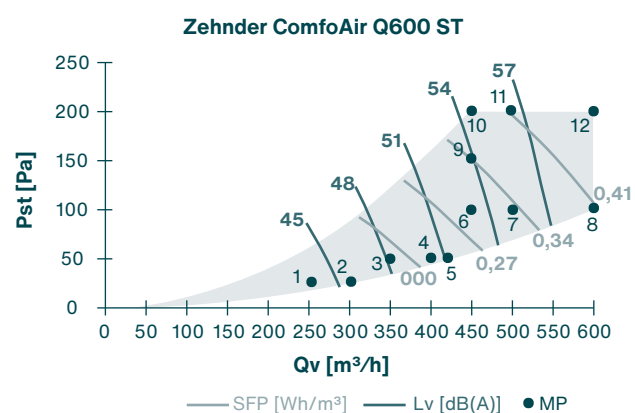
Zehnder ComfoAir Q350 TR ²	MP	Qv [m ³ /h]	Pst [Pa]	P [W]	L _w ¹ Supply air [dB(A)]	L _w ¹ Extract air [dB(A)]	L _w ¹ Unit emission [dB(A)]
	1	150	25	13	46	35	34
	2	200	50	30	51	38	38
	3	245	50	42	54	41	41
	4	250	100	58	56	43	43
	5	300	100	77	59	46	46
	6	350	100	100	62	48	49
	7	250	150	71	58	45	45
	8	250	200	85	61	47	47
	9	300	200	106	63	49	49
10	350	200	131	66	51	52	



1	200	25	17	52	42	39
2	250	50	37	56	44	42
3	300	50	55	58	46	45
4	315	50	61	59	46	45
5	350	100	94	62	48	48
6	400	100	121	64	50	51
7	450	100	152	67	52	53
8	350	150	110	63	49	49
9	350	200	127	64	50	51
10	400	200	156	67	51	53
11	450	140	166	68	52	54



1	250	25	21	54	43	43
2	300	25	36	56	45	45
3	350	50	64	59	48	48
4	400	50	87	62	50	50
5	420	50	98	63	51	51
6	450	100	134	65	53	53
7	500	100	166	68	55	55
8	600	100	243	73	59	60
9	450	150	153	66	53	54
10	450	200	173	67	54	55
11	500	200	207	70	56	57
12	600	200	287	75	60	61



L_w in dB(A) reference 10⁻¹²W, SFP [w/(m³/h)] calculated using data measured in accordance with EN 13141-7: 2010 | ¹L_w in dB(A); sound, supply air/extract air measured in accordance with ISO 5135:1997 (including end reflection) | ²Zehnder ComfoAir Q with G4/ G4 (ISO Coarse ≥ 65%) filter and pre-heater | MP = Measurement Point

Expert support at every stage

Zehnder assists professionals with first-class service from system design and planning to installation and maintenance. Additionally, we attach great importance to continuous support and further qualification at the Zehnder Academy that goes far beyond a specific ventilation project.

Training

In the practice-orientated and holistic training courses offered by Zehnder, you will learn everything you need to know about heating, cooling and ventilation. At our training locations, at your premises or online via live training or e-learning, we share valuable specialist knowledge on a wide range of topics to make your everyday work easier.

Statutory requirements

Hardly any manufacturers have been awarded as many certificates and design awards as Zehnder. Therefore you can be sure that you always have state-of-the-art technology and that all statutory requirements are met.

Sales Support

We use appealing and informative measures to help ensure your success:

- Extensive range of documentation material to help you maintain a professional appearance
- Consistently keeping you informed about the latest topics, such as the energy efficiency label



Planning

Zehnder offers you valuable expertise right from the planning phase. Easily accessible personal contacts with in-depth expertise and many years of practical experience take care of your concerns directly and provide you with professional technical advice. You can easily request a complete ventilation concept from the Zehnder specialist department.

Service

You can rely on our support at all times, even after the construction phase has been completed. As our partner, you enjoy ongoing support, assistance in the event of a warranty claim or further supporting materials.



Further questions?

We're happy to help!
Get in touch with us using the contact details or visit our website.

T +49 7821 586-392
sales.international@zehndergroup.com
www.international.zehnder-systems.com

FAQ



What do I need to consider when planning and ordering?

As three ventilation units are available, each with a different air volume, you can design a ventilation system to suit your project perfectly. Sudden changes to the original plans as far as connectors are concerned are no problem at all, because the Zehnder ComfoAir Q design incorporates the right-hand and left-hand version in the same unit.

ComfoAir Q offers so many functions. Doesn't this complicate commissioning?

No, because the Zehnder ComfoAir Q menu has an integrated commissioning wizard that helps you set up the ventilation system exactly as required in three steps. The fan speed is also controlled fully automatically by sensors, meaning you do not need to make any extra adjustments.

How can the build-up of dirt in the ducting be prevented?

Both the incoming supply air and the extract air are passed through filters to prevent dirt from entering the ducts. The filters are easily removed for cleaning or replacement. The ducting itself has a patented smooth surface to prevent build-up. Additionally, specialised tools are available to clean the ducting periodically to ensure that it remains clean and hygienic.

**Any other questions?
This is how you can reach us**

T +49 7821 586-392
sales.international@zehndergroup.com

www.international.zehnder-systems.com

always the best climate

Our mission is to provide a healthy indoor climate with top quality solutions. Living spaces are kept at a comfortable temperature by our radiators and heating & cooling ceilings whereas our ventilation solutions make sure that you can breathe fresh clean air 24/7.

zehnder

- Decorative radiators ■ Comfortable indoor ventilation
- Heating and cooling ceilings ■ Industrial air cleaning



global presence in over 70 countries

Your global partner for indoor climate

Trusted partner

We provide our customers with tailored services from planning to installation of excellent solutions for the best indoor climate since 1895.



Know what's next

Consistent focus on innovation has always been the motor for our business. We strive to provide intelligent solutions for ventilation, heating, and cooling.



Swiss quality and precision

Swiss quality and precision are reflected in all our products. Our design standards create timeless elegance in living spaces for yesterday, today, and tomorrow.



Know why, know how

It is our ongoing mission to share our expertise and know how with our customers by providing expert trainings. Our dedicated Zehnder academies bring indoor climate to life.



