

Charleston SMB

DE Montageanleitung

GB Assembly Instructions

FR Instructions de montage

IT Istruzione di montaggio

ES Instrucciones de montaje

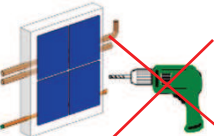
RU Монтажная инструкция



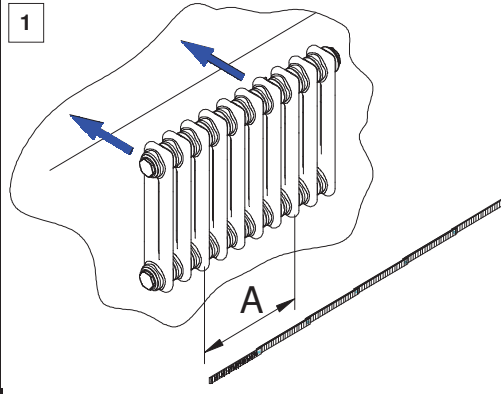
Original mounting instruction 10/2011 PLA
 Technische Änderungen vorbehalten Rev. 1 Artik. Nr. D 20057
 Technical modifications are subject to change



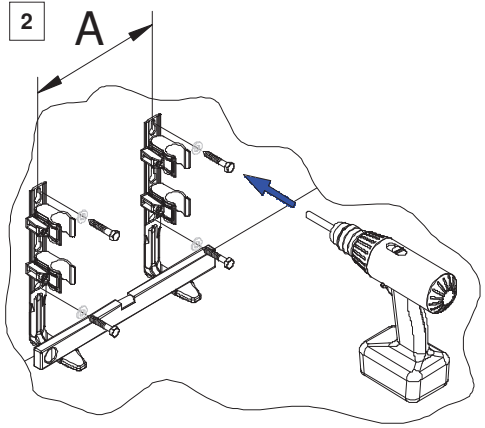
Oberfläche schützen!
Protect surface!
Protégez la surface!
Proteggi superficie!
¡Proteja la superficie!
Берегите поверхность



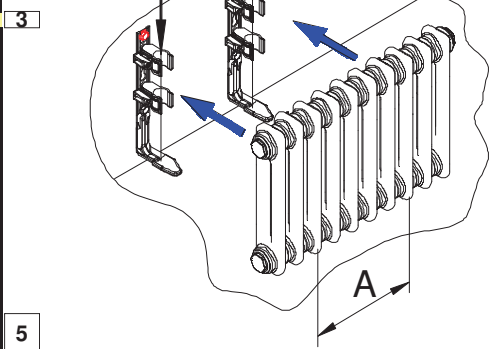
1



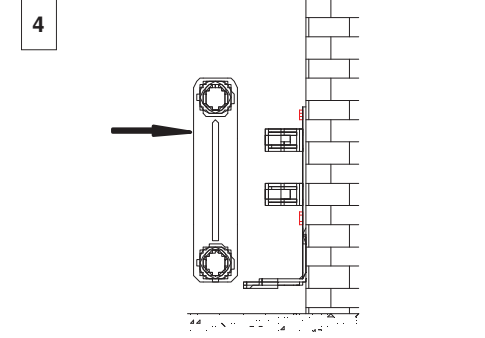
2



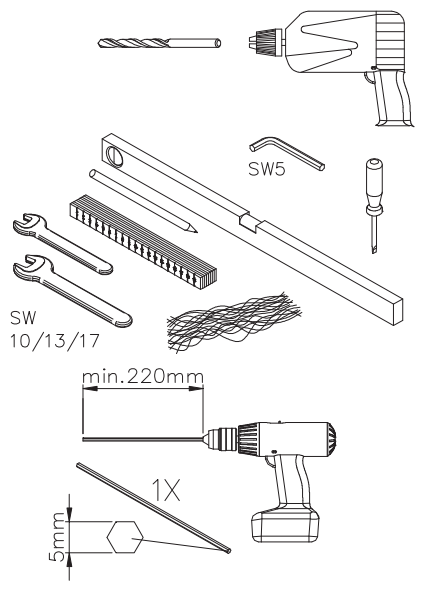
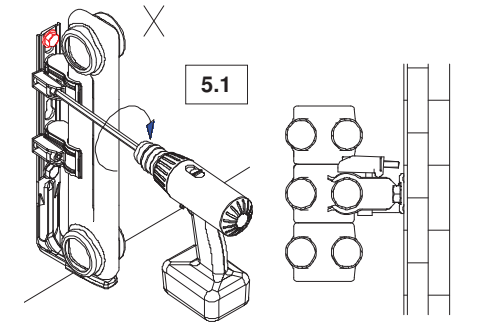
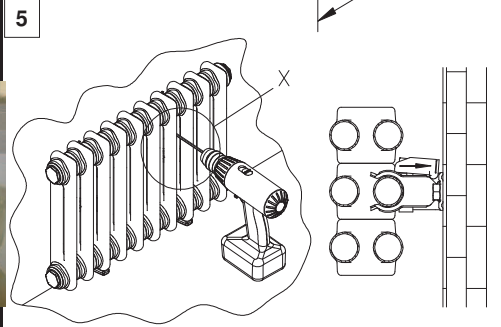
3



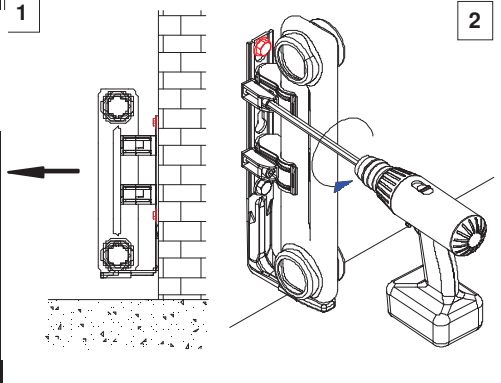
4



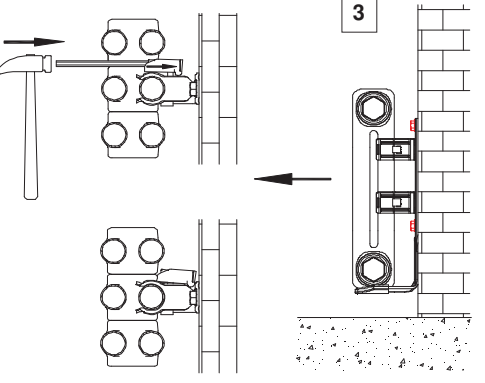
5



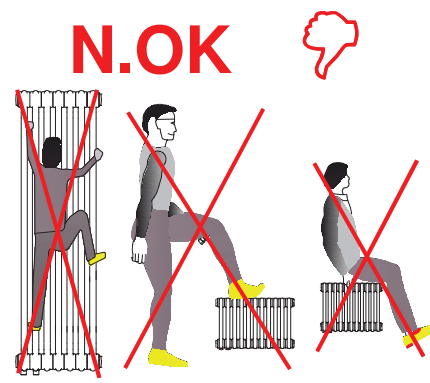
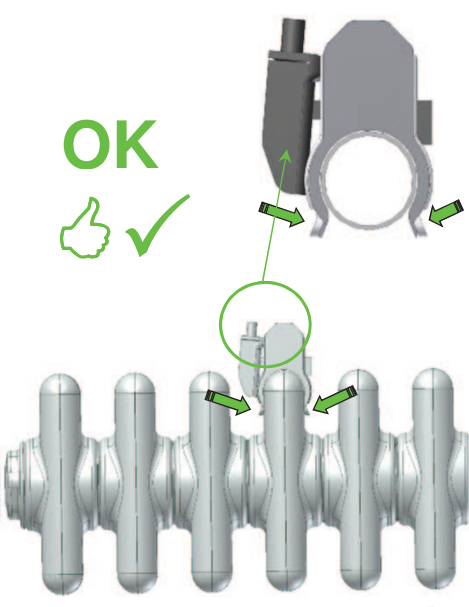
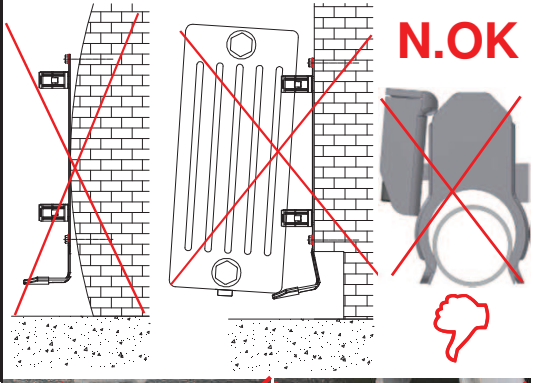
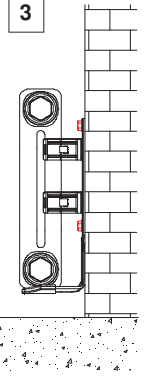
1



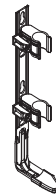





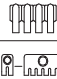
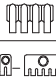
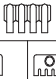

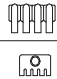
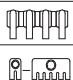
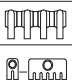
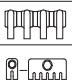
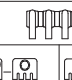
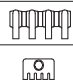


2

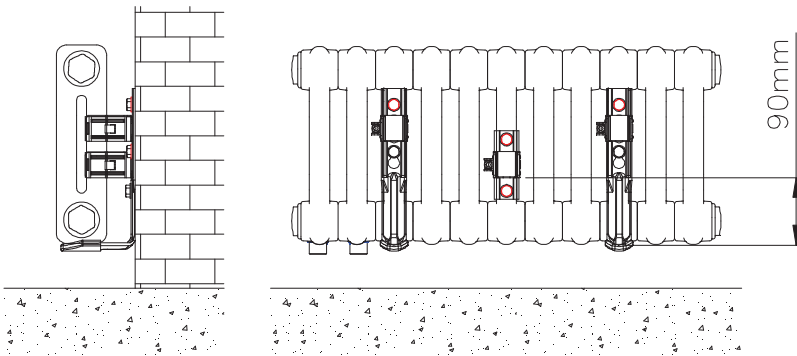


3

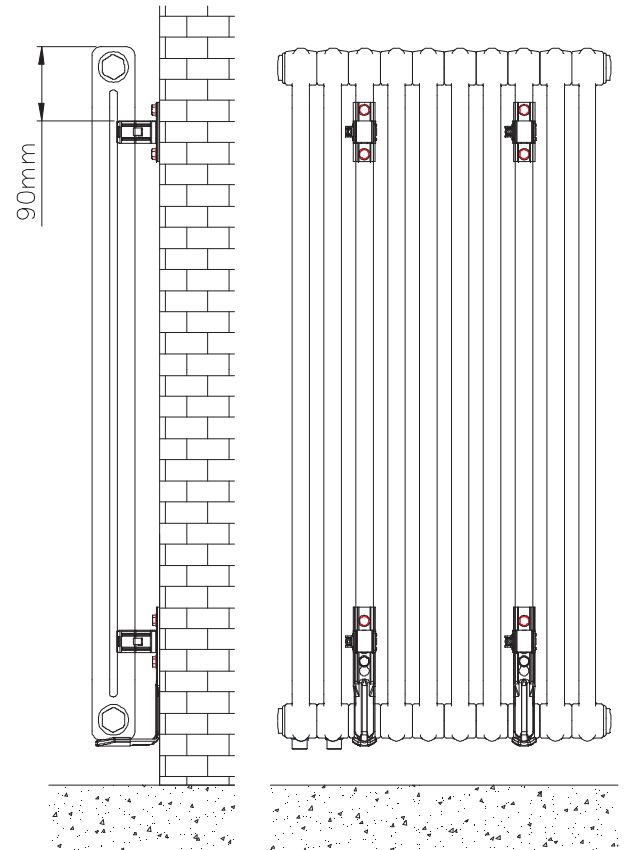


H mm	245-299	300-369	370-484	485-679	680-1000	1001-1500	1501-2200	2201-3000			
	SMB2T	SMB30	SMB40	SMB50	SMB75	SMB2T	SMB2T	SMB2T			
	max. 100kg	max. 100kg	max. 100kg	max. 100kg	max. 100kg	max. 100kg	max. 100kg	max. 100kg			
											
Model											
2xSMB	4-22 El.		4-22 El.		4-22 El. 4-15 El.		4-11 El. 4-10 El.		4-8 El. 4-8 El.		4-8 El.
3xSMB	23-39 El.		23-39 El.		23-39 El. 16-29 El.		12-21 El. 11-16 El.		9-15 El. 9-14 El.		9-12 El.
4xSMB	40-50 El.		40-50 El.		40-55 El. 30-42 El.		22-31 El. 17-21 El.		16-22 El. 15-19 El.		13-17 El.
5xSMB	51-60 El.		51-60 El.		56-65 El. 43-55 El.		32-41 El. 22-27 El.		23-29 El. 20-24 El.		18-21 El.
Model											
2xSMB	4-16 El.		4-16 El.		4-14 El. 4-10 El.		4-11 El. 4-8 El.		4-8 El. 4-7 El.		4-7 El.
3xSMB	17-27 El.		17-27 El.		15-27 El. 11-20 El.		12-21 El. 9-15 El.		9-15 El. 8-12 El.		8-12 El.
4xSMB	28-40 El.		28-40 El.		28-40 El. 21-30 El.		22-31 El. 16-22 El.		16-22 El. 13-16 El.		13-16 El.
5xSMB	41-55 El.		41-55 El.		41-55 El. 31-38 El.		32-41 El. 23-27 El.		23-29 El. 17-20 El.		17-20 El.

SMB2T H=245-299mm



SMB2T H=1001-3000mm



SMB30/40/50/75

