

Zehnder EVO 2

EN Installer Manual
DE Montageanleitung
IT Manuale installatore

ET Paigaldusjuhend
LT Montuotojo vadovas
LV Uzstādītāja rokasgrāmata



EN

DE

IT

ET

LT

LV

EN Installer Manual

1.	Table of Contents	
1.	Introduction	3
1.1.	Using the Zehnder EVO 2 unit	3
1.2.	Warranty conditions	3
2.	Introduction and safety	3
2.1.	Introduction	3
2.2.	Safety	4
2.3.	Installation conditions	4
2.4.	Guidance for properties with fireplaces	5
2.5.	Compliance	5
3.	Transport and delivery	5
3.1.	Transport safety guidance	5
3.2.	Checking the delivery	5
3.3.	Unpacking the ventilation unit	6
4.	EVO 2 unit characteristics	6
4.1.	Connections	6
4.2.	Modifying the model from “factory version” to “mirror version”	7
4.3.	Blow-up diagram of the unit	7
4.4.	Technical specifications	8
4.5.	Electric preheater models EVO 2 HRV PR and EVO 2 ERV PR	8
4.6.	Energy efficiency classes	8
4.7.	Performance graphs	9
4.8.	Working points	9
4.9.	Enthalpy heat exchanger operating principle	9
4.10.	Acoustic data	10
5.	Installation	10
5.1.	Dimensions	10
5.2.	Preliminary assessments	10
5.3.	Installation	11
5.4.	Ceiling-mounting	11
5.5.	Wall-mounting	12
5.6.	Positioning the connections	14
5.7.	Connecting the condensate drain	15
6.	Electrical connections	16
7.	Controls and connectivity	18
7.1.	Zehnder Multi Control	18
7.2.	Zehnder EVO Sense wireless	18
7.3.	Zehnder EVO Switch RF	18
7.4.	RF CO ₂ sensor	18
7.5.	RF humidity sensor	18
7.6.	Smart connectivity	19
7.6.1.	EVO Connect ModBus	19
7.6.2.	EVO Connect ModBus-KNX	19
8.	Commissioning	20
9.	Operation	20
9.1.	Operation of the bypass	20
9.2.	Frost protection safety device	20
10.	Maintenance procedure	21
10.1.	Air filter maintenance	21
10.2.	Cleaning the ventilation unit	22
11.	Overview of the unit and description of the components	25

EN

DE

IT

ET

LT

LV

1. Introduction

Warning!



Read this manual carefully prior to installation and commissioning.




This document provides support for the safe, optimal installation, commissioning and maintenance of the Zehnder EVO 2 controlled mechanical ventilation unit.

The Zehnder EVO 2 may be referred to below as the “ventilation unit”.

Since our products are being developed and improved all the time, the unit you have may be different from the descriptions provided here.

The latest edition of the installation manual is available for download from the Zehnder website.

The following pictograms are used:

Symbol	Meaning
	Important note
	Risk of compromised performance or damage of the ventilation system
	Risk of personal injury

!/? Questions

Please contact your local Zehnder representative if you have any questions or would like to order a new document, filters or spare parts, as specified in the Installer manual.

Please contact the responsible Zehnder location in your country*

1.1. Using the Zehnder EVO 2 unit

- The ventilation unit and any control device may only be operated if they have been installed in accordance with current national and local regulations, in accordance with the instructions in this manual and the relevant control manual.
- The unit and control device must not be used by persons (including children) with impaired physical, sensory or mental capabilities or without the necessary experience and skill, unless they are supervised by a responsible person and have received the instructions necessary for safe use.
- Children must not play with the ventilation unit.
- Children must not perform any unsupervised procedures on the ventilation unit.

1.2. Warranty conditions

The unit is covered by a manufacturer's warranty for a period of 24 months after fitting up to a maximum of 30 months after the

date of manufacture. Warranty claims may only be submitted for material faults and/or construction faults arising during the warranty period. In the case of a warranty claim, the unit must not be dismantled without written permission from the manufacturer. Spare parts are only covered by the warranty if they were supplied by the manufacturer and have been installed by an approved installer.

The warranty becomes invalid if:

- The guarantee period has elapsed.
- The unit is used without genuine Zehnder filters or without an external wall grille.
- Parts are used that have not been supplied by the manufacturer.
- Non-authorized changes or modifications have been made to the unit.
- Installation has not been carried out according to the applicable regulations
- The defects are due to incorrect connection, inexpert use, or contamination of the system.

On-site (dis)assembly costs are not covered by the terms of the warranty. This also applies to normal wear and tear. Zehnder retains the right to change the construction and/or configuration of its products at any time without being obliged to alter previously delivered products.

2. Introduction and safety

2.1. Introduction





Zehnder EVO 2 is a controlled mechanical ventilation unit with heat recovery designed to provide constant, energy-efficient air exchange in small buildings, apartments and homes. The ventilation unit extracts moist, stale air from rooms like kitchens and bathrooms and simultaneously delivers the same flow of fresh air to living areas like lounges, bedrooms, etc. Air circulates through gaps under the doors or special transit grilles with silencer.

The controlled mechanical ventilation unit system comprises:

- the ventilation unit;
- ducting for outside air intake and exhaust air from the unit;
- secondary fresh supply air and stale extract air ducting in the various rooms;
- valves and grilles to deliver fresh air to lounges, bedrooms and other living areas;
- valves and grilles to extract stale air from kitchens, bathrooms and other humid areas;
- external wall grilles for air intake and exhaust.








*For UK market please contact:


Zehnder Group UK Limited
 Concept House, Watchmoor Point
 Camberley, Surrey GU15 3AD
 T +44 (0) 1276 605800
 ventilation@zehnder.co.uk
 www.zehnder.co.uk


-  Read the manual before starting to use the ventilation unit.
-  Make sure that the gaps under the doors or the transit grilles are never obstructed to ensure that air circulates through the building.
-  Condensate may form on the outdoor side of the ventilation unit. No action is required if this occurs.
-  The ventilation unit must be disposed of in an environmentally responsible manner. Do not dispose of the device with household waste.


2.2. Safety


Read all safety instructions carefully to ensure safe, correct use of the ventilation unit.

-  **WARNING! Hazardous electric voltage.**
In the event of a natural disaster, disconnect the power supply.
-  **Comply with the safety rules, precautions and instructions provided in this manual. Failure to comply may cause damage to the unit or personal injury.**
-  **Installation, commissioning and maintenance must be performed by specialised engineers unless otherwise specified in the instructions.**
-  **Do not open the ventilation unit. The specialist engineer must ensure that all parts which may cause personal injuries are safely placed inside the unit.**
-  **Unless otherwise required in this manual, keep the unit operating at all times. Otherwise, damp may build up and mould may form.**
-  **Modifying the ventilation unit and its connected control devices is prohibited. Physical or software changes cause the loss of warranty cover and may lead to malfunctions or personal injury.**
-  **If the power cable is damaged, it must be replaced by a specialist engineer authorised by Zehnder.**

 For installation, comply with current national and local regulations and this manual. Install a safety circuit breaker for disconnection of the power supply.

 Always disconnect the ventilation unit from the electrical mains before starting any maintenance or repair work. Make sure that it cannot accidentally restart.

 Do not start up the ventilation unit when open: the electrical voltage and the movement of the fans may cause personal injury.

 Take suitable measures to prevent electrostatic discharges when working on the unit. Static electricity may damage electrical components.

2.3. Installation conditions

The ventilation unit is designed for use in homes, offices, small workshops and similar locations, provided that:

- there are no saunas or swimming-pools;
- humidity levels are not excessive;
- dust levels are not excessive;
- there are no harmful or potentially corrosive substances.


To establish whether the ventilation unit can be used in the intended location, check that:

- an electricity supply of 230 V, 50 Hz is available; any other operating voltage or frequency may cause irreparable damage to the unit;
- room temperatures are within the permitted range at all times (see “Technical Specifications” table);
- the humidity in the room is not excessive, is non condensing and is within the permitted range at all times (see “Technical Specifications” table). Do not install in locations with above-average humidity, such as bathrooms or changing-rooms.

Check that there is sufficient space for the air distribution system in the installation area.

Leave the ventilation unit completely accessible to enable maintenance procedures.

Zehnder EVO 2 can be installed on a wall or ceiling, using the mounting brackets included.

 Refer to the specific section to check out the various installation options.

EN

DE

IT

ET

LT

LV

2.4. Guidance for properties with fireplaces

For safe use of the ventilation unit, the local requirements contained in the relevant regulations, laws and directives must be adhered to. Zehnder EVO 2 can only be installed in places where fireplaces or other combustion systems operating on ambient air are installed if:

- safety devices prevent simultaneous operation of the ambient air fireplaces and air extraction system.

Or

- the outflow of flue gases from the combustion system operating on ambient air is monitored by special safety devices. In the case of combustion systems burning liquid or gas fuels, the combustion system or ventilation system must be shut down if the safety device is tripped. In the case of combustion systems burning solid fuels, the ventilation system must be shut down if the safety device is tripped.

Controlled mechanical ventilation units cannot be installed if the building unit contains combustion systems using ambient air connected to flue gas discharge systems with multiple connections. For correct operation, it must be possible to shut off the combustion air ducts and the flue gas discharge systems of open chamber systems.

It must be possible to extinguish solid fuel fireplaces using a cut-off device which can only be operated manually. The position of the cut-off device must be clear from the position of the control handle. This requirement is met if an anti-soot cut-off device is used (soot-blocking device).

Fire protection requirements: national and local regulations concerning installation and fire protection for the installation of the controlled mechanical ventilation system must be complied with.

2.5. Compliance

The manufacturer's Zehnder EVO ventilation units

Siber Zone S.l.u.



C/Can Marcia 2
08520 Las Frenquesas des Vallés
Apto de Correos n°9
Barcelona, Espana

comply with the directives and regulations of the EU declaration of conformity and the EAC certificate.

3. Transport and delivery

3.1. Transport safety guidance



The permitted temperature range for storage and transport is between -20 °C and +50 °C.



Read the safety information and instructions before transporting the ventilation unit.



Always carry the ventilation unit with the help of another person. The ventilation unit must be handled with care during transportation and unpacking.



The edges of the ventilation unit may be sharp. Wear protective gloves to prevent cuts.

3.2. Checking the delivery

The box contains:

- Zehnder EVO 2 ventilation unit;
- Quick installation guide;
- EcoDesign label;
- Installation brackets;
- Bag containing the anti-vibration joints and fixing screws.

Check the nameplate to make sure that the unit delivered is the right one:

- EVO 2 HRV: unit with heat exchanger;
- EVO 2 ERV: unit with enthalpy exchanger;
- EVO 2 HRV PR: unit with heat exchanger and electric pre-heater;
- EVO 2 ERV PR: unit with enthalpy exchanger and electric pre-heater.



In the event of obvious damage to the ventilation unit or missing accessories, contact the supplier at immediately.

The Zehnder EVO 2 ventilation unit is supplied without adjustment accessories. Refer to the relevant section for the optional accessories.

EN

DE

IT

ET

LT

LV

3.3. Unpacking the ventilation unit

Open the top of the cardboard packaging. Lift the ventilation unit out of the packaging and place it on a clean, soft surface to avoid damaging it.

Keep the cardboard box for use as a template for drilling the holes required during installation of the unit.



Handle the ventilation unit with care. Two people are required to lift the unit. Do not take hold of the unit by the fittings as this may damage them.



Dispose of the packaging material in an environment-friendly way.



Take care not to lose the accessories supplied.

4. EVO 2 unit characteristics

The Zehnder EVO 2 unit is a dual-flow controlled mechanical ventilation unit with performance of up to 87% (Declaration of Performance pursuant to EU 1254/2014), with a maximum ventilation flow rate of 200 m³/h, energy-saving fans and automatic bypass to enable “free cooling”.

EVO 2 unit characteristics:

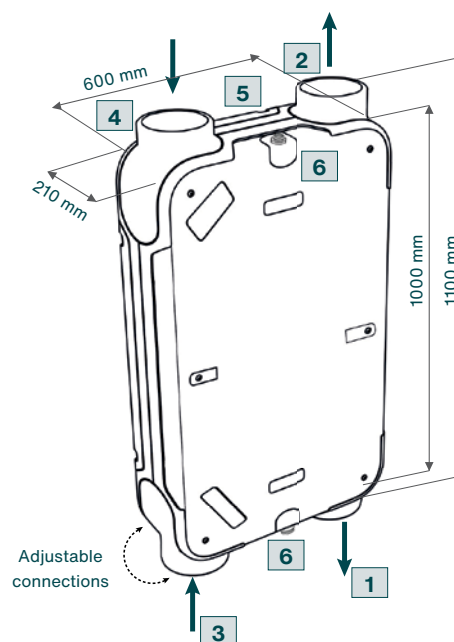
- continual adjustment of air flows via the control panel;
- filter status indicator;
- smart frost protection regulation system to ensure optimal operation even at low temperatures. If the unit purchased is a “PR” version the electric preheater is activated if necessary;
- low noise level;
- automatic bypass included as standard;
- constant flow rate adjustment;
- high performance and low energy use.

Zehnder EVO 2 is available in 4 versions:

- EVO 2 HRV: unit with sensitive heat exchanger;
- EVO 2 ERV: unit with enthalpy heat exchanger;
- EVO 2 HRV PR: unit with sensitive heat exchanger and electric pre-heater;
- EVO 2 ERV PR: unit with enthalpy heat exchanger and electric pre-heater.

These installation instructions apply to all versions of the Zehnder EVO 2 unit.

4.1. Connections



Key to standard “factory version” configuration

Symbol	Meaning
1	Flow of fresh air into apartment
2	Exhaust of stale air outdoors
3	Extraction of stale air from apartment
4	Intake of fresh air from outdoors
5	Electrical connections
6	Condensate drain *

* Connection to the condensate drainage system is necessary for EVO 2 HRV and EVO 2 HRV PR units. Refer to the relevant section for further information.

EN

DE

IT

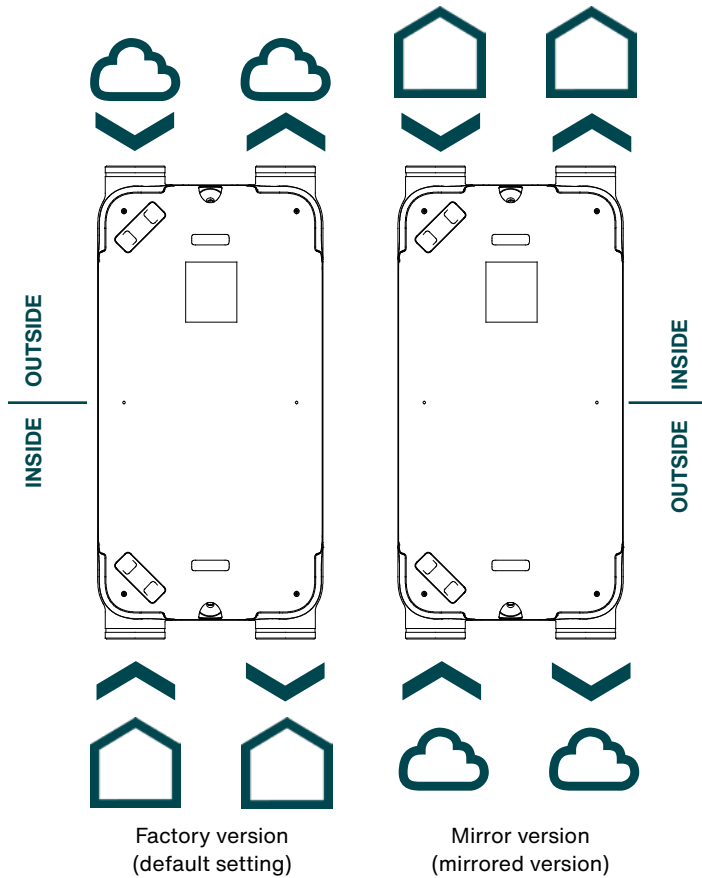
ET

LT

LV

4.2. Modifying the model from “factory version” to “mirror version”

To change the setting from “factory version” to “mirror version” simply place a jumper over connectors 9 and 10.



IMPORTANT!

If the unit is wall-mounted, it can **ONLY** be installed with the electrical connectors facing upward.
 The unit with heat exchanger (HRV) **MUST** be installed with the outside air inlet and stale air outlet connection point facing downward (“mirror version”).

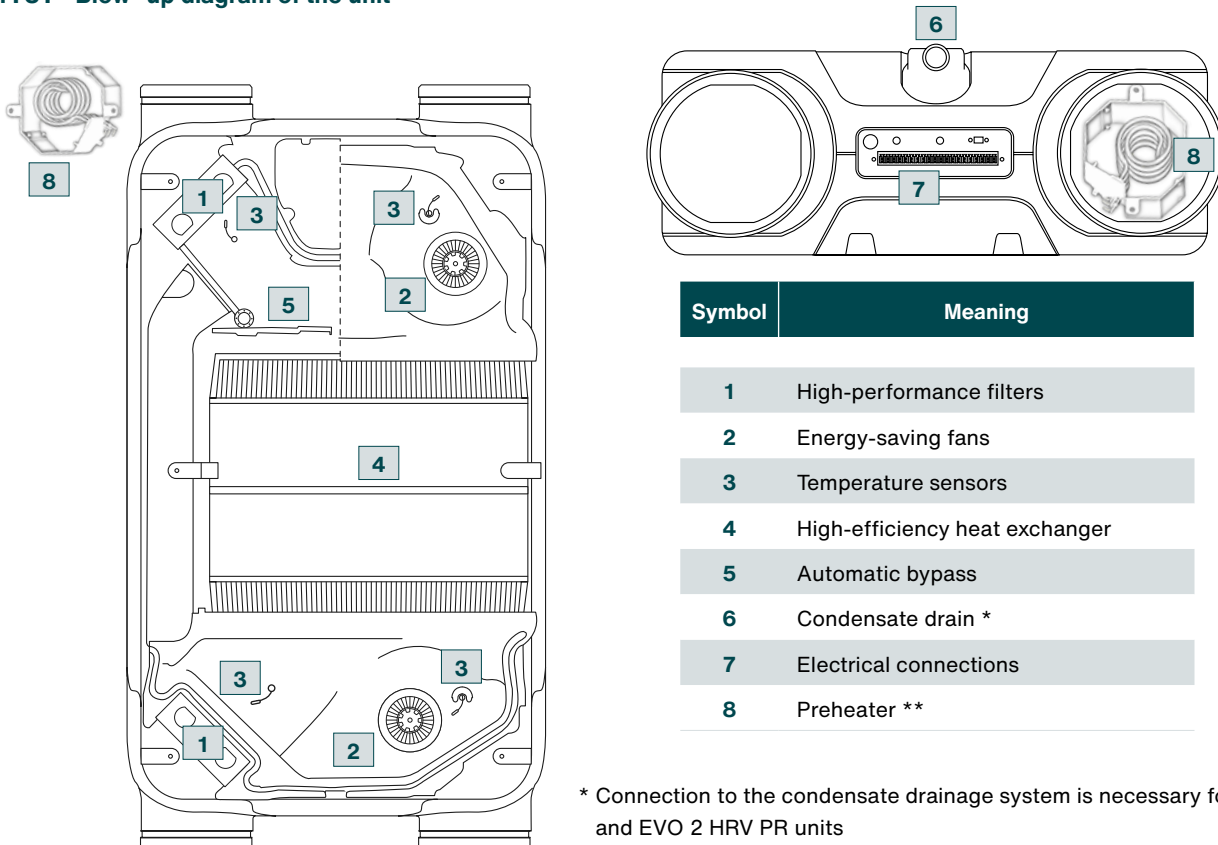
Refer to the relevant section.

IMPORTANT!

Modification of the model from “factory version” to “mirror version” is not possible for models:

EVO 2 HRV PR and EVO 2 ERV PR

4.3. Blow-up diagram of the unit








* Connection to the condensate drainage system is necessary for EVO 2 HRV and EVO 2 HRV PR units

** Included as standard on models EVO 2 HRV PR and EVO 2 ERV PR only

- EN
- DE
- IT
- ET
- LT
- LV

4.4. Technical specifications

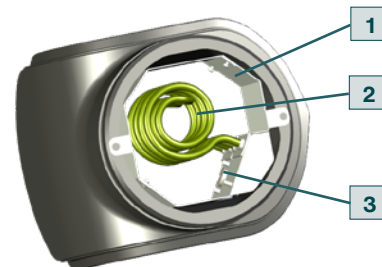
Zehnder EVO 2					
Dimensions (Length x Width x Depth)	1000 x 600 x 210 mm				
Weight	24 kg				
Installation	Horizontally in ceiling or vertically on wall (*)				
Installation ambient temperature range	from 10 to 45 °C				
Installation ambient humidity range	< 90 % non condensing				
Condensate drain connection (Ø)	1/2"				
Size of duct connections (Ø)	Ø 160				
Mains voltage	230 V / 50 Hz				
Maximum air flow rate	200 m ³ /h / 55.56 l/s				
	Zehnder EVO 2 HRV		Zehnder EVO 2 ERV		
Standard filters	2x ISO Coarse 65% (G4) for flow and extract				
Optional filters	ISO ePM1 55% (F7) / ISO Coarse 65% (G4) for flow and extract				
Ventilation mode					
ComfoSense S control	0	1	2	3	Boost
Ventilation default flow rate (m ³ /h)	30	75	100	150	200

(*) See relative section for options and precautions for wall-mounting the unit

4.5. Electric preheater models EVO 2 HRV PR and EVO 2 ERV PR

The electric preheater is installed as standard on EVO 2 HRV PR and EVO 2 ERV PR models, on the outdoor air inlet fitting. It increases the incoming air temperature by 10 °C, protecting the recovery unit on the coldest days of the year.

1. Heating elements in AISI304L stainless steel
2. Power 1.0 kW
3. Automatic cutout at 40 °C prevents overheating



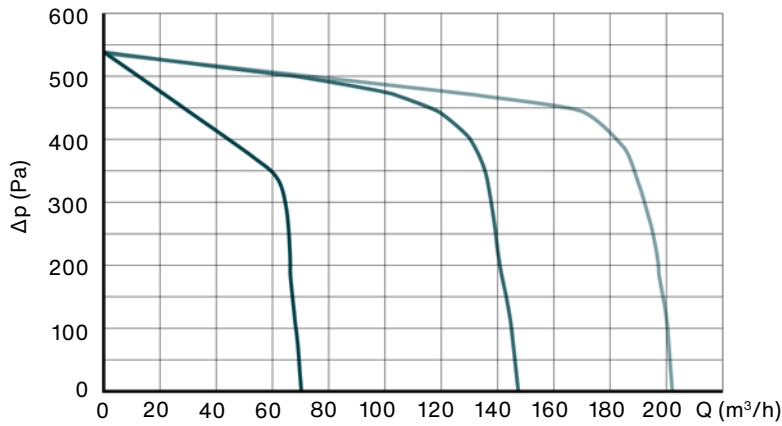
4.6. Energy efficiency classes

Energy efficiency classes in accordance with European Union Regulation no. 1254/2014.

Energy data		Energy data	
EU energy consumption label for EVO 2 HRV		EU energy consumption label for EVO 2 ERV	
Energy efficiency class	A+ **	Energy efficiency class	A+ **
Maximum volume air flow rate [m ³ /h]	200	Maximum volume air flow rate [m ³ /h]	200
Certified energy efficiency	87%	Certified energy efficiency	79%
Sound power level LWA dB(A)	49	Sound power level LWA dB(A)	49

** depending on the control unit/type of sensors chosen.

4.7. Performance graphs

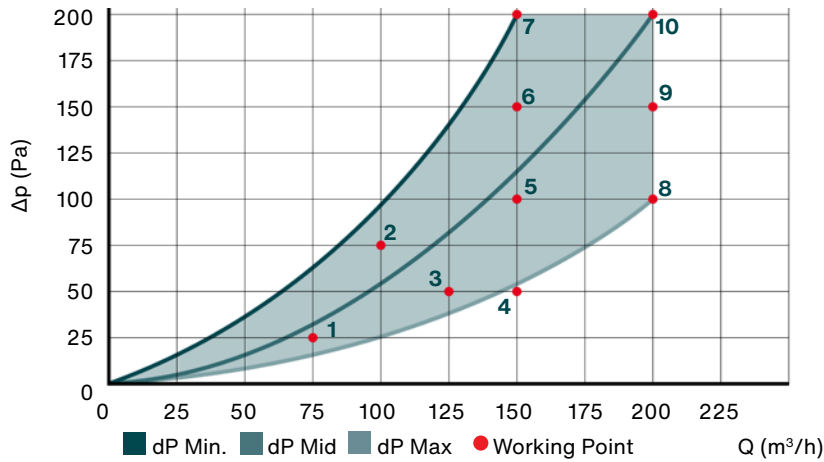


- low fan speed
- average fan speed
- high fan speed

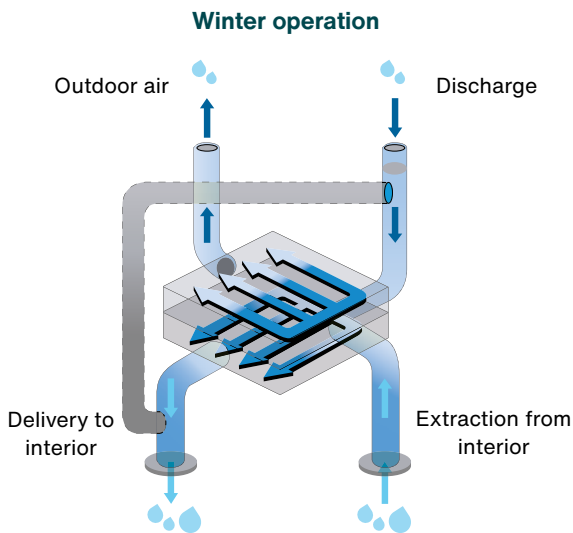
4.8. Working points

Working points

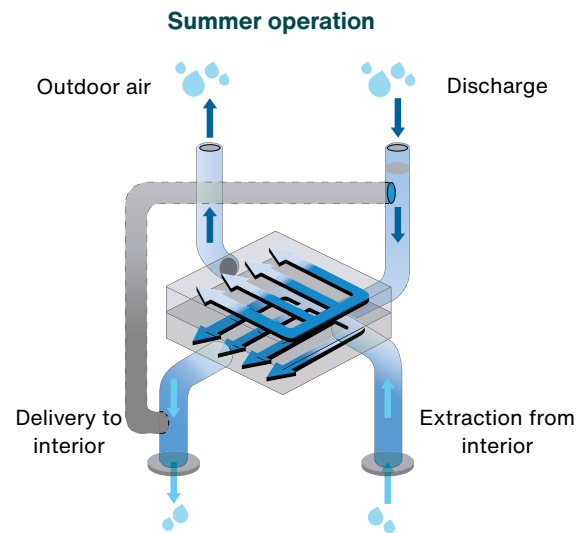
Point	Flow Rate [m³/h]	Pressure [Pa]	Power [W]	SFP [W/l/s]
1	75	25	12.61	0.61
2	100	75	25.31	0.91
3	125	50	29.16	0.84
4	150	50	39.20	0.94
5	150	100	49.65	1.19
6	150	150	60.92	1.46
7	150	200	72.60	1.74
8	200	100	81.33	1.46
9	200	150	93.10	1.68
10	200	200	106.48	1.92



4.9. Enthalpy heat exchanger operating principle



In winter, warm, humid air from kitchens and bathrooms is extracted from the home environment. Inside the heat exchanger, this air meets cold, very dry outdoor air and transfers its warmth and some of its humidity to it. This means that the outdoor air is delivered to the room at a temperature and humidity that maintain the highest level of indoor comfort, without drying the air excessively. The enthalpy heat exchanger helps the heating system to maintain the ideal air temperature in even the coldest weather.



In summer, cool, dehumidified air is extracted from the indoor environment. Inside the heat exchanger, it meets the hot, humid outdoor air, pre-cooling and pre-dehumidifying it. Thus the ventilation unit helps the active cooling and dehumidifying system to maintain indoor comfort, with very low energy use. The enthalpy heat exchanger is ideal for post-treatment of the air, as a dehumidifier in combination with the radiant cooling unit, or for air-conditioning ventilation.

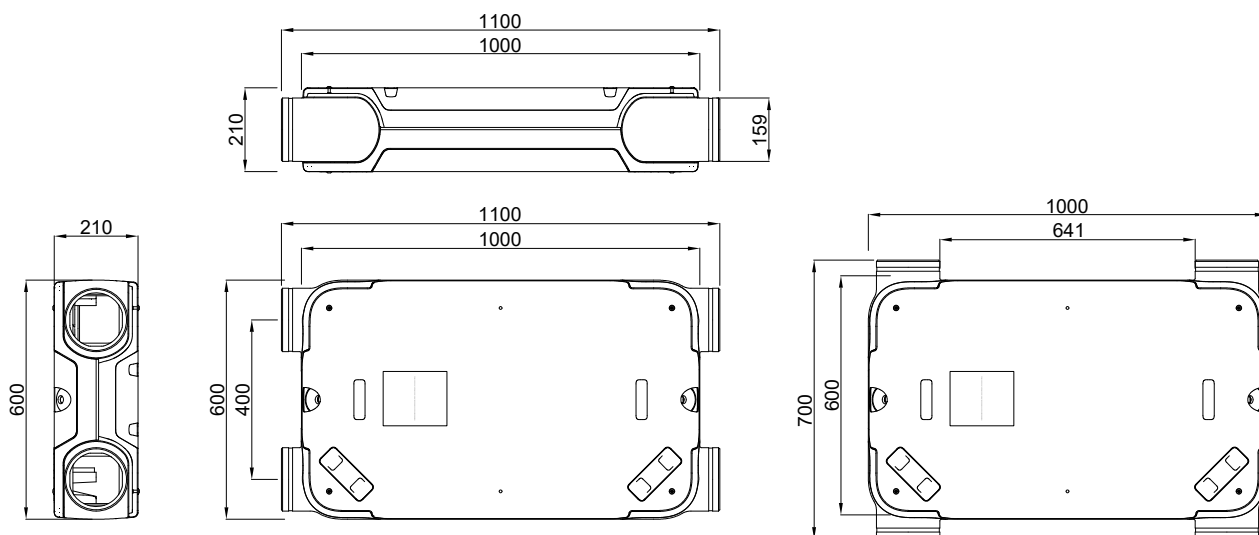
- EN
- DE
- IT
- ET
- LT
- LV

4.10. Acoustic data

Sound levels								
Reference flow rate	m ³ /h	75	125	150	150	200	200	
Reference head	Pa	25	50	50	100	150	200	
Sound power L _w (A)	Case Breakout	dB(A)	33	42	44	46	51	56
	Extract / Intake	dB(A)	34	43	45	48	50	57
	Supply / Exhaust	dB(A)	46	51	59	62	65	66
Sound pressure L _p (A) at 1.5 m	Case Breakout	dB(A)	18	27	29	31	36	41

5. Installation

5.1. Dimensions



5.2. Preliminary assessments



Disconnect the electricity supply before performing any installation or deinstallation procedure.



Make sure that the unit does not come into contact with water or water splashes.



During installation, keep children and pets away from the installation site.



Make sure that enough space is left for maintenance around, in front of and/or underneath the unit.

Two people are needed to install the ventilation unit correctly, without damaging it.

Zehnder EVO 2 can be mounted directly on a wall or ceiling using the mounting brackets supplied.

To avoid vibrations, the unit must be installed on a wall or ceiling with density of at least 200 kg/m²; simply a concrete or metal structure is not sufficient. In this case, additional measures such as dual stiffener plates or additional brackets are required.

The unit must be levelled vertically or horizontally (depending on the installation position) to prevent fan vibration and noise.

5.3. Installation



Do not install outdoors. Check that the temperature and humidity in the installation environment are within the permitted operating ranges at all times.

The ventilation may be installed either horizontal (on ceiling brackets) or vertical (on wall brackets).

If the chosen unit is an EVO 2 HRV or EVO 2 HRV PR, the place of installation must have an effective condensate drainage system with a siphon and sufficient gradient, which must be unobstructed at all times and not subject to frost, to ensure constant correct drainage of condensate.



Make sure that the gradient of the condensate drain is not parallel to or back towards the unit.

If the unit chosen is an EVO 2 ERV or EVO 2 ERV PR, the condensate drain is not necessary.

The installation site must provide sufficient space for both routine maintenance (filter replacement) and extraordinary maintenance (opening of the unit, extraction and cleaning of exchanger and fans, etc.).

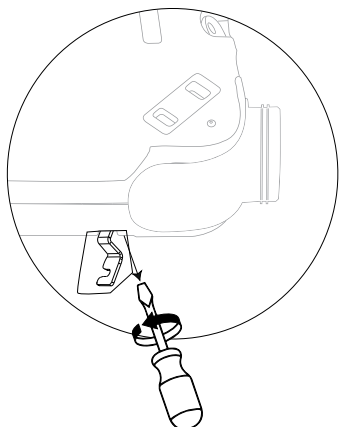


The unit is designed for wall or ceiling mounting. It CANNOT be installed on a floor.

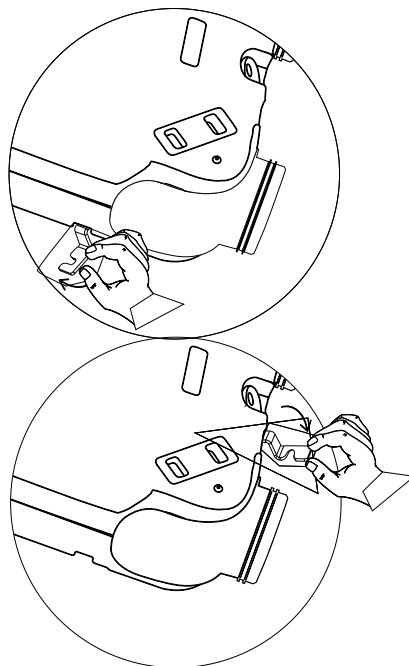
5.4. Ceiling - mounting

1. The unit is supplied with the mounting brackets prefitted on the long side. To move them to the short side, proceed as follows.

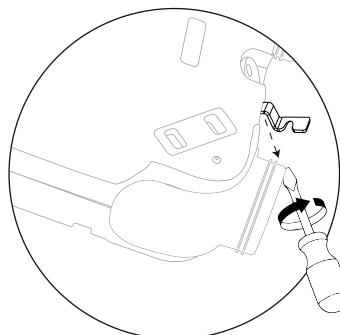
- Unscrew the brackets.



- Move the brackets to the short side, keeping them the same way round.

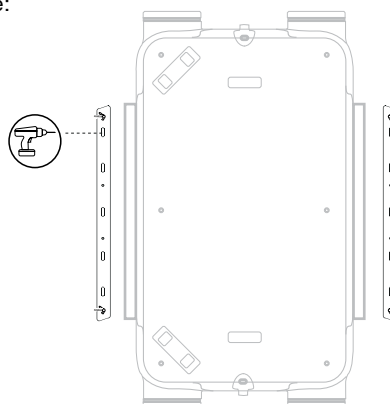


- Screw the brackets in place in the new position.



2. Drill holes in the surface as marked and screw the mounting brackets into the oval holes.

- Long side:



EN

DE

IT

ET

LT

LV

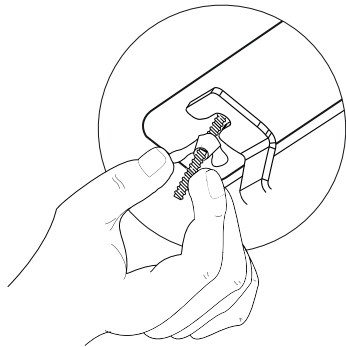
- Short side:



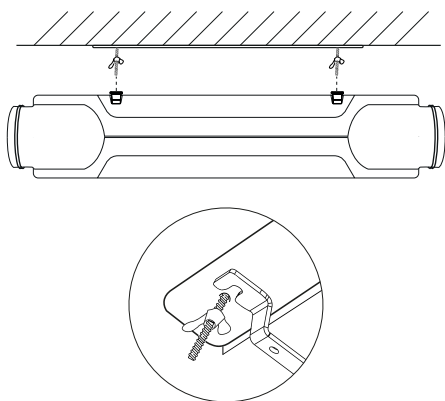
IMPORTANT!

The brackets must be 630 mm apart on the long sides (standard version) and 1,035 mm apart on the short sides.

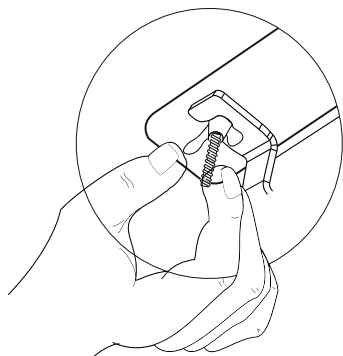
3. Unwind the wing-nuts until they are just 1 cm along the thread.



4. Place the unit on the top of the guide and slide it along until it engages with the threaded bar.



5. Retighten the wing-nuts to secure the unit to the bracket.



5.5. Wall-mounting

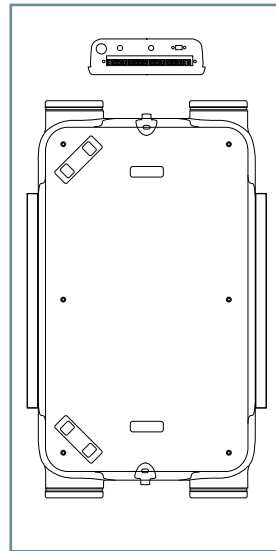


The unit must be installed vertically, and levelled on the vertical plane, to ensure effective condensate drainage.

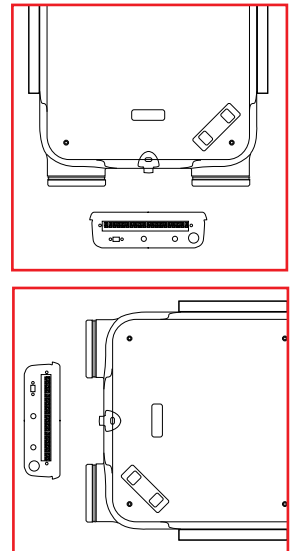


ONLY install with the control circuit board connector facing upward. The unit cannot be installed upside-down, with the connector facing downward.

Correct installation

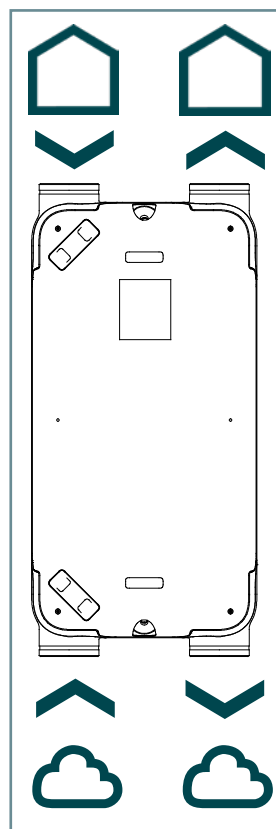


INCORRECT installations

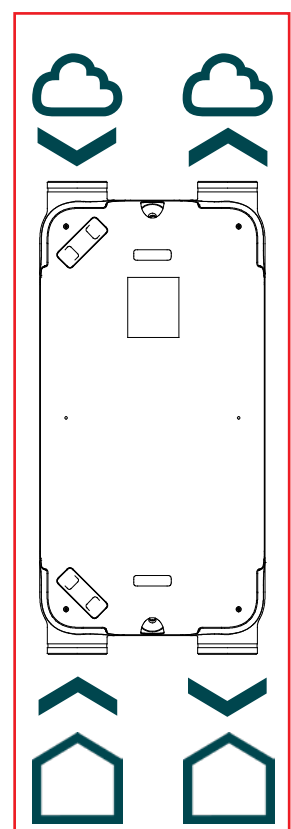


ONLY install the unit with sensitive exchanger (HRV) in "mirror version", with the outside air inlet and stale air outlet connection point facing downward.

Correct installation



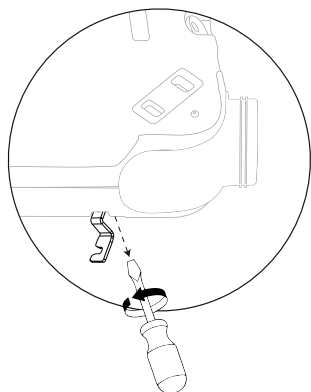
INCORRECT installation



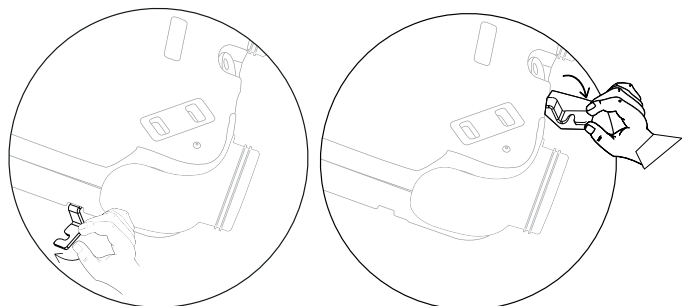
- EN
- DE
- IT
- ET
- LT
- LV

1. The unit is supplied with the mounting brackets prefitted on the long side. To move them to the short side, proceed as follows.

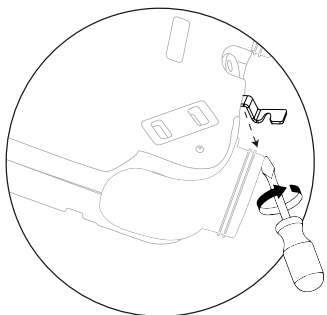
- Unscrew the brackets.



- Move the brackets to the short side, keeping them the same way round.

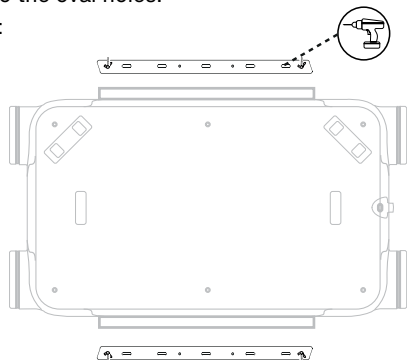


- Screw the brackets in place in the new position.

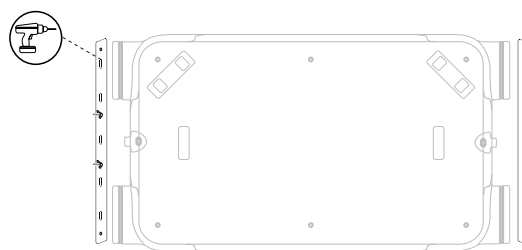


2. Drill holes in the surface as marked and screw the mounting brackets into the oval holes.

- Long side:



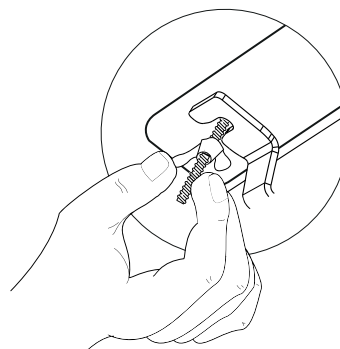
- Short side:



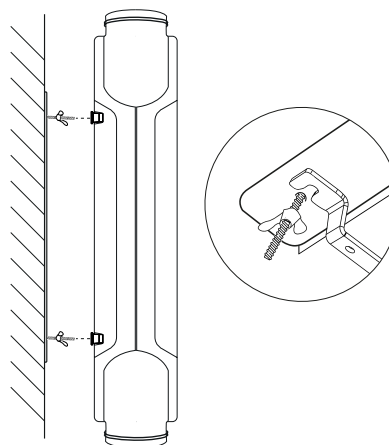
IMPORTANT!

The brackets must be 630 mm apart on the long sides (standard version) and 1,035 mm apart on the short sides.

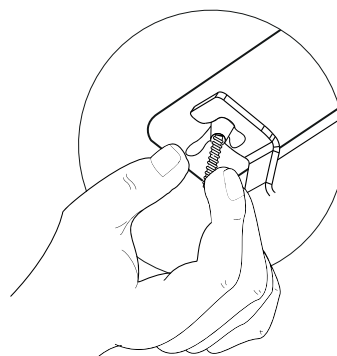
3. Unwind the wing-nuts until they are just 1 cm along the thread.



4. Place the unit on the top of the guide and slide it along until it engages with the threaded bar.



5. Retighten the wing-nuts to secure the unit to the bracket.

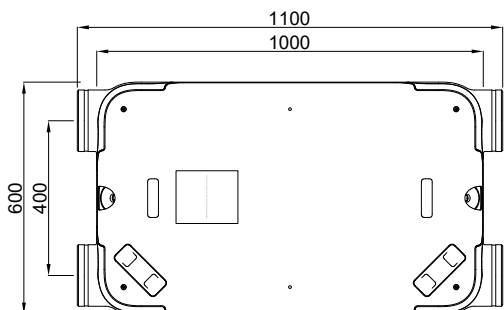


- EN
- DE
- IT
- ET
- LT
- LV

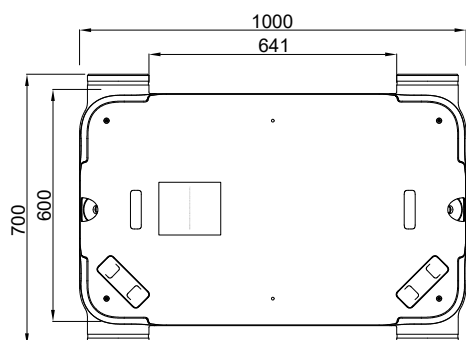
5.6. Positioning the connections

The procedure for turning the distribution connection fittings is shown below.

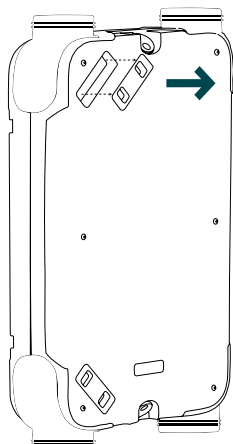
- Default configuration:



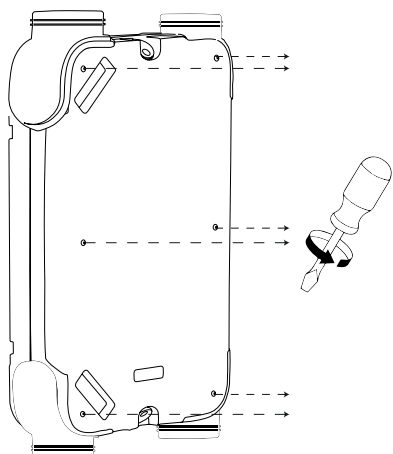
- Configuration with connections turned through 90°:



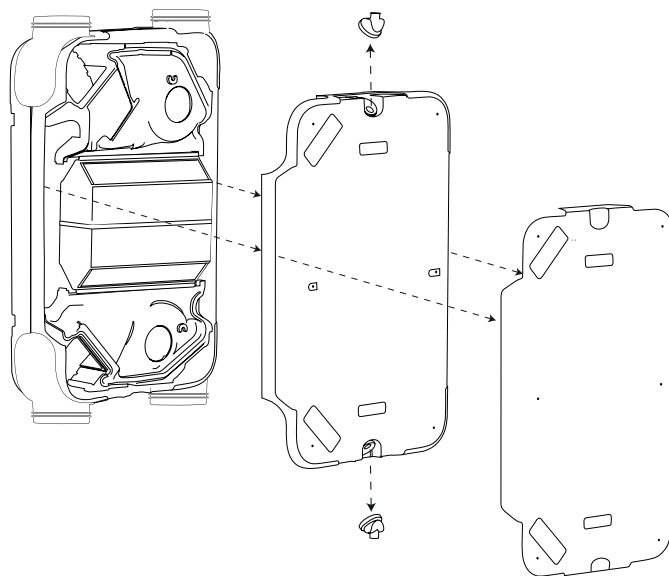
1. Remove the filter caps



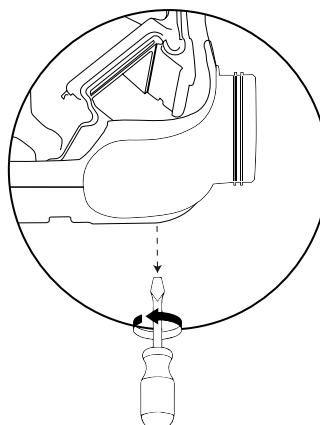
2. Undo the outside screws on the cover



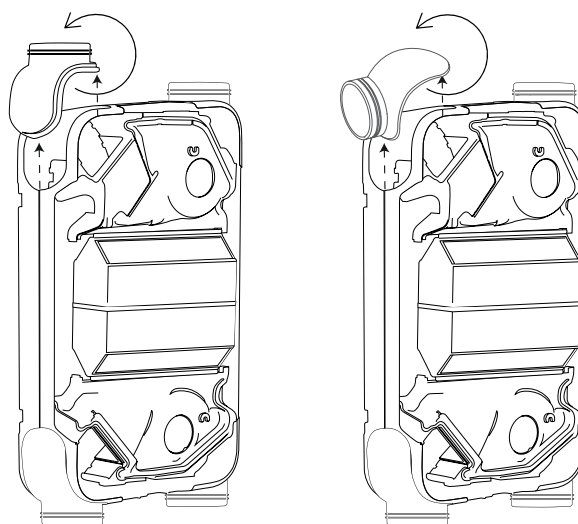
3. Remove the outer metal cover and the polypropylene top cover, exposing the inside of the unit



4. Undo the retainer screws of the EPP connections



5. Lift and turn the connections, rotate them and put them back in place



EN

DE

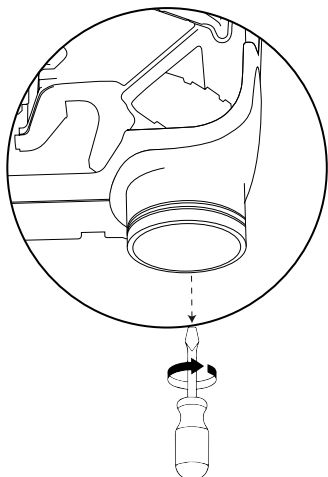
IT

ET

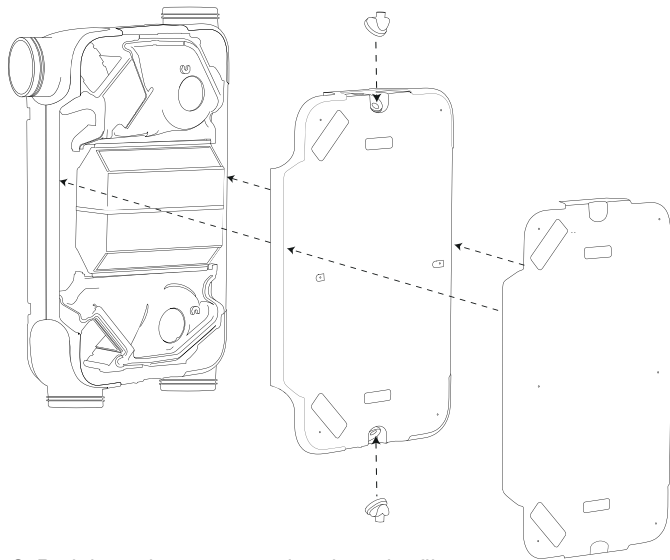
LT

LV

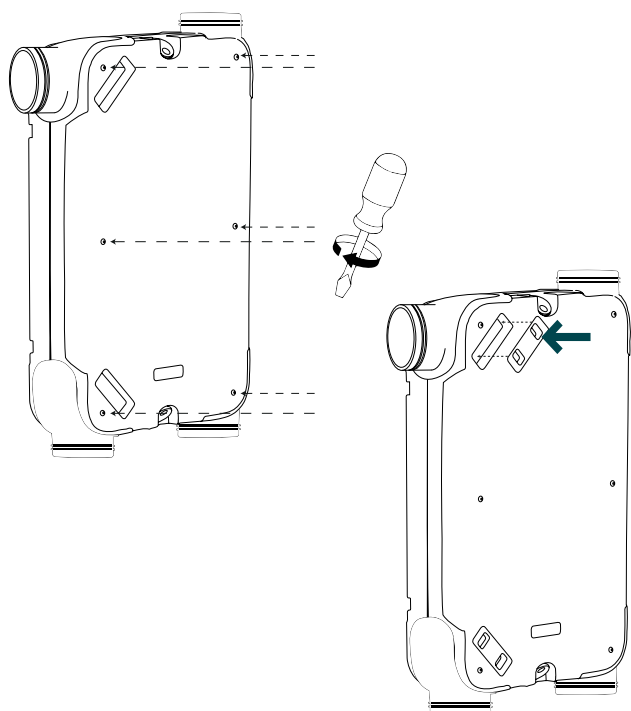
6. Retighten the connection screws



7. Replace the polypropylene top cover and the metal cover



8. Retighten the screws and replace the filter caps



5.7. Connecting the condensate drain

Zehnder EVO 2 HRV and Zehnder EVO 2 HRV PR units must be provided with a condensate drain system. This is not necessary for EVO 2 ERV and EVO 2 ERV PR units. Screw the 1/2" male threaded siphon (not included in the supply package, must be ordered separately) onto the unit's condensate drain fitting.

For correct maintenance, install the siphon so that it can be removed and inspected easily.

The unit's condensate drain connection may be pointing horizontally or downwards.

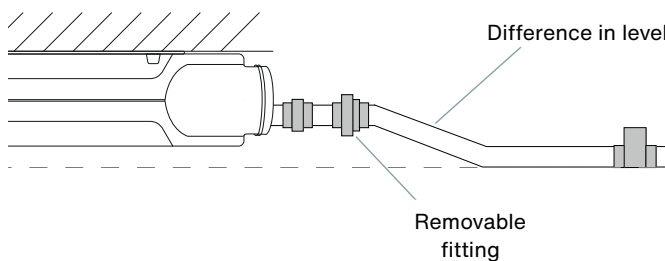


Make sure that the gradient of the condensate drain is not parallel to or back towards the unit.

Important!

In EVO HRV and EVO HRV PR units only one condensate drain is connected; the other one must be plugged. In EVO ERV and EVO ERV PR units both condensate drains must be plugged. The plugs are supplied.

The instructions for installing the condensate drain for an EVO unit installed horizontally are provided below:



If the unit is installed horizontally on a ceiling, the condensate drain must be below the level of the unit itself.

Warning!

The warranty is valid provided a genuine Zehnder dry siphon is installed and the condensate drainage system is constructed correctly. Otherwise, Zehnder considers itself relieved of all responsibility in case of damage to the unit.

- EN
- DE
- IT
- ET
- LT
- LV

6. Electrical connections

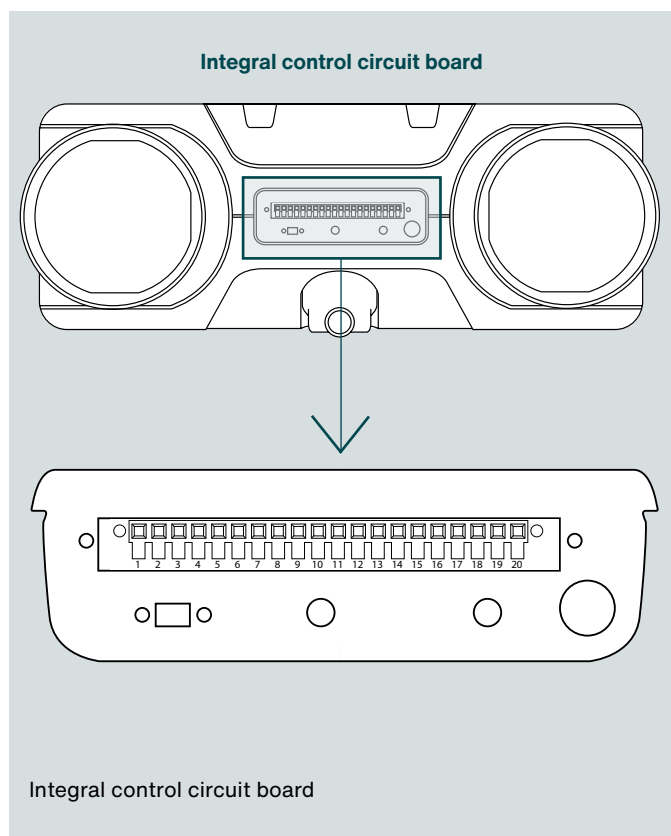
The connection to the mains power supply must be made in accordance with the regulatory standards.

The fans and the electronic circuit board operate on a power supply voltage of 230 V.



The mains power supply must be disconnected during all work on the unit, installation or maintenance.

Colour-coding of wiring	
Brown	Live
Blue	Neutral
Green/yellow	Ground



Description of connectors		
Conn.	Description	Circuit board
PIN 1	Home automation - 10V	X-26
PIN 2	Home automation - 0V	X-26
PIN 3	Home automation - dry contact	X-25
PIN 4	Home automation - dry contact	X-25
PIN 5	Not used	-
PIN 6	Not used	-
PIN 7	After-heater 10 V output (*)	X-16
PIN 8	After-heater 0 V output (*)	X-16
PIN 9	“Mirror mode” NO/NC (*)	X-32
PIN 10	“Mirror mode” NO/NC (*)	X-32
PIN 11	Not used	-
PIN 12	Selector switch V1 common	X-510
PIN 13	Selector switch V2	X-510
PIN 14	Selector switch V3	X-510
PIN 15	Preheater 230 V output (**)	X-17
PIN 16	Preheater earth output (**)	X-17
PIN 17	Preheater neutral output (**)	X-17
PIN 18	Not used	X-28
PIN 19	Not used	X-28
PIN 20	Not used	X-28

(*) Pin not used on models Zehnder EVO 2 HRV PR and Zehnder EVO 2 ERV PR

(**) In models with preheater included as standard, these pins are used for the after-heater (optional) and not for the preheater.

EN

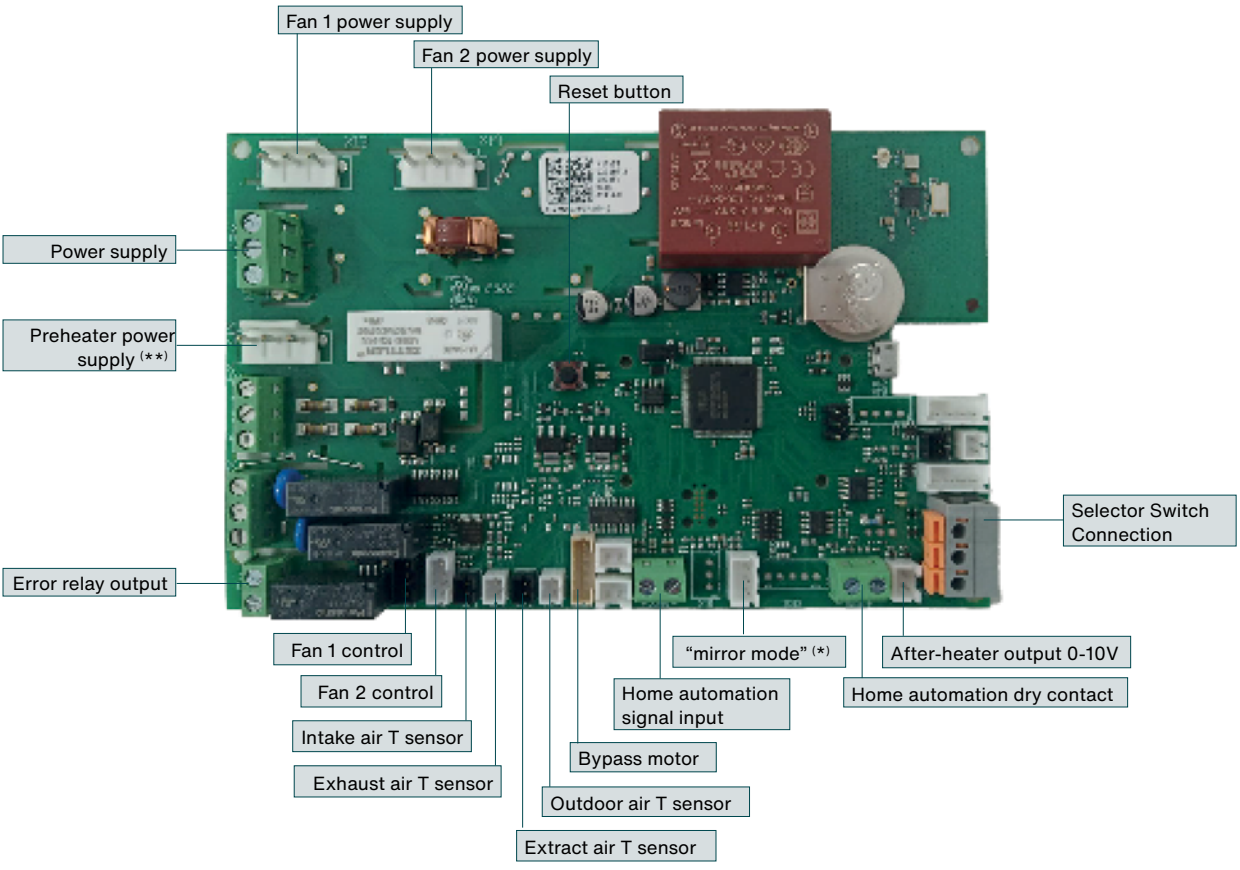
DE

IT

ET

LT

LV



(*) Not used in models Zehnder EVO 2 HRV PR and EVO 2 ERV PR.
 (**) Used for after-heater in models Zehnder EVO 2 HRV PR and EVO 2 ERV PR.

- EN
- DE
- IT
- ET
- LT
- LV

7. Controls and connectivity

Zehnder EVO series units may be monitored and controlled in various ways. The following is a list of the accessories available.



7.1. Zehnder Multi Control

Zehnder EVO units can be controlled via Zehnder Multi Control, enabling combination with Zehnder ComfoDew or Zehnder ComfoPost post-treatment systems.

The ventilation unit takes the minimum fan speed as default. Via the relays it contains, Multi Control activates the second and third fan speeds when requested by the user or when necessary to meet post-treatment needs.

With the Multi Control, users can select manual or automatic operating mode, write weekly timing programs and view the filter change alarm.



If another control, such as Zehnder EVO Sense, is connected to monitor and control the unit in addition to Multi Control, the other control must be left in manual mode and on fan speed 1 at all times. Otherwise, Multi Control will not function correctly.



The Zehnder Multi Control can be connected to the “Zehnder Multi Controller” app, which monitors and controls the ventilation unit, the thermal zones and the heating system.

7.2. Zehnder EVO Sense wireless



The EVO Sense wireless smart control device communicates with the ventilation unit via RF (radio frequency) and allows selection of five different flow rates. It also enables users to write daily and weekly timing programs and set automatic operating mode.

It is a smart user and installation interface for supervising and configuring the connected ventilation unit.

7.3. Zehnder EVO Switch RF



The EVO Switch 4-setting wireless push-button control device communicates with the ventilation unit via RF (radio frequency) with a choice of four different operating modes. It has a filter change alarm indicator.

7.4. RF CO₂ sensor



The wireless CO₂ sensor monitors the level of carbon dioxide in the room where it is placed and sends its readings to the Zehnder EVO unit via RF (radio frequency). The unit varies its flow rate accordingly, choosing the right level to guarantee indoor air quality on the basis of the data sent by the sensor.

7.5. RF humidity sensor



The wireless sensor monitors the relative humidity of the air in the room where it is placed and sends its readings to the Zehnder EVO unit via RF (radio frequency). The unit varies its ventilation flow rate accordingly, choosing the right level to guarantee indoor air quality on the basis of the data sent by the sensor.

7.6. Smart connectivity

You can make your home a smart home with the aid of various interface methods:

- EVO Connect ModBus;
- EVO Connect ModBus-KNX.

7.6.1. EVO Connect ModBus

The “EVO Connect ModBus” device is wired to the Building Management System (BMS) and, via ModBus language, is used to read and enter data relating to the EVO ventilation unit and any compatible sensors (relative humidity/CO₂) and wireless control devices (EVO Sense/EVO Switch) connected.

It communicates with the EVO unit via RF.



EVO Connect ModBus requires a 24 V AC/DC power supply in order to function correctly.



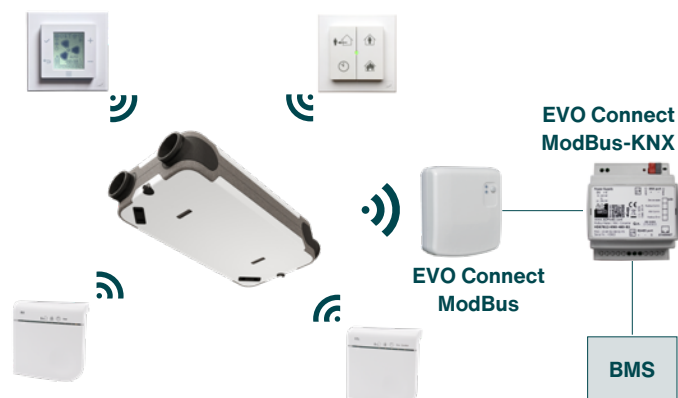
7.6.2. EVO Connect ModBus - KNX

The “EVO Connect ModBus - KNX” device is a ModBus/KNX converter for wiring to the EVO Connect ModBus gateway to translate the data gathered by the gateway and send them by wire to the BMS.

It gathers data from the EVO units and any compatible sensors (relative humidity/CO₂) and wireless control devices (EVO Sense/EVO Switch) connected.



EVO Connect ModBus - KNX requires a 24 V AC/DC power supply in order to function correctly.



8. Commissioning

The ventilation unit can be put into operation after installation. Proceed as follows.

- Read through the commissioning instructions before starting.
- Close all windows and external and internal doors.
- Check that all valves have been fitted correctly and open them as far as possible.
- Make sure that all ventilation unit and valve filters are in as-new condition. Fouled filters may falsify the outcome of commissioning.
- Set the ventilation unit on fan speed 3. Automatic mode must not be activated.
- Make sure that the gaps under the doors or the transit grilles are unobstructed and allow air to pass freely. They must remain in this condition throughout all subsequent operation of the ventilation unit.
- Start to adjust the valves, starting from the valve which receives the lowest air flow (usually the valve furthest from the ventilation unit). Use a calibrated measuring instrument to set the required nominal air flow on each valve.
- To minimise energy use, make sure that one fresh air supply valve and one stale air extraction valve are open to their full extent.
- Repeat the volumetric flow adjustment until all the valves are set at the required flow rate.
- If it is not possible to balance the air flow rate with the set speeds, the fan rpm can be adjusted according to the needed flow rates.

9. Operation

The unit is delivered ready for connection to the electricity supply and its operation is completely automatic. The stale air extracted from indoors transfers thermal energy to the fresh air from outdoors. The fresh, clean air is supplied to the inside of the home at a pre-conditioned temperature, cool in summer and warm in winter, providing significant energy savings.

Up to five ventilation flow rates may be available depending on the type of control system used.

The unit is regulated with a constant flow rate, meaning that the air delivery and extraction flow rates are achieved irrespective of the pressure drop in the ducting.

9.1. Operation of the bypass

The bypass provided as standard allows outdoor air to be supplied directly, passing through the filter but not through the heat exchanger, to benefit from favourable outdoor temperatures at specific times, such as at night in summer, when it is preferable to allow fresh air to enter to reduce the temperature inside the home free of charge ("free cooling"). The bypass valve is tripped automatically when specific conditions are met, as shown in the table below.

Operation of the bypass	
Bypass open	<ul style="list-style-type: none"> ▪ The outdoor temperature is above 10 °C. ▪ In summer, the outdoor temperature is 3 °C below the temperature of the air extracted from the home and below the comfort temperature. ▪ In winter, the outdoor temperature is 3 °C above the temperature of the air extracted from the home and above the comfort temperature.
Bypass closed	<ul style="list-style-type: none"> ▪ The outdoor temperature is below 10 °C. ▪ In summer, the outdoor temperature is above the temperature of the air extracted from the home and above the comfort temperature. ▪ In winter, the outdoor temperature is below the temperature of the air extracted from the home and below the comfort temperature.

WARNING!

The Zehnder EVO unit automatically detects the current season.

9.2. Frost protection safety device

To prevent ice from forming on the heat exchanger when the outdoor temperatures are very low, the Zehnder EVO is equipped with a frost protection safety device.

The sensors measure the temperatures in the heat exchanger and if necessary the fans generate a gradually increasing imbalance between the flows.

When the temperature reaches -2°C in models Zehnder EVO 2 HRV and Zehnder EVO 2 ERV without preheater, or -16°C in models Zehnder EVO 2 HRV PR and Zehnder EVO 2 ERV PR with preheater, the unit cuts out to prevent damage to the heat exchanger, checking once every hour whether the temperature has returned to safe operating levels.

EN

DE

IT

ET

LT

LV

10. Maintenance procedure



Perform all the preventive maintenance procedures listed in this section regularly. If preventive maintenance procedures are not carried out regularly, the ventilation system's performance will be impaired.



Before starting maintenance, run the ventilation unit at fan speed 3 for at least two minutes to remove the condensate from the heat exchanger.



If a component has to be replaced, order a genuine spare part from Zehnder and have all work performed by a Zehnder representative.



Except for filter replacement, all maintenance must be performed by specialist personnel.



Before starting maintenance jobs, always disconnect the ventilation unit from the electrical power supply, unless otherwise specified. If the unit is operated when open there is a real risk of personal injury. Make sure that it cannot be started up accidentally.



Take suitable measures to prevent electrostatic discharges when working with the electronics, since electrostatic electricity can damage them beyond repair.

10.1. Air filter maintenance

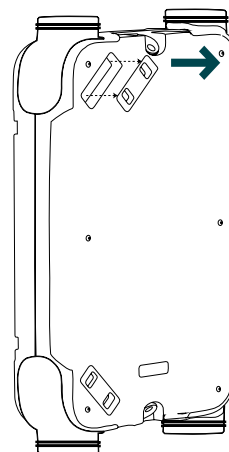
This maintenance procedure can be performed by the user.

The filters should be checked every three months. In the event of coarse dirt (insects, small parts of plants, etc.) they can be vacuum-cleaned and returned to the unit.

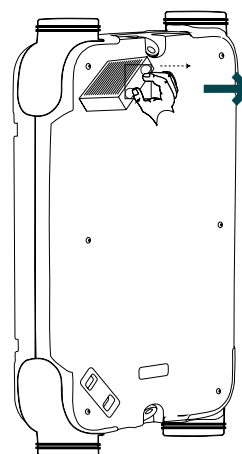
Filters must be changed at least every six months. Obtain replacement filters in advance, taking care to make sure that they are genuine Zehnder filters.

1. If an EVO Sense remote control is used, run the filter replacement procedure on the control. Otherwise, switch off the unit. If the unit is connected to an EVO Switch or Multi Control device, remember to reset the filter change alarm once the procedure has been completed.

2. Remove the caps from the filter section.



3. Gently remove the fouled filters by means of the tabs provided. If the two filters are not the same, note their positions: the ISO ePM1 filter is installed on the outdoor air inlet and the ISO Coarse filter is fitted on the room air extraction inlet.



WARNING!

The Zehnder EVO unit must never be operated without filters.

EN

DE

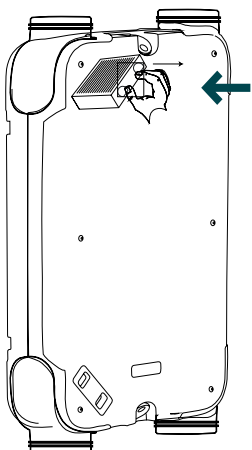
IT

ET

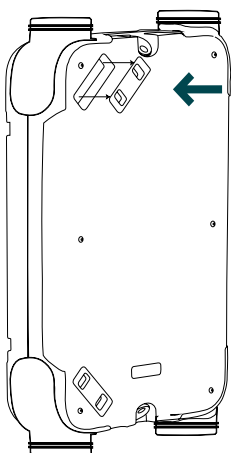
LT

LV


4. Refit the filters in their compartments, positioning them as specified in point 3.



5. Put the caps back on the filter compartments.



6. Terminate the filter replacement procedure or restart the unit.

 **When the unit's filters are changed, also clean the filters on the internal grilles or valves and the external air discharge grilles.**

 **Dispose of the fouled filter as non-recyclable waste.**

10.2. Cleaning the ventilation unit

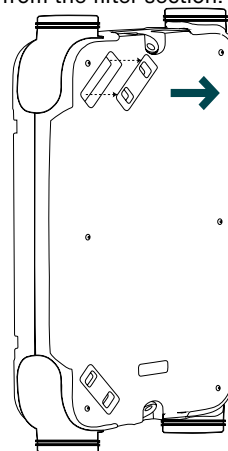
All internal components of the EVO unit (heat exchanger, fans, etc.) must be inspected and cleaned every two years.

WARNING!

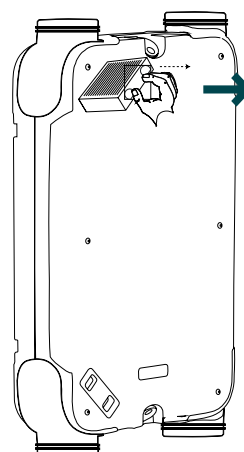
This maintenance job must only be carried out by a Zehnder authorised, qualified engineer. Contact your nearest Zehnder representative.

1. Disconnect the unit from the electrical power supply.

2. Remove the caps from the filter section.



3. Gently remove the filters by means of the tabs provided. If the two filters are not the same, note their positions: the ISO ePM1 filter is installed on the outdoor air inlet and the ISO Coarse filter is fitted on the indoor air extraction inlet.



EN

DE

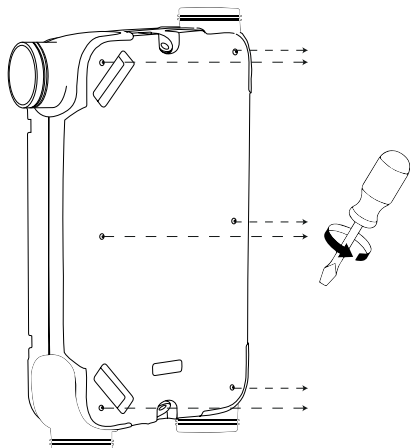
IT

ET

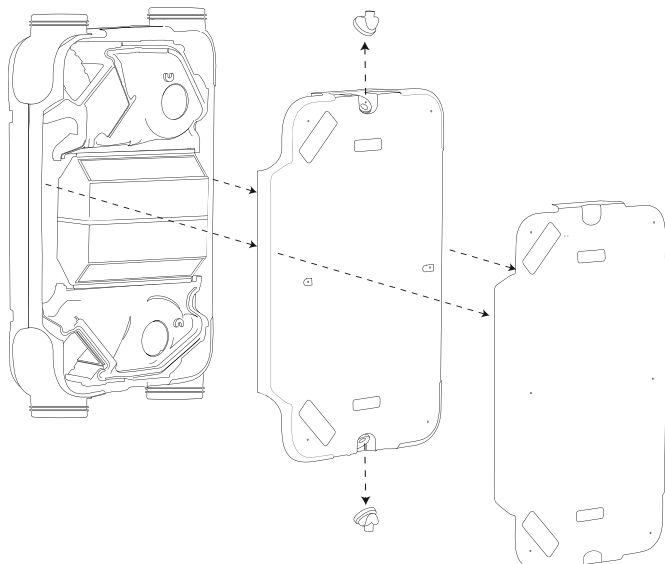
LT

LV

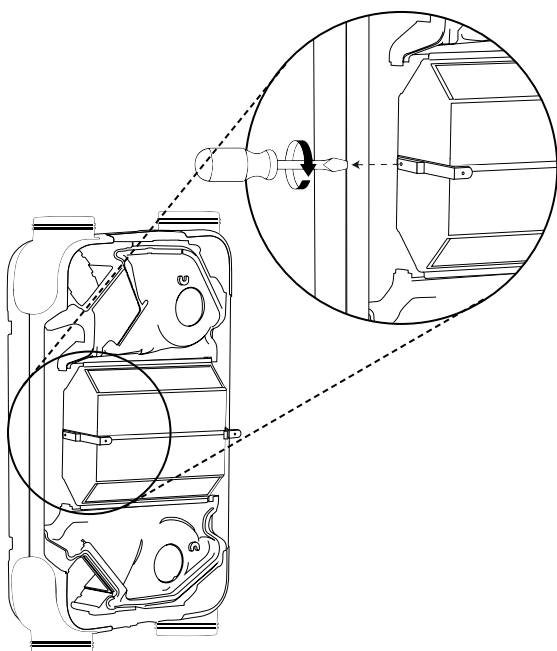
4. Remove the screws of the external metal cover



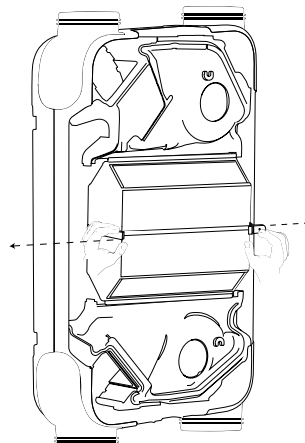
5. Remove the metal cover and the polypropylene cover, exposing the heat exchanger, fans and bypass duct.



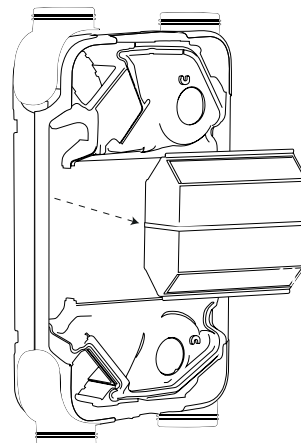
6. Undo and remove the left mounting bracket



7. Separate the brackets which retain the heat exchanger, allowing its removal

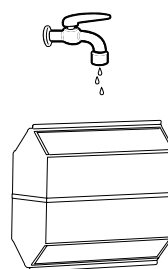


8. Remove the heat exchanger



Remove the heat exchanger with care. There may be a little condensate inside the heat exchanger.

9. Clean the heat exchanger in running water



10. Check that the visible interior of the unit is clean: heat exchanger compartment, bypass duct, polypropylene parts. Clean with a soft cloth if necessary.

11. Clean the fans with a vacuum cleaner fitted with a brush and check that they are not damaged. If they are, replace them.

EN

DE

IT

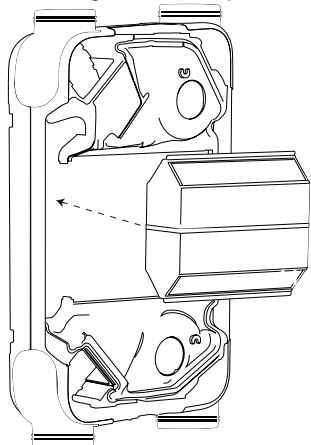
ET

LT

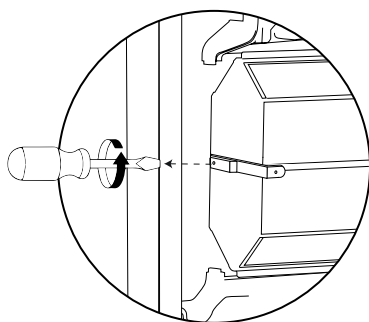
LV

12. Once the cleaning procedures are complete, reassemble the unit.

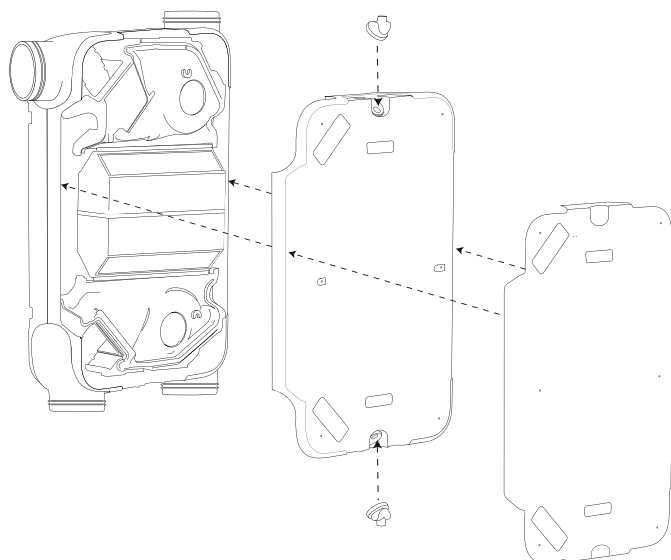
13. Return the heat exchanger to its compartment



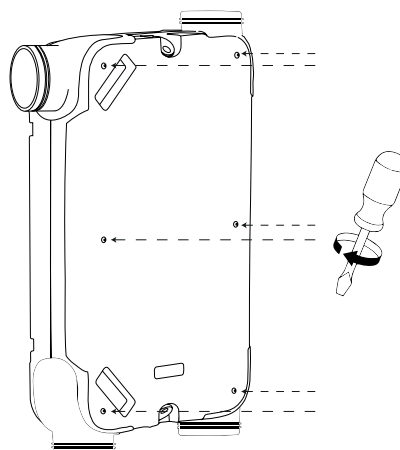
14. Replace the left bracket and retighten the screw



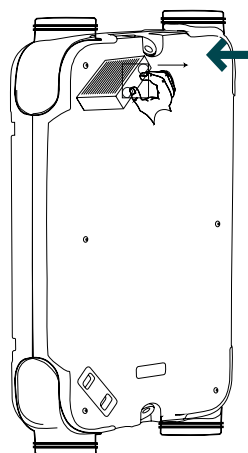
15. Replace the polypropylene and metal covers.



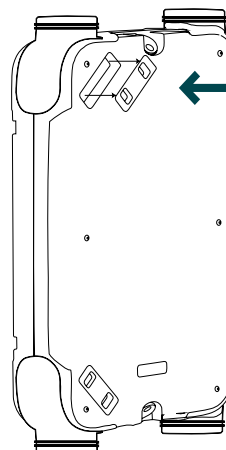
16. Retighten the screws on the metal cover.



17. Refit the filters in their compartments, positioning them as specified in point 3



18. Refit the filter covers



Make sure that the polypropylene top cover is perfectly aligned with the bottom, with no gaps at the sides. Otherwise, check that the wires are correctly fitted into the grooves provided for them.

EN

DE

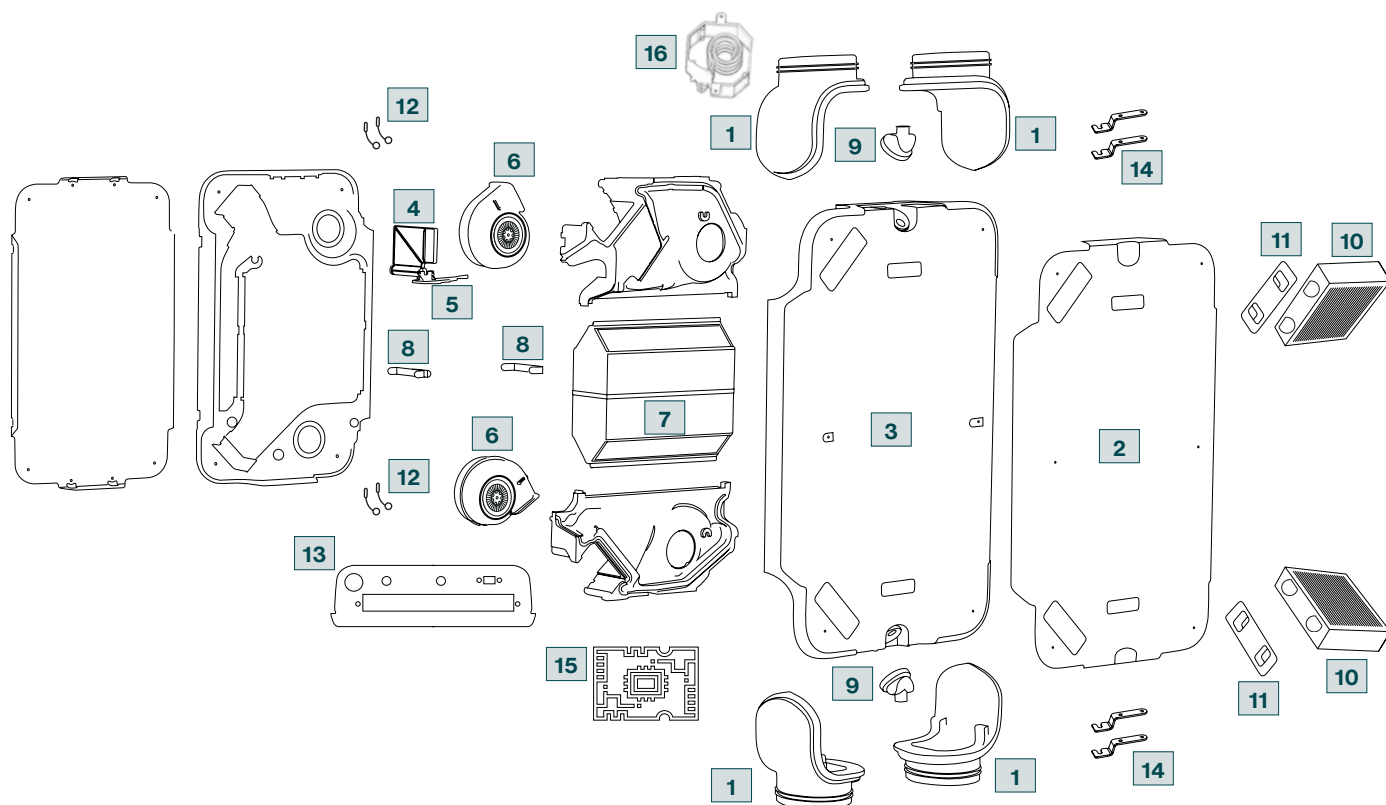
IT

ET

LT

LV

11. Overview of the unit and description of the components



No.	Component description	no. of pieces
1	Swivel fittings	4 pieces
2	Front cover	1 piece
3	Polypropylene cover for fans, heat exchange, electronics	1 piece
4	Bypass valve	1 piece
5	Bypass valve motor	1 piece
6	High-efficiency fans	2 pieces
7	High-efficiency energy recovery heat exchanger	1 piece
8	Heat exchanger mounting brackets	2 pieces
9	Swivel condensate drain	2 pieces
10	High-performance filters	2 pieces
11	Filter cover	2 pieces
12	Temperature sensor	4 pieces
13	Connection board	1 piece
14	Sound-damping unit	4 pieces
15	Electronic circuit board	1 piece
16	Pre-heater (*)	1 piece

(*) Only included on models Zehnder EVO 2 HRV PR and Zehnder EVO 2 ERV PR.

EN

DE

IT

ET

LT

LV

1. Inhaltsverzeichnis**1. Einleitung 3**

- 1.1. Verwendung der Zehnder EVO Lüftungsanlage 3
 1.2. Garantie 3

2. Beschreibung und Sicherheit 3

- 2.1. Beschreibung 3
 2.2. Sicherheit 4
 2.3. Montagebedingungen 4
 2.4. Bestimmungen für den Betrieb mit Feuerstätten 5
 2.5. Konformität 5

3. Transport und Lieferung 5

- 3.1. Transportsicherheitshinweise 5
 3.2. Überprüfen der Lieferung 5
 3.3. Auspacken des Lüftungsgeräts 6

4. Eigenschaften des Geräts Zehnder EVO 2 6

- 4.1. Anschlüsse 6
 4.2. Umstellung von Werks- zur Spiegelversion 7
 4.3. Überblick über das Lüftungsgerät 7
 4.4. Technische Daten 8
 4.5. Elektrische Vorheizung
 (nur für EVO 2 HRV mit Vorheizregister und
 EVO 2 ERV mit Vorheizregister) 8
 4.6. Energieeffizienzklassen 8
 4.7. Leistungsdiagramme 9
 4.8. Leistungsdaten 9
 4.9. Funktionsprinzip des Enthalpietauschers 9
 4.10. Schalldaten 10

5. Montage 10

- 5.1. Abmessungen 10
 5.2. Sicherheitsanweisungen - Installation 10
 5.3. Montage 11
 5.4. Deckenmontage 11
 5.5. Wandmontage 12
 5.6. Positionieren der Anschlüsse 14
 5.7. Anschluss des Kondensatablaufs 15

6. Elektrische Anschlüsse 16**7. Bedienelemente und Konnektivität 18**

- 7.1. Zehnder Multi Control 18
 7.2. Zehnder EVO Sense RF 18
 7.3. Zehnder EVO Switch RF 18
 7.4. Zehnder EVO CO2-Sensor (via Funk) 18
 7.5. Zehnder EVO RH-Feuchtesensor (via Funk) 18
 7.6. Intelligente Konnektivität 19
 7.6.1. Zehnder EVO Connect ModBus (via Funk) 19
 7.6.2. Zehnder EVO Connect ModBus-KNX 19

8. Inbetriebnahme 20**9. Betrieb 20**

- 9.1. Bypass 20
 9.2. Frostschutz 20

10. Wartungsverfahren 21

- 10.1. Wartung der Luftfilter 21
 10.2. Reinigung des Lüftungsgeräts 22

11. Geräteübersicht und Beschreibung der Komponenten 25

EN

DE

IT

ET

LT

LV

1. Einleitung

Warnung!



Lesen Sie diese Anleitung vor der Montage und Inbetriebnahme sorgfältig durch.

Dieses Dokument unterstützt Sie bei der sicheren und bestmöglichen Montage, Inbetriebnahme und Wartung des Komfort-Lüftungsgerätes Zehnder EVO 2.

Zehnder EVO 2 wird im Folgenden auch als „Lüftungsgerät“ bezeichnet.

Da unsere Produkte ständig weiterentwickelt und verbessert werden, kann es sein, dass sich Ihr Gerät von den hier gegebenen Beschreibungen unterscheidet.

Die aktuelle Ausgabe der Montageanleitung steht auf der Zehnder-Webseite zum Download bereit.

Folgende Piktogramme werden verwendet:

Symbol	Bedeutung
	Wichtiger Hinweis
	Gefahr einer Beeinträchtigung der Leistung oder eines Schadens am Lüftungssystem.
	Risiko von Personenschäden

! ? Fragen

Bitte wenden Sie sich an Ihre Zehnder Vertretung vor Ort, wenn Sie Fragen haben oder ein neues Dokument, Filter oder Ersatzteile entsprechend den Angaben in der Montageanleitung bestellen möchten.

1.1. Verwendung der Zehnder EVO Lüftungsanlage

- Das Lüftungsgerät und seine Steuergeräte dürfen nur bedient werden, wenn sie gemäß den nationalen und lokalen Vorschriften, so wie den Anweisungen in dem Installationshandbuch montiert wurden.
- Das Lüftungsgerät und seine Steuergeräte dürfen nicht von Kindern oder Personen mit physischen, sensorischen oder geistigen Einschränkungen oder mangelnder Erfahrung und Fachkenntnis bedient werden, es sei denn sie werden beaufsichtigt und wurden bezüglich eines sicheren Umgangs mit dem Lüftungsgerät unterwiesen und verstehen die damit verbundenen Gefahren.
- Kinder dürfen nicht mit dem Lüftungsgerät spielen.
- Kinder dürfen das Lüftungsgerät nicht unbeaufsichtigt reinigen und warten.

1.2. Garantie

Der Hersteller gewährt eine Garantie von 24 Monaten ab Einbau bzw. von maximal 30 Monaten ab Herstellungsdatum auf das Lüftungsgerät. Gewährleistungsansprüche können nur bei Materialfehlern und/oder Konstruktionsfehlern geltend gemacht werden, die während des Garantiezeitraums entstehen.

Im Falle eines Gewährleistungsanspruchs darf das Lüftungsgerät nicht ohne schriftliche Genehmigung des Herstellers demontiert werden. Ersatzteile werden nur von der Garantie abgedeckt, wenn es sich um originale Ersatzteile von Zehnder handelt und sie durch eine entsprechend qualifizierte Person installiert sind.

Die Gewährleistung erlischt, wenn:

- Der Garantiezeitraum verstrichen ist.
- Das Lüftungsgerät ohne Zehnder-Originalfilter oder ohne Außenwandgitter betrieben wird.
- Keine originalen Ersatzteile von Zehnder verwendet wurden.
- Unbefugte Änderungen oder Modifikationen am Lüftungsgerät vorgenommen wurden.
- Die Mängel auf eine unsachgemäße Montage, einen nicht bestimmungsgemäßen Gebrauch oder vernachlässigte Wartung des Systems zurückzuführen sind.
Die Kosten für die (De-)Montage vor Ort werden durch die Garantiebedingungen nicht abgedeckt. Dies gilt auch für normale Verschleiß- und Abnutzungerscheinungen. Zehnder behält sich das Recht vor, die Konstruktion und/oder Konfiguration seiner Produkte jederzeit zu ändern, ohne dazu verpflichtet zu sein, Änderungen an bereits gelieferten Produkten vorzunehmen.

2. Beschreibung und Sicherheit

2.1. Beschreibung

Zehnder EVO 2 ist ein ein kontrolliertes Lüftungssystem mit Wärmerückgewinnung für eine energieeffiziente Lüftung in kleinen Gebäuden, Wohnungen und Häusern. Das Lüftungsgerät zieht verbrauchte Luft aus Feuchträumen wie Küche und Badezimmer ab und führt Wohnräumen wie Wohnzimmer, Schlafzimmer etc. Frischluft zu. Mit Spalten unter Türen oder Gittern wird die Luftzirkulation durch das Gebäude sichergestellt.

Das kontrollierte Lüftungssystem umfasst:

- Das Lüftungsgerät
- Luftkanäle für Außen- und Fortluft
- Luftkanäle für Zu- und Abluft
- Zuluftventile in Wohnräumen, Schlafzimmer und sonstigen trockenen Räumen
- Abluftventile in Küche, Bad und sonstigen Feuchträumen
- Außenwandgitter für Außen- und Fortluft

EN

DE


IT


ET

LT

LV

 Lesen Sie die Anleitung, bevor Sie mit der Verwendung des Lüftungsgeräts beginnen.


 Stellen Sie sicher, dass die Spalte unter den Türen oder die Durchgangsgitter niemals versperrt sind, um zu gewährleisten, dass die Luft durch das Gebäude zirkuliert.


 An der Außenseite des Lüftungsgeräts kann sich Kondensat bilden. In diesem Fall sind keine Maßnahmen erforderlich.

 Das Lüftungsgerät ist umweltgerecht zu entsorgen. Entsorgen Sie das Gerät nicht im Hausmüll.


2.2. Sicherheit


Lesen Sie alle Sicherheitshinweise sorgfältig durch, um eine sichere und korrekte Verwendung des Lüftungsgeräts zu gewährleisten.


 **WARNUNG! Gefährliche elektrische Spannung. Im Falle einer Naturkatastrophe trennen Sie die Stromversorgung.**

 **Befolgen Sie die in dieser Gebrauchsanleitung aufgeführten Sicherheitsvorschriften, Vorsichtsmaßnahmen und Anweisungen. Die Nichtbeachtung kann zu Schäden am Gerät oder zu Verletzungen führen.**


 **Montage, Inbetriebnahme und Wartung müssen von einer qualifizierten Fachkraft durchgeführt werden, sofern in dieser Anleitung nichts anderes angegeben ist.**


 **Öffnen Sie das Lüftungsgerät nicht. Der Fachtechniker muss sicherstellen, dass alle Teile, die zu Verletzungen führen können, sicher im Gerät untergebracht sind.**


 **Sofern in dieser Gebrauchsanleitung nicht anders angegeben, lassen Sie das Gerät stets in Betrieb. Andernfalls kann sich Feuchtigkeit ansammeln und Schimmel bilden.**


 **Das Modifizieren des Lüftungsgeräts und der angeschlossenen Steuergeräte ist untersagt. Physische oder Software-Änderungen führen zum Verlust der Gewährleistung und können zu Fehlfunktionen oder Personenschäden führen.**

 **Wenn das Stromkabel beschädigt ist, muss es von einem von Zehnder autorisierten Fachmann ersetzt werden.**

 **Beachten Sie bei der Montage die geltenden nationalen und lokalen Vorschriften sowie diese Gebrauchsanleitung. Montieren Sie einen Sicherheitsschalter zum Unterbrechen der Stromversorgung.**

 **Trennen Sie das Lüftungsgerät immer vom Stromnetz, bevor Sie Wartungs- oder Reparaturarbeiten durchführen. Stellen Sie sicher, dass es nicht versehentlich neu gestartet werden kann.**

 **Schalten Sie das Lüftungsgerät nicht ein, wenn es geöffnet ist: Die elektrische Spannung und die Bewegung der Lüfter können zu Verletzungen führen.**

 **Treffen Sie geeignete Maßnahmen, um elektrostatische Entladungen bei Arbeiten am Gerät zu vermeiden. Statische Elektrizität kann elektrische Einbauten beschädigen.**

2.3. Montagebedingungen

Das Lüftungsgerät ist für den Einsatz in Wohnhäusern, Büros, kleinen Werkstätten und ähnlichen Räumlichkeiten vorgesehen, vorausgesetzt, dass:

- Keine Saunen oder Schwimmbäder vorhanden sind
- Die Feuchtigkeit nicht übermäßig hoch ist
- Die Staubbelastung nicht übermäßig hoch ist
- Keine schädlichen oder potenziell korrosiven Substanzen vorhanden sind.

Um festzustellen, ob das Lüftungsgerät am vorgesehenen Standort verwendet werden kann, überprüfen Sie Folgendes:

- Eine Stromversorgung von 230 V, 50 Hz zur Verfügung steht; jede andere Betriebsspannung oder Frequenz kann zu irreparablen Schäden am Gerät führen
 - Die Raumtemperaturen jederzeit innerhalb des zulässigen Bereichs von 10 bis 45 °C liegen
 - Die Feuchtigkeit im Raum nicht übermäßig hoch ist, nicht kondensiert und zu jeder Zeit unter 90% liegt
- Montieren Sie das Gerät nicht an Orten mit überdurchschnittlicher Feuchtigkeit, wie z. B. Badezimmern oder Umkleieräumen.

Überprüfen Sie, ob im Montagebereich ausreichend Platz für das Luftverteilsystem vorhanden ist.

Lassen Sie das Lüftungsgerät vollständig zugänglich, um Wartungsarbeiten zu ermöglichen.

Zehnder EVO 2 kann mit den mitgelieferten Halterungen und Schwingungsdämpfer an der Wand oder Decke montiert werden. Siehe dazu den entsprechenden Abschnitt in der Montageanleitung.

 **Lesen Sie den spezifischen Abschnitt, um die verschiedenen Installationsoptionen zu überprüfen.**

EN

DE

IT

ET

LT

LV

2.4. Bestimmungen für den Betrieb mit Feuerstätten

Lokale Anforderungen sind durch entsprechende Normen, Gesetze und Richtlinien zu berücksichtigen. Das Lüftungsgerät darf in Räumen, Wohnungen oder Nutzungseinheiten vergleichbarer Größe, in denen raumluftabhängige Feuerstätten aufgestellt sind, nur installiert werden, wenn:

- Ein gleichzeitiger Betrieb von raumluftabhängigen Feuerstätten und der luftabsaugenden Anlage durch Sicherheitseinrichtungen verhindert wird.
Oder
- Die Abgasabführung der raumluftabhängigen Feuerstätte durch besondere Sicherheitseinrichtungen überwacht wird. Bei raumluftabhängigen Feuerstätten für flüssige oder gasförmige Brennstoffe muss im Auslösefall der Sicherheitseinrichtung die Feuerstätte oder die Lüftungsanlage abgeschaltet werden. Bei raumluftabhängigen Feuerstätten für feste Brennstoffe muss im Auslösefall der Sicherheitseinrichtung die Lüftungsanlage abgeschaltet werden.

Die Lüftungsgeräte zur kontrollierten Be- und Entlüftung einer Wohnung oder vergleichbaren Nutzungseinheit dürfen nicht installiert werden, wenn in der Nutzungseinheit raumluftabhängige Feuerstätten an mehrfach belegte Abgasanlagen angeschlossen sind. Für den bestimmungsgemäßen Betrieb müssen eventuell vorhandene Verbrennungsluftleitungen sowie Abgasanlagen von raumluftabhängigen Feuerstätten absperrbar sein. Bei Abgasanlagen von Feuerstätten für feste Brennstoffe darf die Absperrvorrichtung nur von Hand bedient werden können. Die Stellung der Absperrvorrichtung muss an der Einstellung des Bedienungsriffes erkennbar sein. Dies gilt als erfüllt, wenn eine Absperrvorrichtung gegen Ruß (Rußabsperrerr) verwendet wird.

Brandschutzanforderungen hinsichtlich der brandschutztechnischen Installationsvorschriften für die Errichtung der Lüftungsanlage sind die landesrechtlichen Regelungen, insbesondere die bauaufsichtliche Richtlinie über die brandschutztechnischen Anforderungen an Lüftungsanlagen in der jeweils geltenden Fassung zu beachten.

2.5. Konformität

Die Lüftungsgeräte der EVO-Serie des Herstellers



Siber Zone S.l.u.
C/Can Marcia 2
08520 Las Frenquesas des Vallés
Apto de Correos n°9
Barcelona, Espana

stimmen mit den Richtlinien und Normung der EU- und EAC-Konformitätserklärung überein.

3. Transport und Lieferung

3.1. Transportsicherheitshinweise



Der zulässige Temperaturbereich für Lagerung und Transport liegt zwischen -20 °C und +50 °C.



Lesen Sie die Sicherheitshinweise und Anweisungen, bevor Sie das Lüftungsgerät transportieren.



Tragen Sie das Lüftungsgerät immer mit Hilfe einer anderen Person. Das Lüftungsgerät ist beim Transport und beim Auspacken mit Vorsicht zu behandeln.



Die Kanten des Lüftungsgeräts können sehr scharf sein. Tragen Sie Schutzhandschuhe, um Schnittverletzungen zu vermeiden.

3.2. Überprüfen der Lieferung

Die Lieferung umfasst:

- Lüftungsgerät Zehnder EVO 2
- Kurzanleitung
- ErP-Label
- Halterungen, Schwingungsdämpfer, so wie Schrauben für die Montage

Überprüfen Sie das Typenschild, um sicherzustellen, dass das gelieferte Gerät das richtige ist:

- EVO 2 HRV: Gerät mit Wärmetauscher
- EVO 2 ERV: Gerät mit Enthalpietauscher
- EVO 2 HRV PR: Gerät mit Wärmetauscher und elektrischem Vorheizregister
- EVO 2 ERV PR: Gerät mit Enthalpietauscher und elektrischem Vorheizregister



Bei sichtbaren Schäden am Lüftungsgerät oder fehlendem Zubehör wenden Sie sich bitte umgehend an den Lieferanten.

Das Lüftungsgerät Zehnder EVO 2 wird ohne Steuerungszubehör geliefert. Das optionale Zubehör finden Sie im entsprechenden Abschnitt.

EN

DE

IT

ET

LT

LV

3.3. Lüftungsgerät auspacken

Öffnen Sie die Oberseite der Kartonverpackung. Nehmen Sie das Lüftungsgerät nach oben aus der Verpackung heraus und legen Sie es auf eine saubere, weiche Oberfläche, um Beschädigungen zu vermeiden.

Bewahren Sie den Karton auf, um ihn als Schablone für die Bohrungen zu verwenden, die bei der Montage des Geräts erforderlich sind.



Gehen Sie vorsichtig mit dem Lüftungsgerät um. Zwei Personen sind erforderlich, um das Gerät anzuheben. Halten Sie das Gerät nicht an den Anschlussstutzen fest, da diese dadurch beschädigt werden können.



Entsorgen Sie das Verpackungsmaterial umweltgerecht.



Achten Sie darauf, dass das mitgelieferte Zubehör nicht verloren geht.

4. Eigenschaften des Geräts Zehnder EVO 2

Zehnder EVO 2 ist ein Komfort-Lüftungsgerät mit hocheffizienten Radialventilatoren, die einen flüsterleisen Betrieb und Luftmengen von bis zu 200 m³/h ermöglichen. Das Gerät erreicht eine Energieeffizienz von bis zu 87% (Leistungserklärung gemäß EU 1254/2014). Der integrierte automatische Bypass sorgt für eine "passive Kühlung" in den Sommermonaten.

Eigenschaften des Geräts EVO 2:

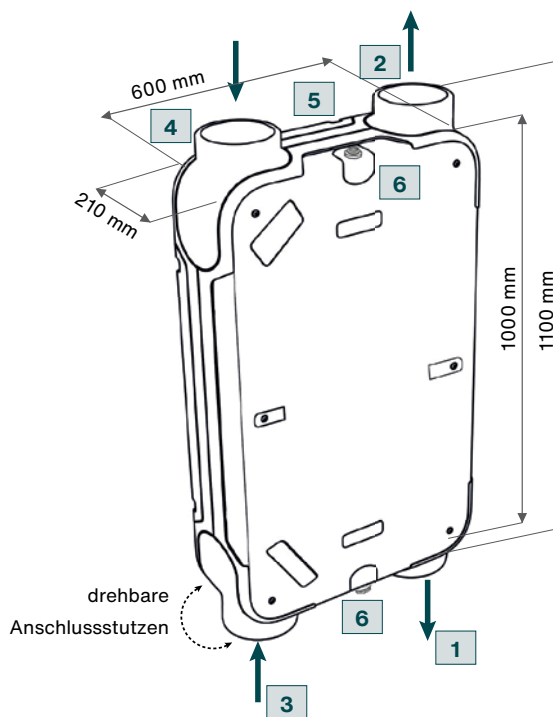
- stufenlose Einstellung der Luftströme über die optionalen Bedienmöglichkeiten;
- Filterstatusanzeige;
- Intelligente Frostschutzregelung für einen optimalen Betrieb auch bei Niedrigtemperaturen. Bei Geräten mit Vorheizregister, wird das Elektro-Vorheizregister bei Bedarf aktiviert.
- niedriger Geräuschpegel;
- automatischer Bypass serienmäßig enthalten;
- Konstante Volumenstromregelung;
- hohe Leistung und geringer Energieverbrauch.

Zehnder EVO 2 ist in 4 Ausführungen erhältlich:

- EVO 2 HRV: Gerät mit standard Wärmetauscher;
- EVO 2 ERV: Gerät mit Enthalpietauscher;
- EVO 2 HRV PR: Gerät mit standard Wärmetauscher und elektrischem Vorheizregister;
- EVO 2 ERV PR: Gerät mit Enthalpietauscher und elektrischem Vorheizregister.

Diese Montageanleitung gilt für alle Zehnder EVO 2-Ausführungen.

4.1. Anschlüsse



Legende zur Standardkonfiguration „Werksversion“

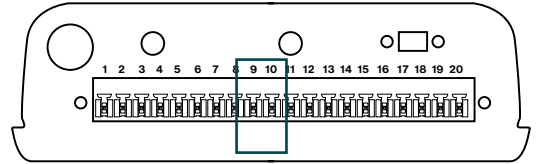
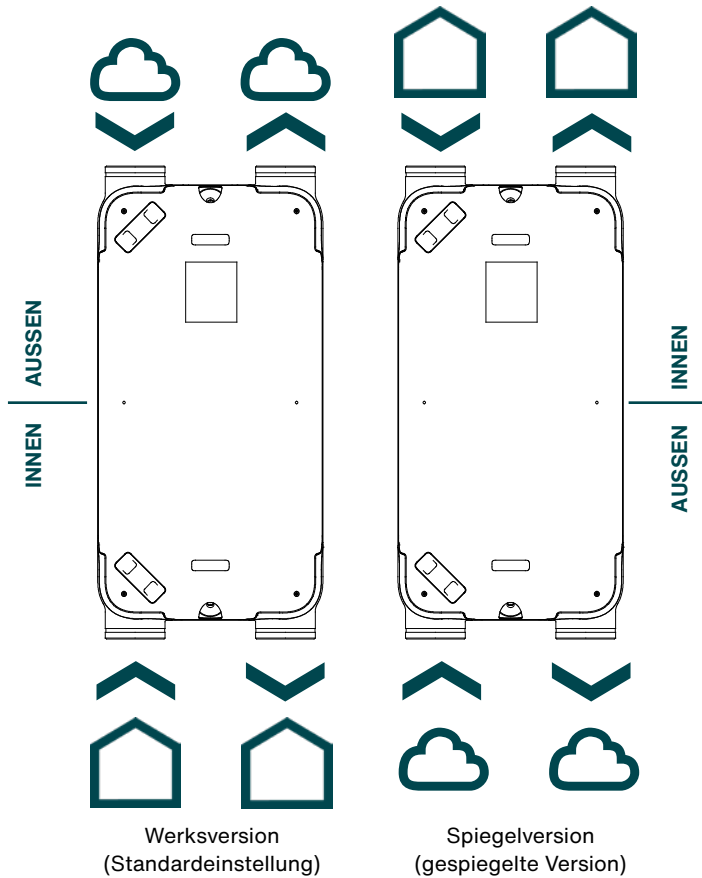
Symbol	Bedeutung
1	Zuluft
2	Fortluft
3	Abluft
4	Außenluft
5	Stromanschlüsse
6	Kondensatablauf*

* Ein Kondensatablauf ist für EVO 2 HRV und EVO 2 HRV mit Vorheizregister erforderlich. Weitere Informationen finden Sie im entsprechenden Abschnitt.

- EN
- DE
- IT
- ET
- LT
- LV

4.2. Umstellung von Werks- zur Spiegelversion

Die Umstellung von Werks- zur Spiegelversion wird durch das Setzen einer Brücke über die Anschlüsse 9 und 10 erreicht.



WICHTIG!

Bei der Wandmontage darf das Gerät **NUR** mit den elektrischen Anschlüssen nach oben montiert werden. Das Gerät mit Wärmetauscher (HRV) **MUSS** mit Außen- und Abluftstutzen nach unten montiert werden. („Spiegelversion“).

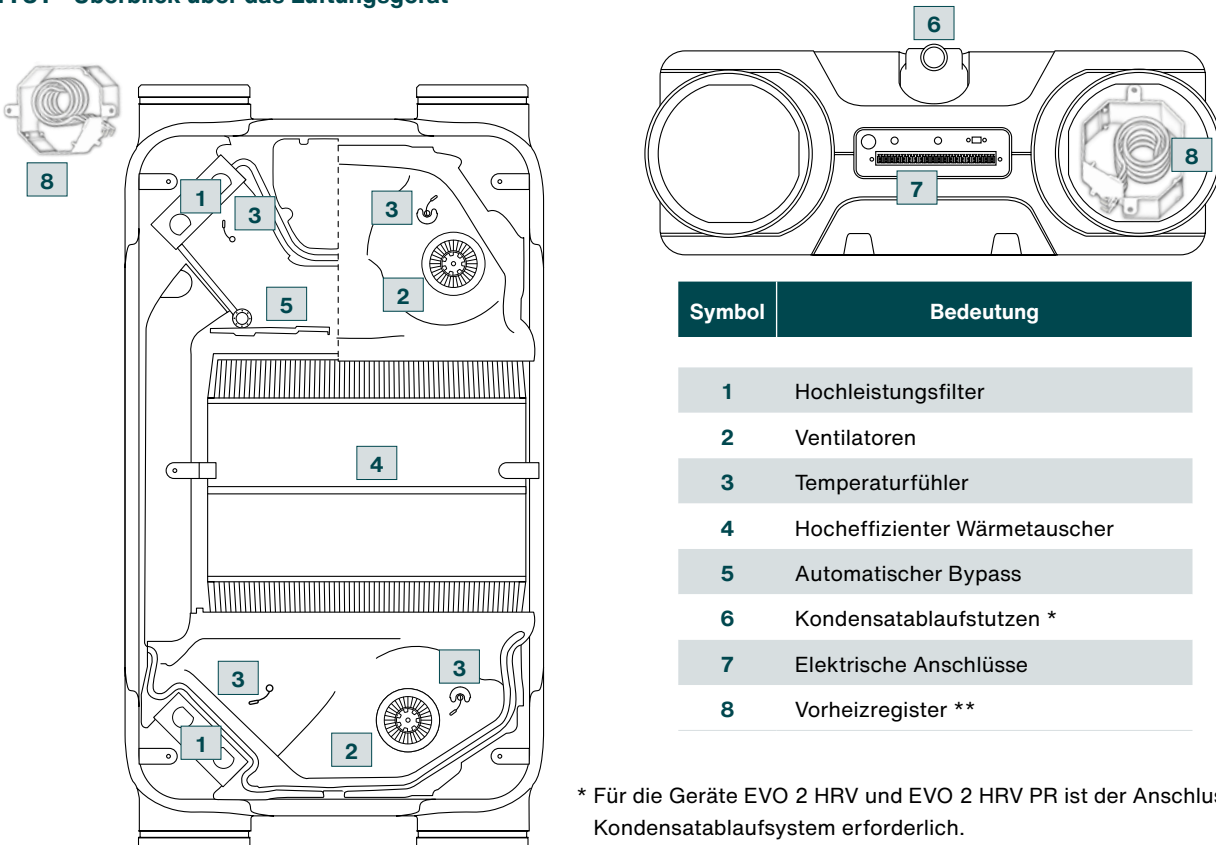
Siehe den entsprechenden Abschnitt.

WICHTIG!

Bei folgenden Modellen ist eine Umstellung von Werks- zur Spiegelversion nicht möglich:

EVO 2 HRV PR und EVO 2 ERV PR

4.3. Überblick über das Lüftungsgerät








Symbol	Bedeutung
1	Hochleistungsfilter
2	Ventilatoren
3	Temperaturfühler
4	Hocheffizienter Wärmetauscher
5	Automatischer Bypass
6	Kondensatablaufstutzen *
7	Elektrische Anschlüsse
8	Vorheizregister **

* Für die Geräte EVO 2 HRV und EVO 2 HRV PR ist der Anschluss an das Kondensatablaufsystem erforderlich.

** Serienmäßig nur bei den Modellen EVO 2 HRV PR und EVO 2 ERV PR enthalten

- EN
- DE
- IT
- ET
- LT
- LV

4.4. Technische Daten

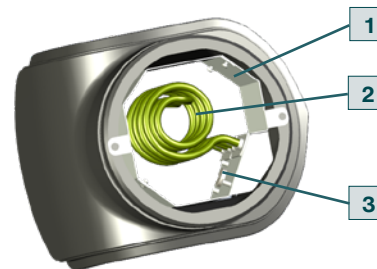
Zehnder EVO 2					
Volumenstrom	200 m³/h bei 200 Pa				
Abmessungen (Länge x Breite x Tiefe)	1000 - 1100 x 600 - 700 x 210 mm (je nach Orientierung der Anschlussstutzen)				
Gewicht	24 kg				
Installation	Wand- und Deckenmontage				
Kondensatanschluss (Ø)	1/2"				
Nennweite Kanalanschluss (Ø)	Ø 160				
Netzspannung	230 V / 50 Hz				
	Zehnder EVO 2 HRV		Zehnder EVO 2 ERV		
Wirkungsgrad gem. EN 13141-7	87%		79%		
Wirkungsgrad gem. PHI	$\eta_{HR} = 84\%$		$\eta_{HR} = 79\%$		$\eta_x = 61\%$
Filterklasse	Grobstaubfilterset ISO Coarse 65% (optionales Hygienefilterset ISO ePM 1 55%)				
					
Lüftungsstufen (Bed. Zehnder EVO Sense RF)	0	1	2	3	Boost
Luftmenge	30	75	100	150	200

(*) Optionen und Vorsichtsmaßnahmen für die Wandmontage des Geräts finden Sie im entsprechenden Abschnitt

4.5. Elektrische Vorheizung (nur für EVO 2 HRV mit Vorheizregister und EVO 2 ERV mit Vorheizregister)

Der elektrische Vorheizregister ist bei den Modellen EVO 2 HRV mit Vorheizregister und EVO 2 ERV mit Vorheizregister standardmäßig im Außenluftstutzen installiert. Die Zulufttemperatur wird so um 10 °C erwärmt und garantiert auch bei Temperaturen unter dem Gefrierpunkt einen sicheren, durchgehenden und frostfreien Betrieb. Eine regelmäßige Kontrolle der Außenluft besonders vor Beginn der Heizperiode ist wichtig. Zur Unterstützung kann auch ein weiterer Filter in Leitung der Außenluft verwendet werden.

1. Heizelemente aus rostfreiem Edelstahl AISI304L
2. Leistung 1 kW
3. Automatische Abschaltung bei 40 °C verhindert Überhitzung



4.6. Energieeffizienzklassen

Energieeffizienzklassen gemäß der EU-Verordnung Nr. 1254/2014

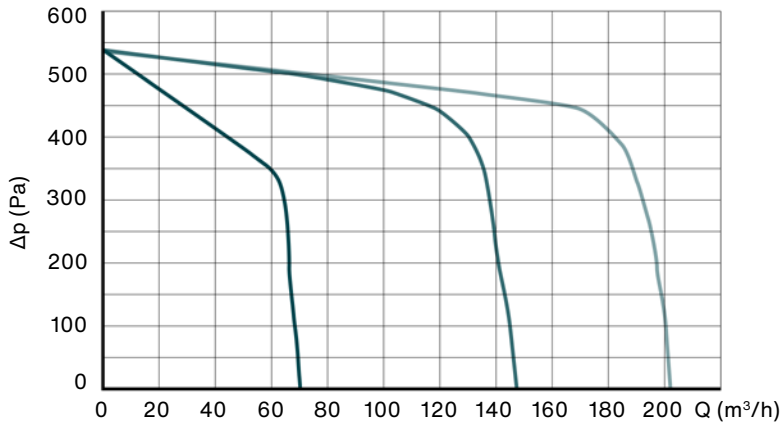
EU-Energieverbrauchskennzeichnung für EVO 2 HRV	
Energieeffizienzklasse	A+ **
Höchster Luftvolumenstrom [m³/h]	200
Wärmebereitstellungsgrad η_{WRG} [-]	87%
Schallleistungspegel LWA dB(A)	49

EU-Energieverbrauchskennzeichnung für EVO 2 ERV	
Energieeffizienzklasse	A+ **
Höchster Luftvolumenstrom [m³/h]	200
Wärmebereitstellungsgrad η_{WRG} [-]	79%
Schallleistungspegel LWA dB(A)	49

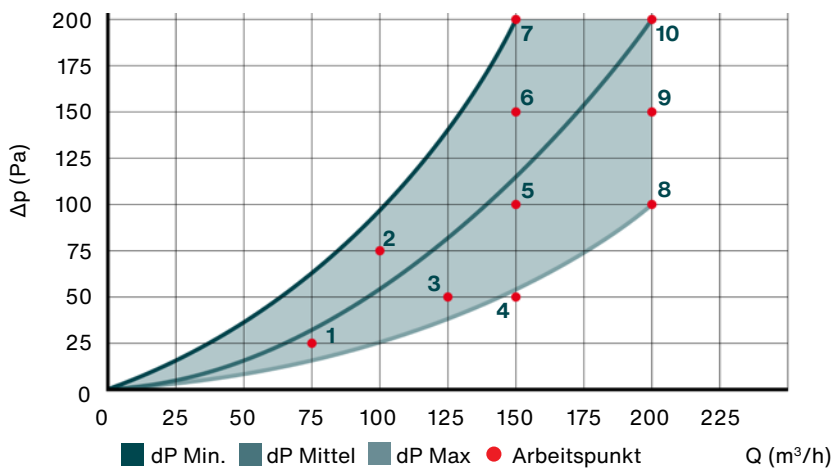
** je nach gewählttem Steuergerät/Sensortyp.

- EN
- DE
- IT
- ET
- LT
- LV

4.7. Leistungsdiagramme



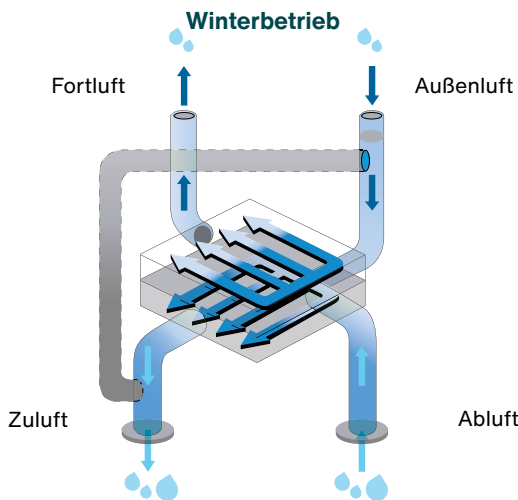
- niedrige Lüfterstufe
- mittlere Lüfterstufe
- hohe Lüfterstufe



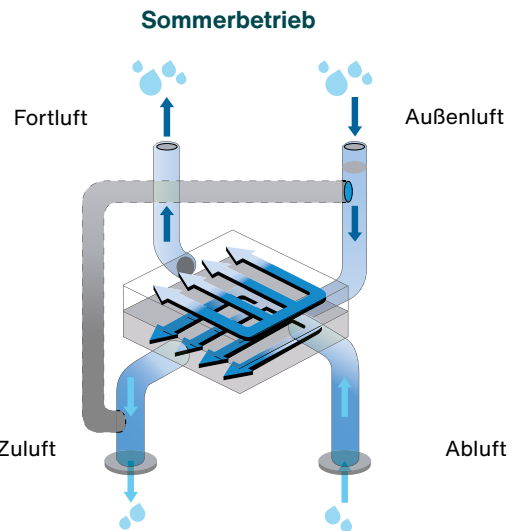
4.8. Leistungsdaten

Zehnder EVO 2 - Leistungsdaten				
Punkt	[m³/h]	[Pa]	P [W]	SFP [Wh/m³]
1	75	25	12.61	0,17
2	100	75	25.31	0,25
3	125	50	29.16	0,23
4	150	50	39.20	0,26
5	150	100	49.65	0,33
6	150	150	60.92	0,41
7	150	200	72.60	0,48
8	200	100	81.33	0,41
9	200	150	93.10	0,47
10	200	200	106.48	0,53

4.9. Funktionsprinzip des Enthalpietauschers



Im Winter wird die warme, feuchte Luft aus Küchen und Bädern aus dem Wohnbereich abgesaugt. Im Inneren des Wärmetauschers trifft diese Luft auf kalte, sehr trockene Außenluft und überträgt ihre Wärme und einen Teil ihrer Feuchtigkeit auf sie. So wird die Außenluft mit einer Temperatur und Luftfeuchtigkeit in den Raum geleitet, die ein Höchstmaß an Komfort gewährleisten, ohne die Luft übermäßig auszutrocknen. Der Enthalpietauscher hilft dem Heizsystem, die ideale Lufttemperatur auch bei kältestem Wetter aufrechtzuerhalten.



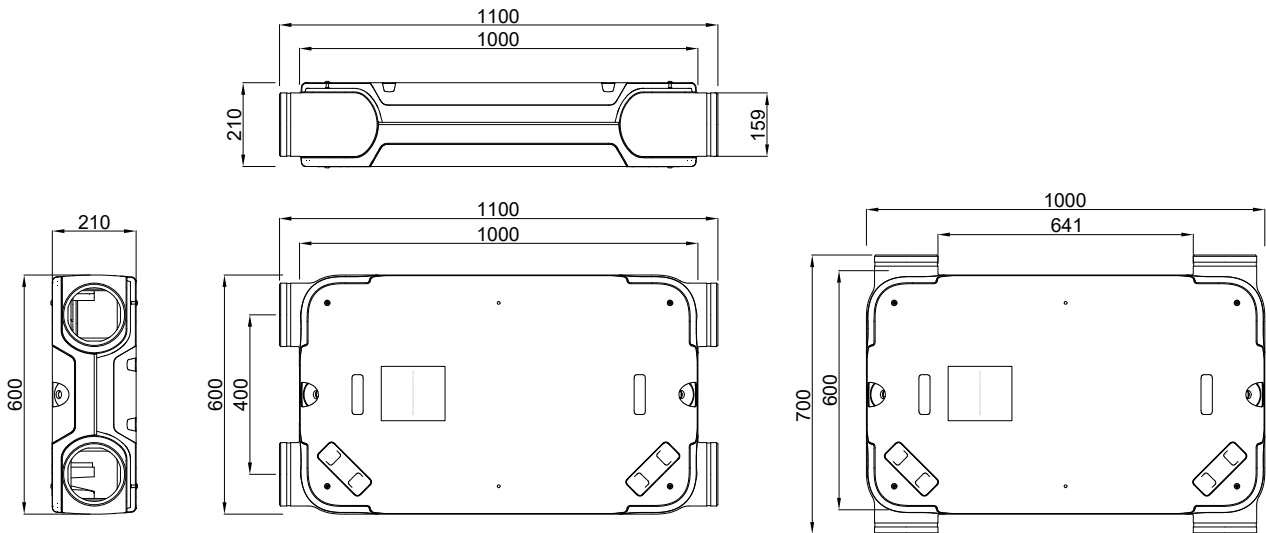
Im Sommer wird kühle, entfeuchtete Luft aus den Innenräumen abgesaugt. Im Inneren des Wärmetauschers trifft sie auf die heiße, feuchte Außenluft, kühlt sie vor und entfeuchtet sie vor. Auf diese Weise unterstützt das Lüftungsgerät mit sehr geringem Energieaufwand das aktive Kühl- und Entfeuchtungssystem bei der Aufrechterhaltung des Raumkomforts. Der Enthalpietauscher ist ideal geeignet für eine optimale Raumluft und mehr Wohlbefinden, Sommer wie Winter.

4.10. Schalldaten

Zehnder EVO 2 Schalldaten								
Luftmenge		m ³ /h	75	125	150	200		
Referenzdruck		Pa	25	50	50	100	150	200
Schalleistung L _w (A)	Geräteabstrahlung	dB(A)	33	42	44	46	51	56
	Abluft	dB(A)	34	43	45	48	50	57
	Zuluft	dB(A)	46	51	59	62	65	66
Schalldruck L _p (A) bei 1,5 m	Geräteabstrahlung	dB(A)	18	27	29	31	36	41

5. Montage

5.1. Abmessungen



5.2. Sicherheitsanweisungen - Installation



Trennen Sie die Stromzufuhr, bevor Sie eine Montage oder Demontage vornehmen.



Stellen Sie sicher, dass das Gerät nicht mit Wasser oder Wasserspritzern in Berührung kommt.



Halten Sie Kinder und Haustiere während der Montagearbeiten vom Einbauort fern.



Achten Sie darauf, dass um, vor und/oder unter dem Gerät genügend Platz für Wartungsarbeiten vorhanden ist.

Zwei Personen sind erforderlich, um das Lüftungsgerät ordnungsgemäß zu montieren, ohne es zu beschädigen.

Zehnder EVO 2 kann mit den mitgelieferten Halterungen und Schwingungsdämpfer direkt an einer Wand oder Decke montiert werden. Um Vibrationen zu vermeiden, muss das Gerät an einer Wand oder Decke mit einer Dichte von mindestens 200 kg/m² montiert werden; eine einfache Beton- oder Metallkonstruktion ist nicht ausreichend. In diesem Fall sind zusätzliche Maßnahmen wie doppelte Versteifungsplatten oder zusätzliche Halterungen erforderlich.

Das Gerät muss vertikal oder horizontal (je nach Einbaulage) nivelliert werden, um Vibrationen und Geräusche des Lüfters zu vermeiden.

EN

DE

IT

ET

LT

LV

5.3. Montage



Nicht im Freien einbauen. Vergewissern Sie sich, dass die Temperatur und die Luftfeuchtigkeit in der Montageumgebung jederzeit innerhalb der zulässigen Betriebsbereiche liegen.

Die Lüftung kann entweder horizontal (an Deckenhalterungen) oder vertikal (an Wandhalterungen) montiert werden.

Wenn es sich bei der gewählten Einheit um ein EVO 2 HRV oder EVO 2 HRV PR handelt, muss der Einbauort über ein wirksames Kondensatableitungssystem mit einem Siphon und ausreichendem Gefälle verfügen, das jederzeit freigängig und frostfrei sein muss, um einen konstanten, ordnungsgemäßen Kondensatablauf zu gewährleisten.



Stellen Sie sicher, dass das Gefälle des Kondensatablaufs nicht parallel zum Gerät oder zurück zum Gerät verläuft.

Wenn es sich bei dem gewählten Gerät um ein EVO 2 ERV oder EVO 2 ERV PR handelt, ist der Kondensatablauf nicht erforderlich.

Der Einbauort muss sowohl für die routinemäßige Wartung (Filterwechsel) als auch für außerordentliche Wartungsarbeiten (Öffnen des Geräts, Entfernen und Reinigen von Wärmetauscher und Lüftern usw.) ausreichend Platz bieten.

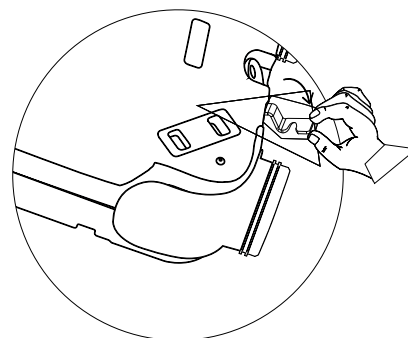
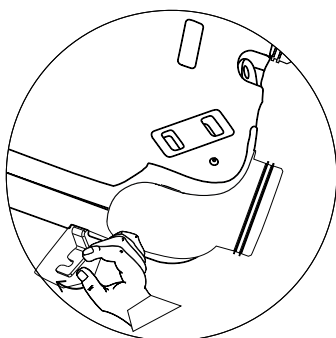


Das Gerät ist für die Wand- oder Deckenmontage ausgelegt. Eine Bodenmontage ist NICHT möglich.

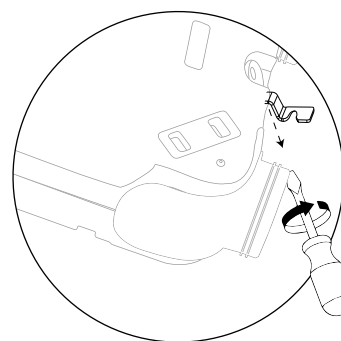
5.4. Deckenmontage

1. Das Gerät wird mit Schwingungsdämpfer geliefert. Gehen Sie wie folgt vor, um die zu montieren.

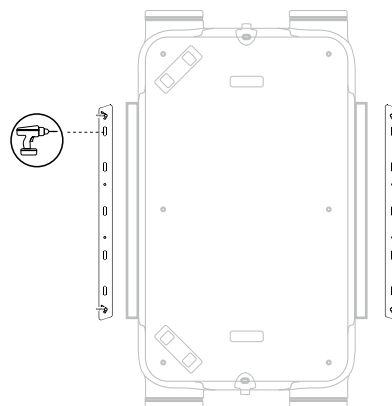
- Setzen Sie die Schwingungsdämpfer an die Längs- oder Schmalseite je nach Installationsanforderungen.



- Schrauben Sie die Schwingungsdämpfer fest.



- Bohren Sie entsprechend den Markierungen Löcher in die Oberfläche und schrauben Sie die Halterungen in die Langlöcher.
 - Längsseite:



EN

DE

IT

ET

LT

LV

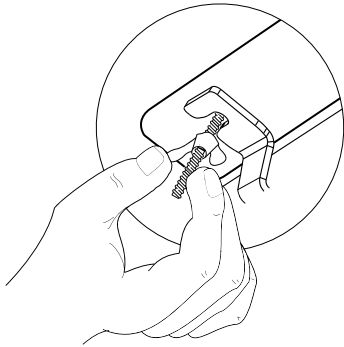
▪ Schmalseite:



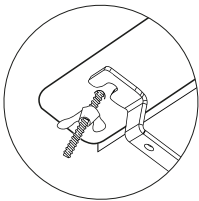
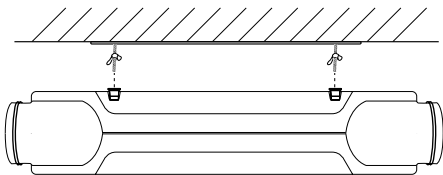
WICHTIG!

Die Halterungen müssen an den Längsseiten einen Abstand von 630 mm (Standardversion) und an den Schmalseiten einen Abstand von 1035 mm aufweisen.

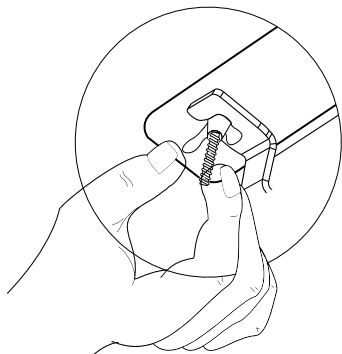
3. Drehen Sie die Flügelmuttern los, bis sie ca. 1 cm vom Gewinde freigeben.



4. Setzen Sie das Gerät oben an der Führung an und schieben Sie es auf, bis es mit der Gewindestange in Eingriff kommt.



5. Ziehen Sie die Flügelmuttern wieder an, um das Gerät an der Halterung zu befestigen.



5.5. Wandmontage

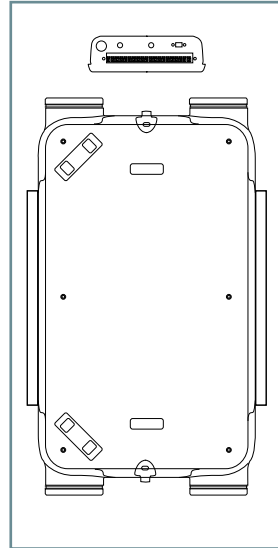


Das Gerät muss senkrecht montiert und in der senkrechten Ebene ausgerichtet werden, um eine wirksame Kondensatableitung zu gewährleisten.

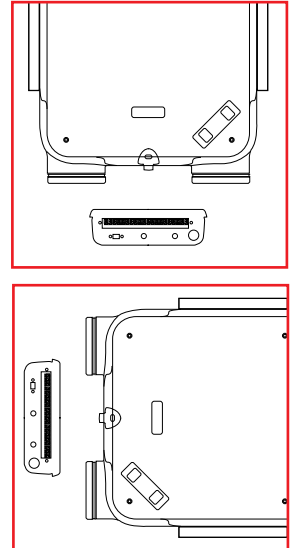


NUR mit der Steuerplatine nach oben montieren. Das Gerät darf nicht verkehrt herum, d. h. mit der Steuerplatine nach unten oder seitlich, montiert werden.

Richtige Montage

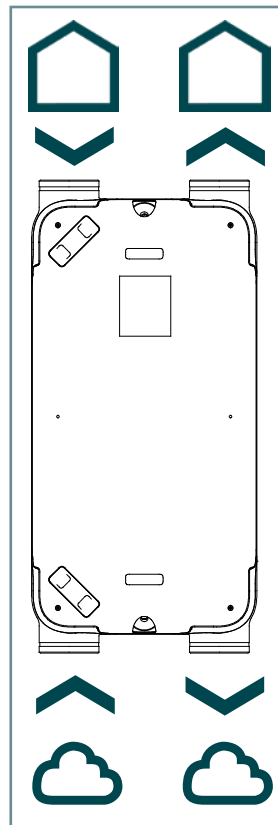


FALSCHE Montagen

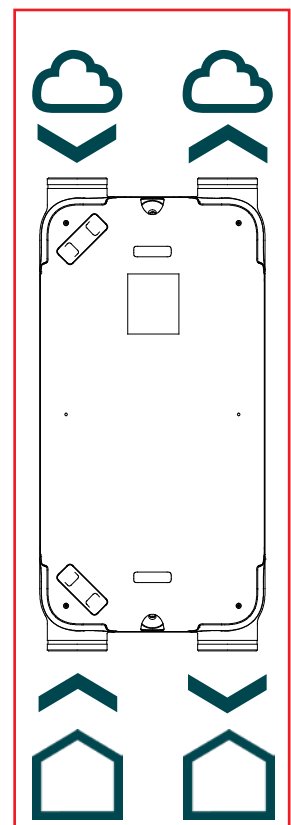


Montieren Sie das Gerät mit dem standard Wärmetauscher (HRV) NUR in der „Spiegelversion“, d. h. mit Außen- und Fortluft nach unten.

Richtige Montage



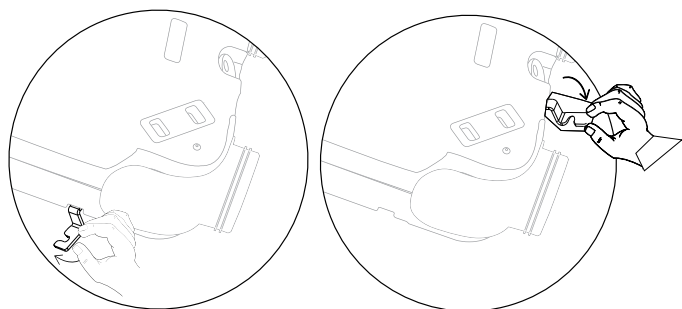
FALSCHE Montage



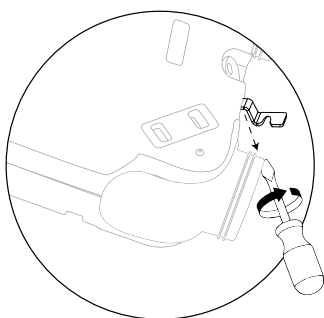
- EN
- DE
- IT
- ET
- LT
- LV

1. Das Gerät wird mit Schwingungsdämpfer geliefert. Gehen Sie wie folgt vor, um die zu montieren.

- Setzen Sie die Schwingungsdämpfer an die Längs- oder Schmalseite je nach Installationsanforderungen.

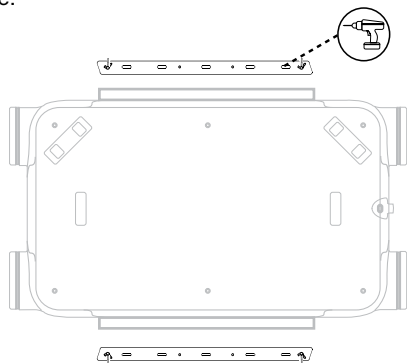


- Schrauben Sie die Schwingungsdämpfer fest.

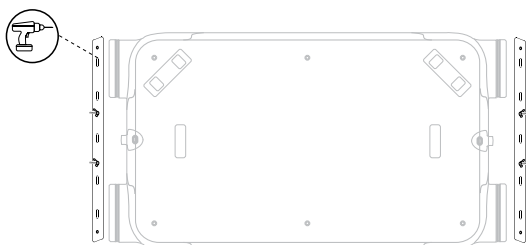


2. Bohren Sie entsprechend den Markierungen Löcher in die Oberfläche und schrauben Sie die Halterungen in die Langlöcher.

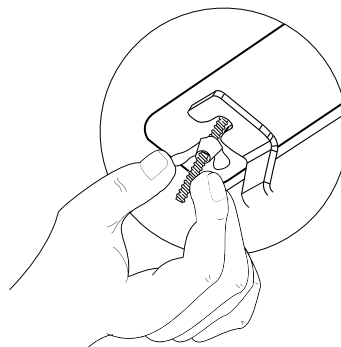
- Längsseite:



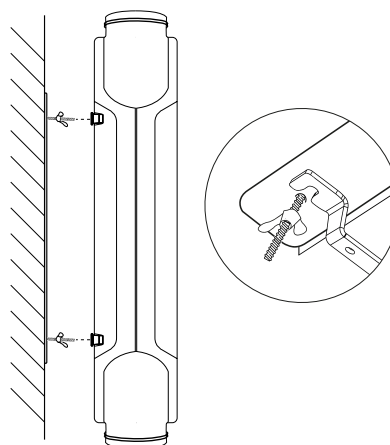
- Schmalseite:



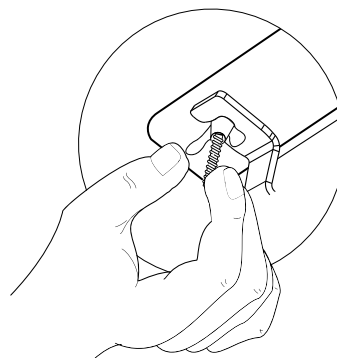
3. Drehen Sie die Flügelmuttern los, bis sie ca. 1 cm vom Gewinde freigegeben.



4. Setzen Sie das Gerät oben an der Führung an und schieben Sie es auf, bis es mit der Gewindestange in Eingriff kommt.



5. Ziehen Sie die Flügelmuttern wieder an, um das Gerät an der Halterung zu befestigen.



WICHTIG!

Die Halterungen müssen an den Längsseiten einen Abstand von 630 mm (Standardversion) und an den Schmalseiten einen Abstand von 1035 mm aufweisen.

EN

DE

IT

ET

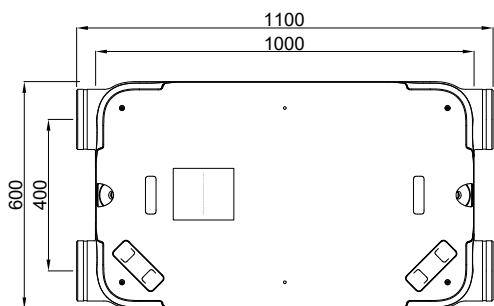
LT

LV

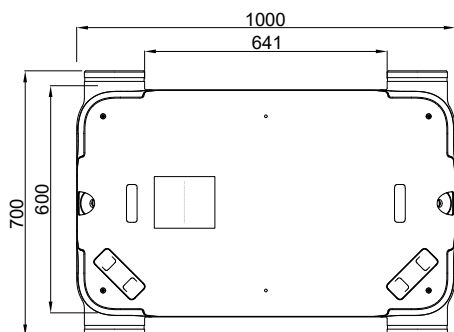
5.6. Positionieren der Anschlüsse

Gehen Sie wie folgt vor, um die Anschlussstutzen zu drehen.

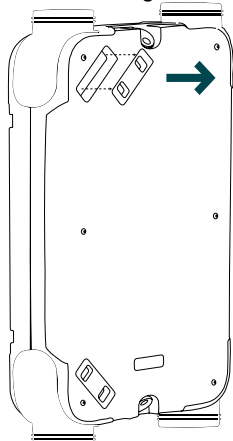
- Standardkonfiguration:



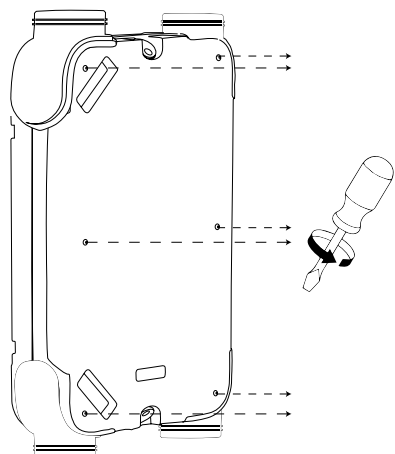
- Konfiguration mit um 90° gedrehten Anschlussstutzen:



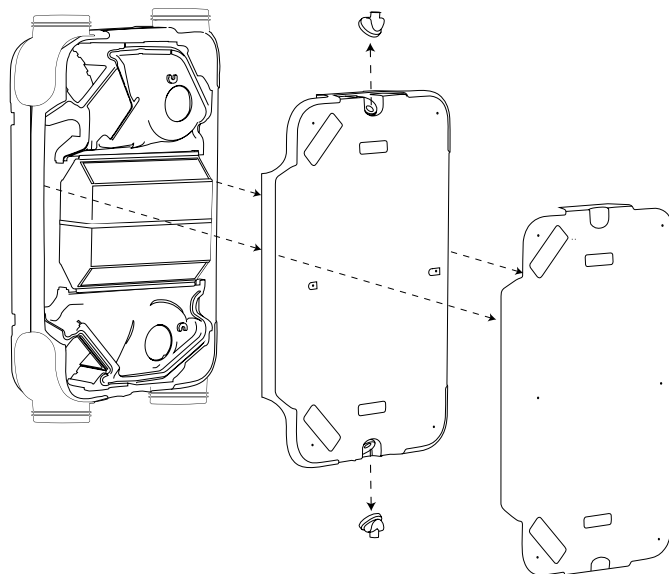
1. Entfernen Sie die Filterabdeckungen



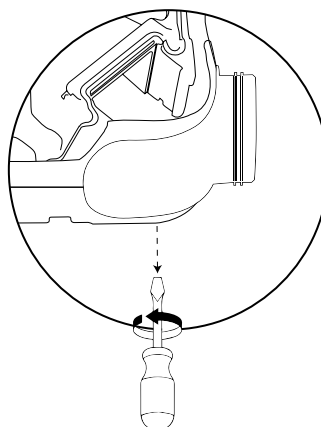
2. Lösen Sie die Schrauben der Gerätefrontabdeckung



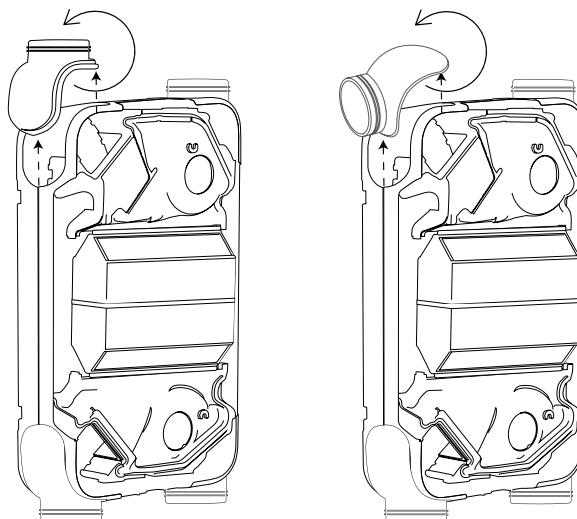
3. Entfernen Sie die Frontabdeckung und die obere Abdeckung aus Polypropylen, um das Innere des Geräts freizulegen



4. Lösen Sie die Halteschrauben der EPP-Anschlussstutzen



5. Heben die Anschlussstutzen ab, drehen Sie sie entsprechend und setzen Sie sie wieder ein



EN

DE

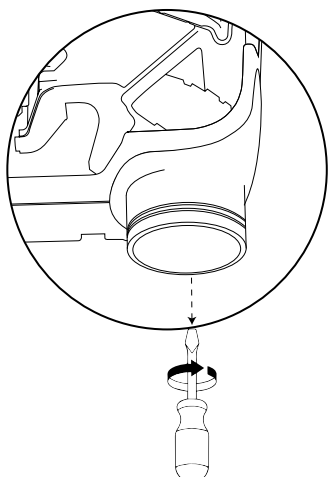
IT

ET

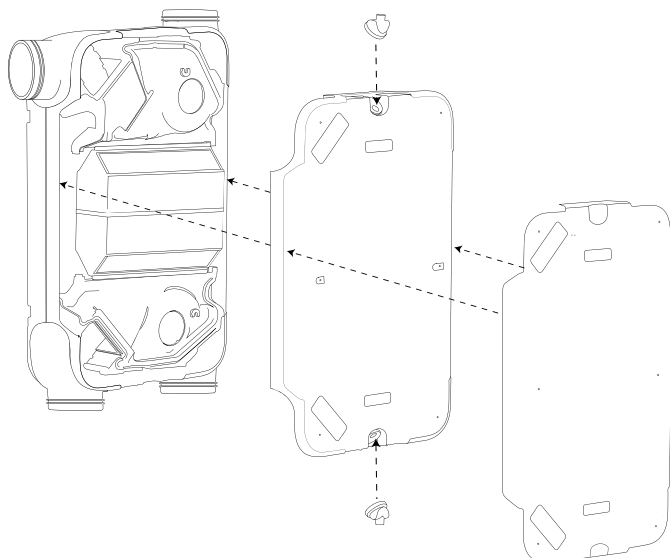
LT

LV

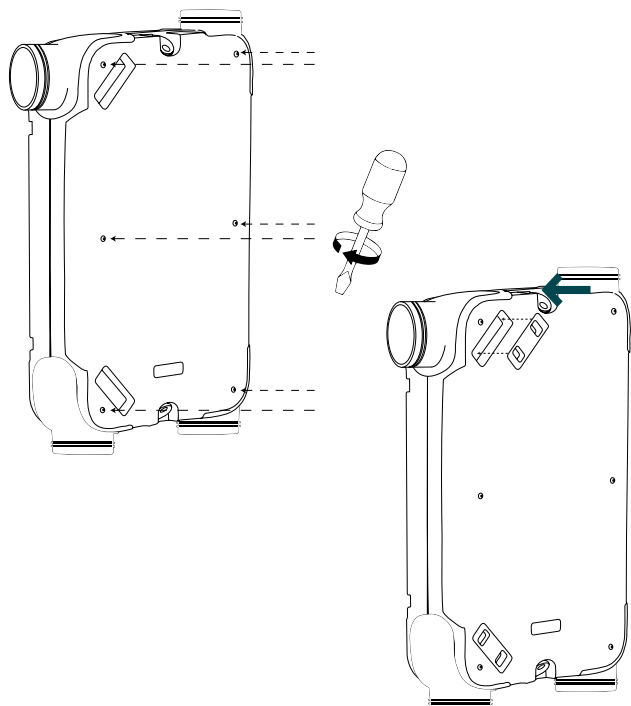
6. Ziehen Sie die Verbindungsschrauben wieder an



7. Setzen Sie die obere Abdeckung aus Polypropylen und die Gerätefrontabdeckung wieder ein



8. Ziehen Sie die Schrauben wieder an und setzen Sie die Filterabdeckungen wieder auf



5.7. Anschluss des Kondensatablaufs

Die Geräte Zehnder EVO 2 HRV und Zehnder EVO 2 HRV PR sind mit einem Kondensatablaufsystem zu versehen.

Bei den Geräten EVO 2 ERV und EVO 2 ERV PR ist dies nicht erforderlich.

Schrauben Sie den 1/2-Zoll-Außengewindesiphon (nicht im Lieferumfang enthalten, muss separat bestellt werden) auf den Kondensatablaufstutzen des Geräts.

Für eine ordnungsgemäße Wartung ist der Siphon so zu installieren, dass er leicht ausgebaut und inspiziert werden kann.

Der Kondensatablaufanschluss des Geräts kann horizontal ausgerichtet sein oder nach unten zeigen.

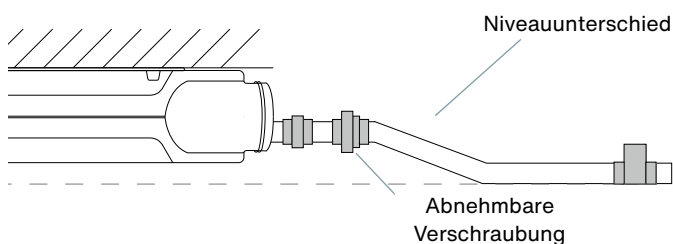


Stellen Sie sicher, dass das Gefälle des Kondensatablaufs nicht parallel zum Gerät oder zurück zum Gerät verläuft.

Wichtig!

Bei Geräten vom Typ EVO HRV und EVO HRV PR wird nur ein Kondensatablauf angeschlossen, der andere muss mit einem Stopfen verschlossen werden. Bei Geräten vom Typ EVO ERV und EVO ERV PR müssen beide Kondensatabläufe mit Stopfen verschlossen werden. Die Stopfen sind im Lieferumfang enthalten.

Nachfolgend finden Sie die Anweisungen zum Einbau des Kondensatablauf für ein horizontal montiertes EVO-Gerät:



Wenn das Gerät horizontal an einer Decke montiert wird, muss der Kondensatablauf unter dem Niveau des Geräts selbst liegen.

Warnung!

Die Garantie gilt unter der Voraussetzung, dass ein original Trockensiphon von Zehnder eingebaut und das Kondensatabflusssystem korrekt ausgeführt ist. Ansonsten sieht sich Zehnder im Falle einer Beschädigung der Anlage von jeglicher Verantwortung entbunden.

EN

DE

IT

ET

LT

LV

6. Elektrische Anschlüsse

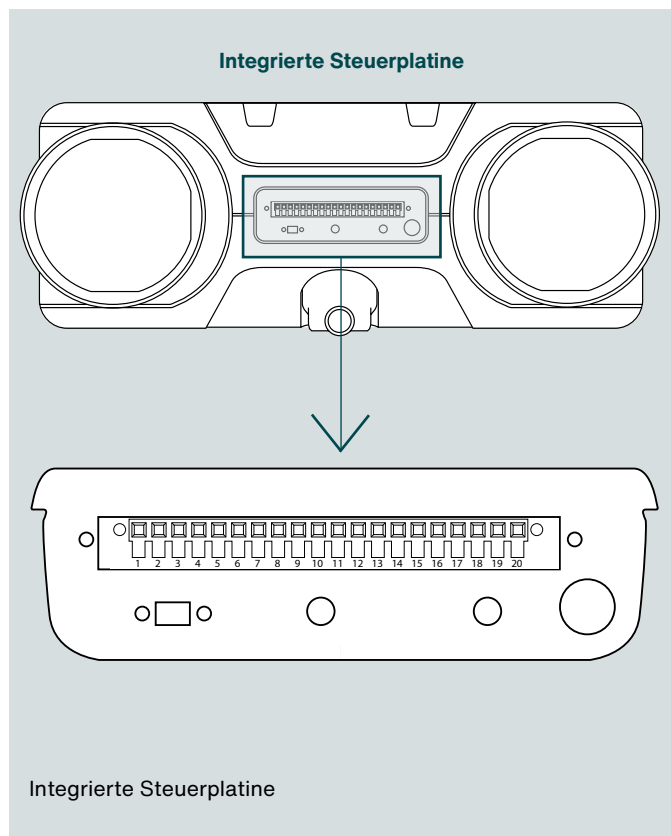
Der Anschluss an die Netzstromversorgung muss gemäß den behördlichen Normen erfolgen.

Die Lüfter und die Elektronikplatine arbeiten mit einer Versorgungsspannung von 230 V.



Bei allen Arbeiten am Gerät, bei der Montage und bei der Wartung muss die Netzstromversorgung unterbrochen werden.

Farbcodierung der Verkabelung	
Braun	Spannungsführend
Blau	Neutral
Grün/gelb	Masse



Beschreibung der Anschlüsse		
Anschl.	Beschreibung	Leiterplatte
STIFT 1	Hausautomatisierung - 10 V	X-26
STIFT 2	Hausautomatisierung - 0 V	X-26
STIFT 3	Hausautomatisierung- potenzialfreier Kontakt	X-25
STIFT 4	Hausautomatisierung - potenzialfreier Kontakt	X-25
STIFT 5	Nicht verwendet	-
STIFT 6	Nicht verwendet	-
STIFT 7	Nachheizer 10-V-Ausgang (*)	X-16
STIFT 8	Nachheizer 0-V-Ausgang (*)	X-16
STIFT 9	„Spiegelmodus“ NO/NC (*)	X-32
STIFT 10	„Spiegelmodus“ NO/NC (*)	X-32
STIFT 11	Nicht verwendet	-
STIFT 12	Wahlschalter V1 Common	X-510
STIFT 13	Wahlschalter V2	X-510
STIFT 14	Wahlschalter V3	X-510
STIFT 15	230-V-Ausgang Vorheizregister (**)	X-17
STIFT 16	Erdungsausgang Vorheizregister (**)	X-17
STIFT 17	Neutralausgang Vorheizregister (**)	X-17
STIFT 18	Nicht verwendet	X-28
STIFT 19	Nicht verwendet	X-28
STIFT 20	Nicht verwendet	X-28

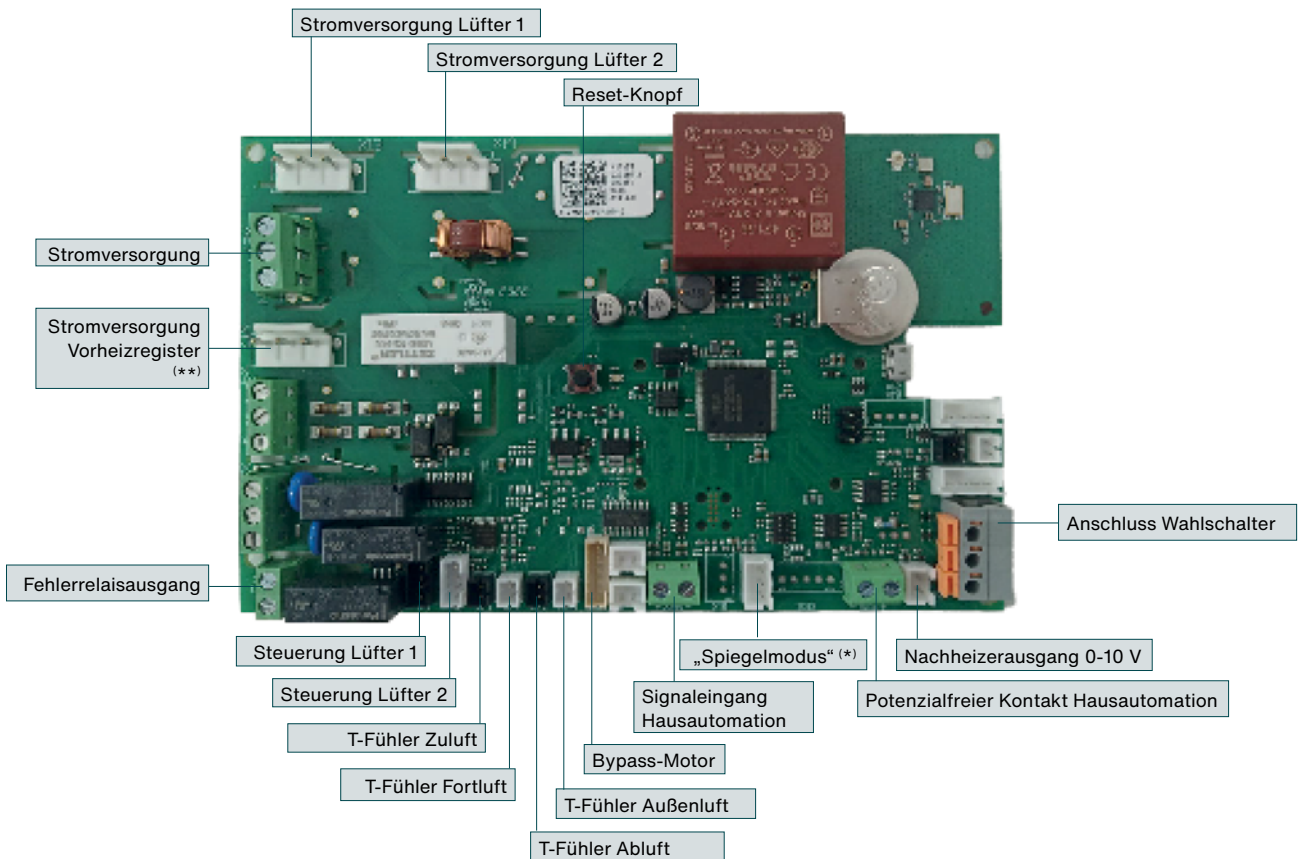
(*) Pin nicht verwendet bei den Modellen Zehnder EVO 2 HRV PR und Zehnder EVO 2 ERV PR

(**) Bei Modellen mit serienmäßigem Vorheizregister werden diese Stifte nicht für das Vorheizregister, sondern für den Nachheizer (optional) verwendet.

- EN
- DE
- IT
- ET
- LT
- LV



- EN
- DE
- IT
- ET
- LT
- LV



(*) Bei den Modellen Zehnder EVO 2 HRV PR und EVO 2 ERV PR nicht verwendet.

(**) Verwendet für Nachheizerausgang in den Modellen Zehnder EVO 2 HRV PR und EVO 2 ERV PR.

7. Bedienelemente und Konnektivität

Die Geräte der Serie Zehnder EVO können auf verschiedene Weise überwacht und gesteuert werden. Nachfolgend finden Sie eine Liste der verfügbaren Zubehörteile.

7.1. Zehnder Multi Control (kabelgebunden)

Die Geräte Zehnder EVO können anhand der Zehnder EVO Multi Control Bedieneinheit gesteuert werden.



Das Lüftungsgerät arbeitet standardmäßig mit der niedrigsten Lüfterstufe. Über die integrierten Relais aktiviert Multi Control die zweite und dritte Lüfterstufe, wenn dies vom Benutzer angefordert wird oder wenn es für die Nachbehandlung erforderlich ist.

Mit der Multi Control kann der Benutzer den manuellen oder automatischen Betriebsmodus auswählen, wöchentliche Zeitprogramme einstellen und den Filterwechselalarm anzeigen.



Wenn zusätzlich zu Multi Control ein weiteres Steuergerät wie Zehnder EVO Sense RF zur Überwachung und Steuerung des Lüftungsgeräts angeschlossen ist, muss dieses Steuergerät jederzeit im manuellen Modus und auf Lüfterstufe 1 bleiben. Andernfalls funktioniert Multi Control nicht ordnungsgemäß.



Die Zehnder Multi Control kann mit der App „Zehnder Multi Controller“ verbunden werden, die das Lüftungsgerät, die Wärmezonen und die Heizungsanlage überwacht und steuert.

7.2. Zehnder EVO Sense RF



Das drahtlose intelligente Steuergerät EVO Sense kommuniziert über RF (Radiofrequenz) mit dem Lüftungsgerät und ermöglicht die Auswahl von fünf verschiedenen Volumenströmen (Stufe 1-3, Boost, Abwesenheit). Außerdem können Benutzer Zeitprogramme und den automatischen Betriebsmodus einstellen.

Es ist eine intelligente Benutzer- und Installationsschnittstelle zur Überwachung und Inbetriebnahme des angeschlossenen Lüftungsgeräts.

7.3. Zehnder EVO Switch RF



Das drahtlose Tastensteuergerät EVO Switch kommuniziert mit dem Lüftungsgerät über RF (Radiofrequenz) und bietet vier verschiedene Betriebsarten zur Auswahl (Abwesenheit, Anwesenheit, manueller Boost, zeitlichbegrenzter Boost). Es verfügt über eine Filterwechselalarmanzeige.

7.4. Zehnder EVO CO₂-Sensor (via Funk)



Der drahtlose CO₂-Sensor ermöglicht die Lüftungsgeräte Zehnder EVO im manuellen oder automatischen Modus je nach gemessenem CO₂-Gehalt zu steuern. Er passt automatisch die Lüftergeschwindigkeit gemäß dem gemessenem CO₂-Gehalt an.

7.5. Zehnder EVO RH - Feuchtesensor (via Funk)



Der drahtlose Feuchtesensor ermöglicht die Lüftungsgeräte Zehnder EVO im manuellen oder automatischen Modus je nach gemessene relative Luftfeuchtigkeit zu steuern. Im Automatik-Modus passt das Gerät die Lüftergeschwindigkeit entsprechend den vom Sensor gelieferten Informationen an. Ein zeitlich begrenzter Boost ermöglicht eine vorübergehende Höchstgeschwindigkeit der Lüfter.

EN

DE

IT

ET

LT

LV


7.6. Intelligente Konnektivität

Mit Hilfe folgenden Schnittstellen können Sie Ihr Zuhause in ein Smart Home verwandeln:

- Zehnder EVO Connect ModBus (via Funk)
- Zehnder EVO Connect ModBus-KNX

7.6.1. Zehnder EVO Connect ModBus (via Funk)


Das Modul Zehnder EVO Connect ModBus stellt die Verbindung zwischen Lüftungsgeräten Zehnder EVO und der Infrastruktur eines Gebäudemanagement mit ModBus-Kommunikationsprotokoll her. Zehnder EVO Connect ModBus ermöglicht die Verbindung in ein BMS-System des Lüftungsgerätes sowie all dessen per Funk verbundenen Steuerungen (z.B. Feuchte- oder CO₂-Sensoren). Alle Daten werden drahtlos an Zehnder EVO Connect ModBus übertragen, was über RS 485 mit dem Gebäudemanagementsystem verbunden ist.

 **EVO Connect ModBus benötigt eine Stromversorgung mit 24 V AC/DC, um ordnungsgemäß zu funktionieren.**



7.6.2. Zehnder EVO Connect ModBus - KNX

Das Gerät „EVO Connect ModBus - KNX“ ist ein ModBus/KNX-Modul für die Verdrahtung mit dem Gateway EVO Connect ModBus, um die vom Gateway gesammelten Daten zu übersetzen und per Kabel an die Gebäudeautomation (BMS) zu senden. Es sammelt Daten von den EVO-Geräten und eventuell angeschlossenen kompatiblen Sensoren (relative Luftfeuchte/CO₂) und drahtlosen Steuergeräten (EVO Sense/EVO Switch).

 **EVO Connect ModBus - KNX benötigt eine Stromversorgung mit 24 V AC/DC, um ordnungsgemäß zu funktionieren.**



EN

DE

IT

ET

LT

LV

8. Inbetriebnahme

Das Lüftungsgerät kann nach der Montage in Betrieb genommen werden. Gehen Sie wie folgt vor.

- Lesen Sie vor dem Start die Anweisungen zur Inbetriebnahme durch.
- Schließen Sie alle Fenster sowie Außen- und Innentüren.
- Überprüfen Sie, ob alle Ventile richtig montiert sind und öffnen Sie sie so weit wie möglich.
- Stellen Sie sicher, dass sich das gesamte Lüftungsgerät und alle Ventilfilter in neuwertigem Zustand befinden. Verschmutzte Filter können das Resultat des Inbetriebnahmeprozesses verfälschen.
- Lüftungsgerät auf Lüfterstufe 3 stellen. Der Automatikbetrieb darf nicht aktiviert sein.
- Stellen Sie sicher, dass die Spalte unter den Türen oder die Durchgangsgitter frei sind und die Luft frei passieren kann. In diesem Zustand müssen sie während des gesamten späteren Betriebs des Lüftungsgeräts bleiben.
- Beginnen Sie mit dem Einstellen der Ventile; starten Sie dabei mit dem Ventil, das den geringsten Luftstrom erhält (normalerweise das Ventil, das am weitesten vom Lüftungsgerät entfernt ist). Verwenden Sie ein kalibriertes Messgerät, um den erforderlichen Nennluftstrom an jedem Ventil einzustellen.
- Um den Energieverbrauch zu minimieren, stellen Sie sicher, dass ein Ventil für die Frischluftzufuhr und ein Ventil für die Ableitung der verbrauchten Luft vollständig geöffnet sind.
- Wiederholen Sie die Volumenstromeinstellung, bis alle Ventile auf den erforderlichen Durchfluss eingestellt sind.
- Wenn es nicht möglich ist, die Luftmenge mit den eingestellten Drehzahlen abzustimmen, kann die Lüfterdrehzahl entsprechend den erforderlichen Volumenströmen eingestellt werden.

9. Betrieb

Das Gerät wird anschlussfertig für den Anschluss an die Stromversorgung geliefert und arbeitet vollautomatisch. Die aus den Innenräumen abgesaugte verbrauchte Luft überträgt Wärmeenergie auf die Außenluft. Die frische, saubere Luft wird dem Inneren des Hauses mit einer vorkonditionierten Temperatur zugeführt, im Sommer kühl und im Winter warm, was zu erheblichen Energieeinsparungen führt.

Das Gerät wird mit einem konstanten Volumenstrom geregelt, d. h. die Luftzufuhr- und Abluftvolumenströme werden unabhängig vom Druckabfall im Kanalnetz erreicht.

9.1. Bypass

Der serienmäßige Bypass ermöglicht die direkte Zufuhr von Außenluft, die nur durch den Filter, nicht aber durch den Wärmetauscher strömt, um die günstigen Außentemperaturen zu bestimmten Zeiten zu nutzen, z. B. nachts im Sommer, wenn es vorteilhaft ist, Frischluft einzulassen, um die Temperatur in der Wohnung ohne Kostenaufwand zu senken („passive Kühlung“). Das Bypassventil wird automatisch aktiviert, wenn bestimmte Bedingungen erfüllt sind, wie in der folgenden Tabelle dargestellt.

Betrieb des Bypasses	
Bypass offen	<ul style="list-style-type: none"> ▪ Die Außentemperatur liegt über 10 °C. ▪ Im Sommer, ist die Außentemperatur 3 °C kühler als die Ablufttemperatur und niedriger als die Komforttemperatur. Im Winter, ist die Außentemperatur 3 °C wärmer als die Ablufttemperatur und höher als die Komforttemperatur.
Bypass geschlossen	<ul style="list-style-type: none"> ▪ Die Außentemperatur liegt unter 10 °C. ▪ Im Sommer, ist die Außentemperatur höher als die Ablufttemperatur und höher als die Komforttemperatur. Im Winter, ist die Außentemperatur niedriger als die Ablufttemperatur und niedriger als die Komforttemperatur.

9.2. Frostschutz

WARNUNG!

Das Zehnder EVO erkennt automatisch die aktuelle Jahreszeit.

Damit sich am Wärmetauscher bei sehr niedrigen Außentemperaturen kein Eis bildet, ist das Zehnder EVO mit einer Frostschutzregelung ausgestattet.

Je nach gemessenen Temperaturen im Wärmetauscher, gehen die Ventilatoren bei Bedarf in Disbalance.

Ab -2 °C für Zehnder EVO-Geräten mit Standard- oder Enthalpietauscher ohne Vorheizregister und ab -16 °C für Zehnder EVO-Geräten mit Standard- oder Enthalpietauscher mit Vorheizregister, schaltet das Gerät aus, um eine Beschädigung des Wärmetauschers zu verhindern. Die Temperatur wird stündlich geprüft, um zu schauen, ob das Gerät wieder sicher starten kann.



10. Wartungsverfahren



Führen Sie alle in diesem Abschnitt aufgeführten vorbeugenden Wartungsarbeiten regelmäßig durch. Wenn vorbeugende Wartungsarbeiten nicht regelmäßig durchgeführt werden, wird die Leistung der Lüftungsanlage beeinträchtigt.



Bevor Sie mit der Wartung beginnen, lassen Sie das Lüftungsgerät zwei Minuten lang mit Lüfterstufe 3 laufen, um das Kondensat aus dem Wärmetauscher zu entfernen.



Wenn eine Komponente ausgetauscht werden muss, bestellen Sie ein Original-Ersatzteil bei Zehnder und lassen Sie alle Arbeiten von einem Mitarbeiter von Zehnder ausführen.



Mit Ausnahme des Filteraustauschs müssen alle Wartungsarbeiten von Fachpersonal durchgeführt werden.



Sofern nicht anders angegeben, ist das Lüftungsgerät vor Beginn der Wartungsarbeiten stets von der Stromversorgung zu trennen. Wenn das Gerät im geöffneten Zustand betrieben wird, besteht eine reale Gefahr von Personenschäden. Stellen Sie sicher, dass es nicht versehentlich in Betrieb genommen werden kann.



Ergreifen Sie geeignete Maßnahmen, um elektrostatische Entladungen bei der Arbeit mit der Elektronik zu verhindern, da elektrostatische Elektrizität diese irreparabel beschädigen kann.

10.1.1. Wartung der Luftfilter

Dieser Wartungsvorgang kann vom Benutzer durchgeführt werden.

Die Filter sollten alle drei Monate überprüft werden. Bei groben Verschmutzungen (Insekten, kleine Pflanzenteile usw.) können sie mit dem Staubsauger gereinigt und wieder in das Gerät eingesetzt werden.

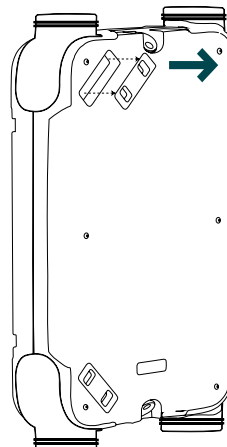
Filter müssen mindestens halbjährlich gewechselt werden. Besorgen Sie sich vorab Ersatzfilter und achten Sie darauf, dass es sich um Originalfilter von Zehnder handelt.

WARNUNG!

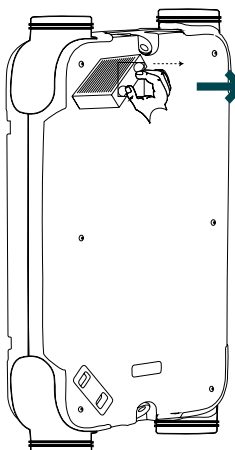
Zehnder EVO darf niemals ohne Zehnder-Originalfilter betrieben werden.

1. Wenn eine Bedieneinheit Zehnder EVO Sense RF verwendet wird, führen Sie den Filterwechsellvorgang an der Steuerung aus. Andernfalls schalten Sie das Gerät aus. Wenn das Gerät an Zehnder EVO Switch RF oder Zehnder Multi Control angeschlossen ist, denken Sie daran, den Filterwechselalarm zurückzusetzen, sobald der Vorgang abgeschlossen ist.

2. Entfernen Sie die Filterabdeckungen.



3. Entfernen Sie die gebrauchten Filter vorsichtig aus dem Filterfach. Wenn die beiden Filter nicht identisch sind, achten Sie auf ihre Position: **Beachten Sie bitte, dass der ISO Coarse Filter in die Abluft eingesetzt wird und der ISO ePM1 Filter in die Außenluft.**



EN

DE

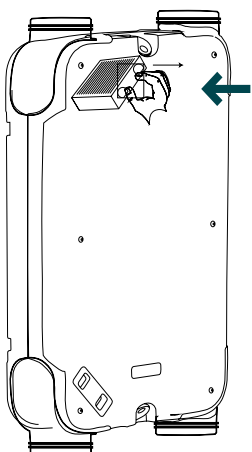
IT

ET

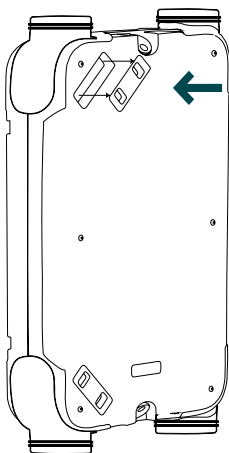
LT

LV

4. Schieben Sie die neuen Filter vorsichtig in das Filterfach ein.




5. Setzen Sie die Filterabdeckungen wieder ein.



6. Starten Sie die Lüftungsanlage neu.

 Wenn die Filter des Geräts gewechselt werden, reinigen Sie auch die Filter an den Abluftventilen, Abdeckgittern und Luftauslässen.

 Entsorgen Sie den verschmutzten Filter als nicht recycelbaren Abfall.

10.2. Reinigung des Lüftungsgeräts

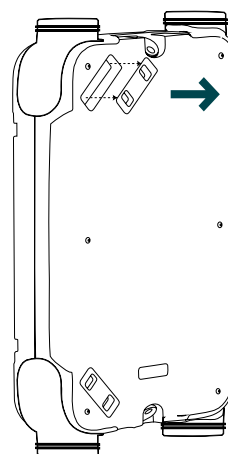
Alle internen Komponenten des EVO-Geräts (Wärmetauscher, Lüfter usw.) müssen alle zwei Jahre überprüft und gereinigt werden.

WARNUNG!

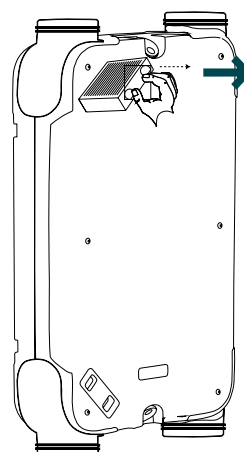
Diese Wartungsarbeiten dürfen nur von einem von Zehnder autorisierten, qualifizierten Techniker durchgeführt werden. Wenden Sie sich an Ihre nächste Zehnder Vertretung.

1. Trennen Sie das Gerät von der Stromversorgung.

2. Entfernen Sie die Filterabdeckungen.



3. Entfernen Sie die gebrauchten Filter vorsichtig aus dem Filterfach. Wenn die beiden Filter nicht gleich sind, beachten Sie ihre Positionen: **Beachten Sie bitte, dass der ISO Coarse Filter in die Abluft eingesetzt wird und der ISO ePM1 Filter in die Außenluft.**



EN

DE

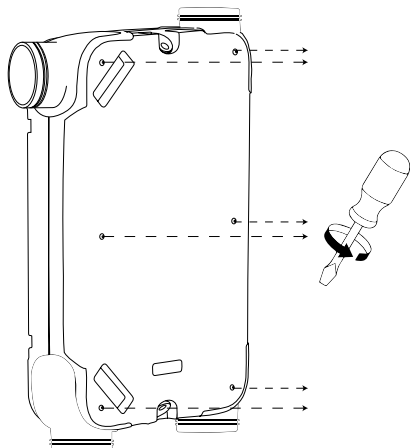
IT

ET

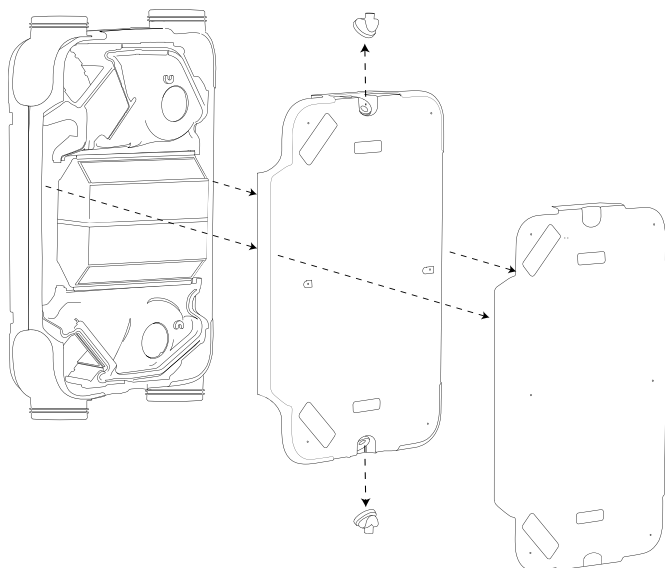
LT

LV

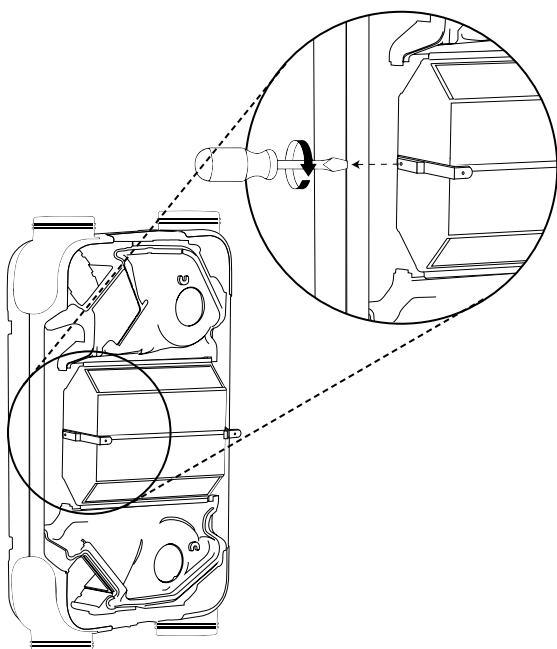
4. Entfernen Sie die Schrauben der Gerätefrontabdeckung



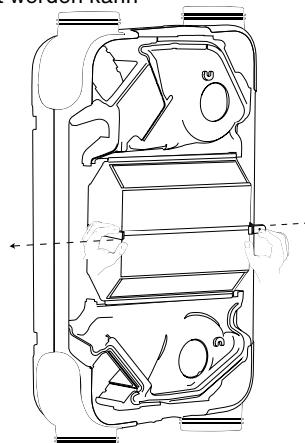
5. Entfernen Sie die Frontabdeckung und die obere Abdeckung aus Polypropylen, um den Wärmetauscher, die Lüfter und den Bypasskanal freizulegen.



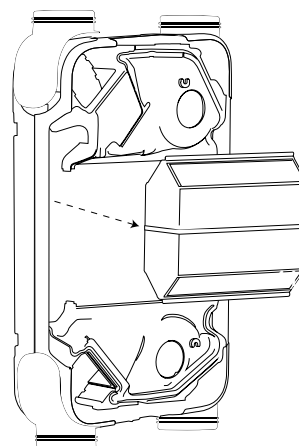
6. Lösen und entfernen Sie den linken Montagewinkel



7. Lösen Sie die Halterungen, die den Wärmetauscher halten, so dass er entfernt werden kann

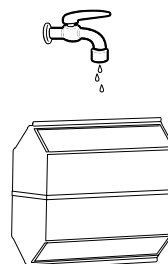


8. Entfernen Sie den Wärmetauscher



Entfernen Sie den Wärmetauscher vorsichtig. Im Wärmetauscher befindet sich möglicherweise etwas Kondensat.

9. Reinigen Sie den Wärmetauscher unter fließendem Wasser



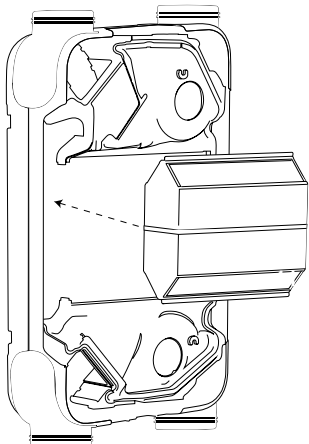
10. Überprüfen Sie, ob das sichtbare Innere des Geräts sauber ist: Wärmetauscherfach, Bypasskanal, Polypropylen Teile. Bei Bedarf mit einem weichen Tuch reinigen.

11. Reinigen Sie die Lüfter mit einer Bürste versehenen Staubsauger und vergewissern Sie sich, dass sie nicht beschädigt sind. Falls doch, ersetzen Sie sie.

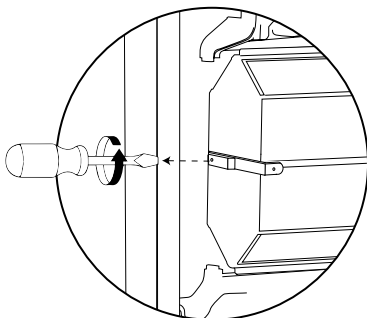
- EN
- DE
- IT
- ET
- LT
- LV

12. Sobald die Reinigungsarbeiten abgeschlossen sind, bauen Sie das Gerät wieder zusammen.

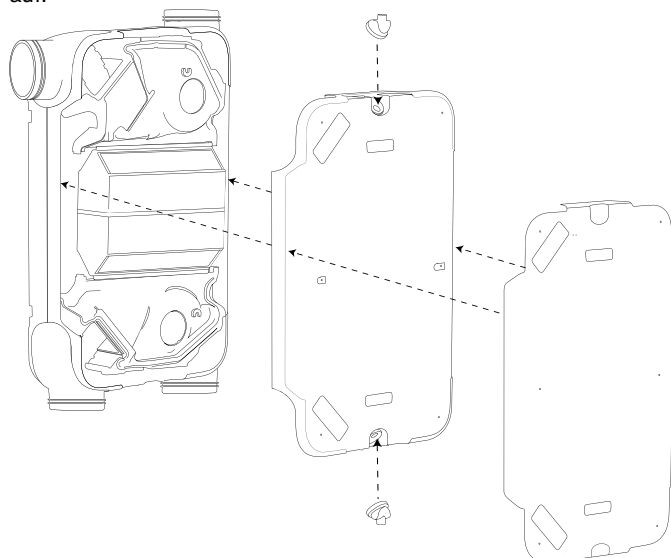
13. Setzen Sie den Wärmetauscher wieder in sein Fach ein



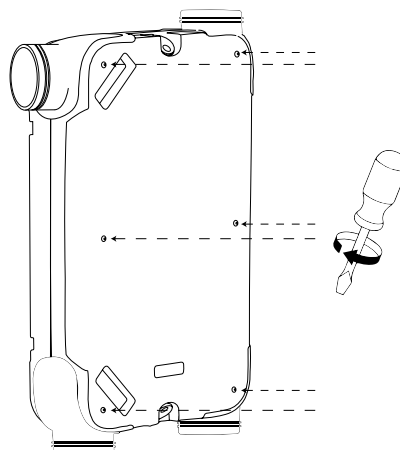
14. Setzen Sie die linke Halterung wieder ein und ziehen Sie die Schraube wieder fest



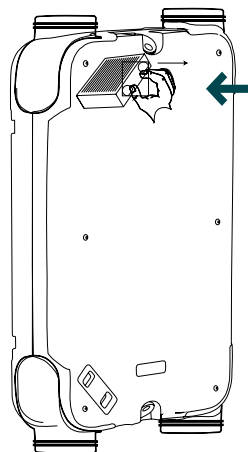
15. Setzen Sie die Polypropylen- und Gerätefrontabdeckung wieder auf.



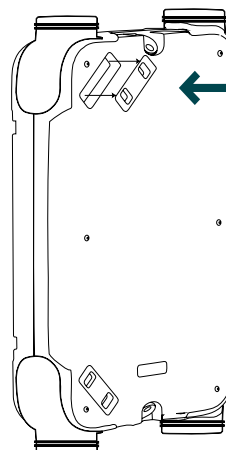
16. Ziehen Sie die Schrauben an der Frontabdeckung wieder fest.



17. Schieben Sie die Filter vorsichtig wieder in das Filterfach ein.



18. Bringen Sie die Filterabdeckungen wieder an



Stellen Sie sicher, dass die obere Abdeckung aus Polypropylen perfekt auf die Unterseite ausgerichtet ist, ohne Spalte an den Seiten. Überprüfen Sie andernfalls, ob die Drähte korrekt in die dafür vorgesehenen Nuten eingepasst sind.

EN

DE

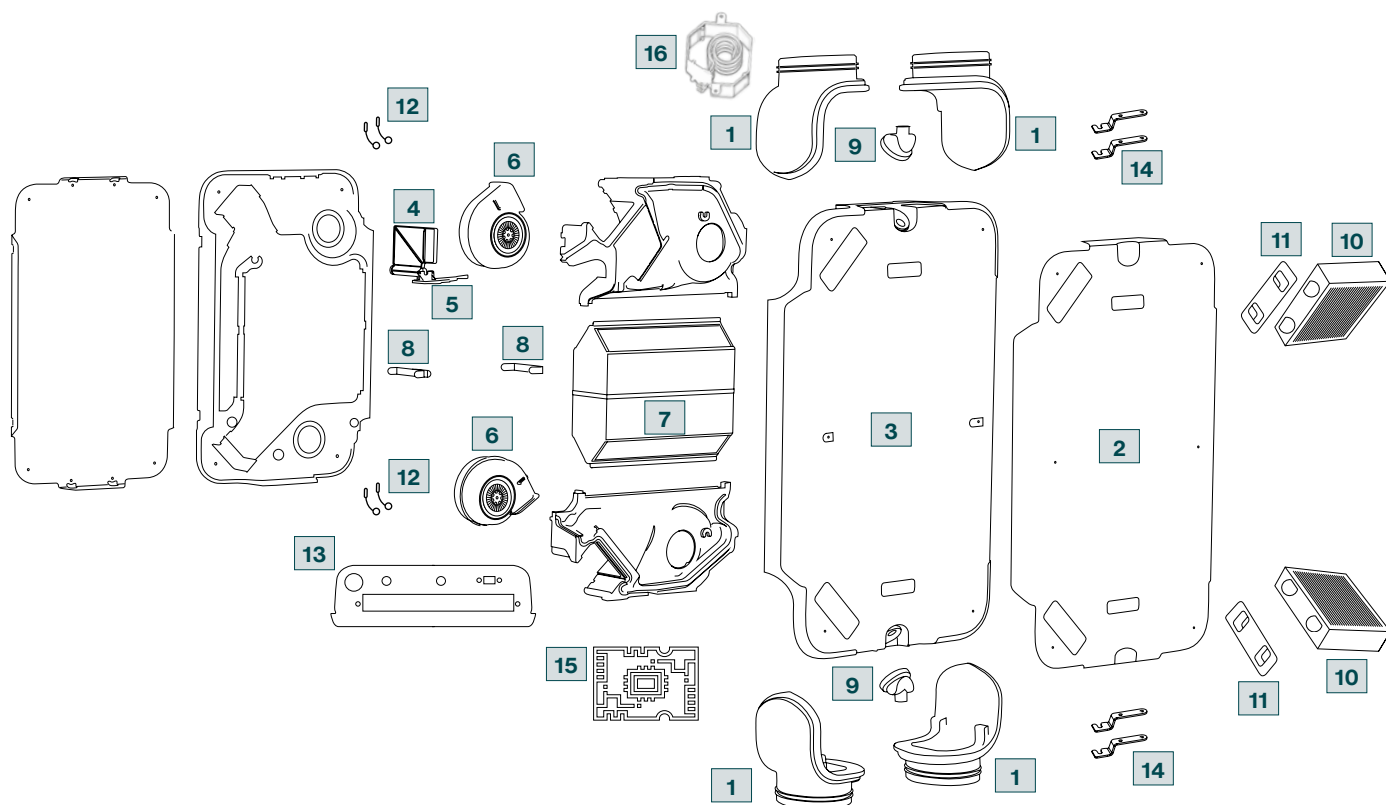
IT

ET

LT

LV

11. Geräteübersicht und Beschreibung der Komponenten



Nr.	Komponentenbeschreibung	Stückzahl
1	Drehbare Anschlussstutzen	4 Stück
2	Frontabdeckung	1 Stück
3	EPP für Lüfter, Wärmetauscher, Elektronik	1 Stück
4	Bypassventil	1 Stück
5	Bypassmotor	1 Stück
6	Ventilatoren	2 Stück
7	Wärmetauscher / Enthalpietauscher	1 Stück
8	Halterungen für Wärmetauscher	2 Stück
9	Schwenkbarer Kondensatablaufstutzen	2 Stück
10	Hochleistungsfilter	2 Stück
11	Filterabdeckung	2 Stück
12	Temperaturfühler	4 Stück
13	Anschlussplatine	1 Stück
14	Schwingungsdämpfer	4 Stück
15	Hauptplatine	1 Stück
16	Vorheizregister (*)	1 Stück

(*) Nur bei den Modellen Zehnder EVO 2 HRV PR und Zehnder EVO 2 ERV PR enthalten.

- EN
- DE
- IT
- ET
- LT
- LV

IT Manuale installatore

1.	Indice	
1.	Premessa	3
1.1.	Uso dell'unità Zehnder EVO 2	3
1.2.	Condizioni di garanzia	3
2.	Introduzione e sicurezza	3
2.1.	Introduzione	3
2.2.	Sicurezza	4
2.3.	Condizioni di installazione	4
2.4.	Disposizioni per l'uso in ambienti con focolari	5
2.5.	Conformità	5
3.	Trasporto e consegna	5
3.1.	Indicazioni di sicurezza per il trasporto	5
3.2.	Controllo della fornitura	5
3.3.	Disimballo dell'unità di ventilazione	6
4.	Caratteristiche dell'unità EVO 2	6
4.1.	Connessioni	6
4.2.	Modifica del modello da "factory version" a "mirror version"	7
4.3.	Esploso dell'unità	7
4.4.	Specifiche tecniche	8
4.5.	Preriscaldamento elettrico modelli EVO 2 HRV PR e EVO 2 ERV PR	8
4.6.	Classi di efficienza energetica	8
4.7.	Curve caratteristiche	9
4.8.	Punti di lavoro	9
4.9.	Principio di funzionamento dello scambiatore entalpico	9
4.10.	Dati acustici	10
5.	Installazione	10
5.1.	Dimensioni	10
5.2.	Valutazioni preliminari	10
5.3.	Installazione	11
5.4.	Installazione a soffitto	11
5.5.	Installazione a parete	12
5.6.	Orientamento connessioni	14
5.7.	Connessione dello scarico condensa	15
6.	Connessioni elettriche	16
7.	Controlli e connettività	18
7.1.	Zehnder Multi Control	18
7.2.	Zehnder EVO Sense	18
7.3.	Zehnder EVO Switch	18
7.4.	Sensore CO ₂ EVO	18
7.5.	Sensore di umidità EVO	18
7.6.	Smart connectivity	19
7.6.1.	EVO Connect KNX	19
7.6.2.	EVO Connect ModBus - KNX	19
8.	Messa in funzione	20
9.	Funzionamento	20
9.1.	Funzionamento del bypass	20
9.2.	Sicurezza antigelo	20
10.	Procedura di manutenzione	21
10.1.	Manutenzione dei filtri dell'aria	21
10.2.	Pulizia dell'unità di ventilazione	22
11.	Panoramica dell'unità e descrizione delle componenti	25

EN

DE

IT

ET

LT

LV

1. Premessa

Attenzione!



Leggere attentamente il presente manuale prima dell'installazione e della messa in funzione.

Il presente documento supporta nell'installazione, nella messa in funzione e nella manutenzione sicura e ottimale dell'unità di ventilazione meccanica controllata Zehnder EVO 2.

In seguito, Zehnder EVO 2 può essere definita "unità di ventilazione".

Poiché essa viene costantemente sviluppata e migliorata, la vostra unità può differire dalle descrizioni qui contenute.

Il manuale di installazione più aggiornato può essere scaricato dal sito internet Zehnder.

Vengono utilizzati i seguenti pittogrammi:

Simbolo	Significato
	Nota importante
	Rischio di danni al sistema o di prestazioni ridotte
	Rischio di lesioni personali

!/? Domande

Per tutti i quesiti, per i manuali aggiornati e per informazioni sui Centri di Assistenza Tecnica rivolgersi alla sede Zehnder.

Dati di contatto:

Zehnder Group Italia S.r.l.

Via XXV Luglio 6 - 41011 Campogalliano (MO)

T +39 059 978 62 00

info@zehnder.it

www.zehnder.it

1.1. Uso dell'unità Zehnder EVO 2

- L'unità di ventilazione e l'eventuale comando possono essere messi in funzione solo se installati secondo le norme nazionali e locali vigenti e secondo le istruzioni contenute nel presente manuale e nel manuale del comando.
- L'uso dell'unità e del comando non sono autorizzati per le persone (compresi i minori) con ridotte capacità fisiche, sensoriali o mentali o con mancanza di esperienza e competenza, a meno che non siano sorvegliati da una persona responsabile e che abbiano ricevuto le istruzioni necessarie per l'uso in sicurezza.
- I bambini non devono giocare con l'unità di ventilazione.
- I bambini non devono eseguire operazioni di alcun tipo sull'unità di ventilazione senza supervisione.

1.2. Condizioni di garanzia

L'unità è coperta da una garanzia rilasciata dal costruttore per un periodo di 24 mesi dall'installazione fino a un massimo di 30 mesi dalla data di fabbricazione. Le richieste di intervento in garanzia possono essere avanzate esclusivamente per difetti dei materiali e/o di fabbricazione che si presentino durante il periodo di garanzia. In caso di una richiesta di intervento in garanzia, l'unità non deve essere smantellata in assenza del consenso scritto del costruttore. I ricambi sono coperti dalla garanzia unicamente se forniti dal costruttore e installati da un installatore autorizzato.



Per modificare le impostazioni di fabbrica è obbligatorio l'intervento di un Centro di Assistenza Tecnica autorizzato Zehnder.

La garanzia decade se:

- Il periodo di validità della garanzia è scaduto.
- L'unità di ventilazione viene utilizzata senza un filtro originale Zehnder o senza una griglia esterna a parete.
- Non sono stati utilizzati ricambi originali Zehnder.
- L'unità di ventilazione è stata sottoposta a modifiche o cambiamenti non autorizzati.
- I difetti sono dovuti a un'installazione impropria, a un uso improprio o a una non corretta manutenzione dell'impianto.

2. Introduzione e sicurezza

2.1. Introduzione

Zehnder EVO 2 è una unità di ventilazione meccanica controllata con recupero di calore, per un ricambio d'aria costante ed efficiente dal punto di vista energetico in piccoli edifici, appartamenti e case. L'unità di ventilazione estrae l'aria umida e viziata da locali come cucine e bagni e, contemporaneamente, immette la stessa portata di aria di rinnovo negli ambienti abitativi come soggiorni, camere da letto, ecc. La circolazione dell'aria è assicurata dalle fessure sotto le porte o da apposite griglie di transito silenziate.

L'impianto di ventilazione meccanica controllata comprende:

- l'unità di ventilazione;
- condotti per la presa d'aria esterna e l'espulsione di centrale;
- canali secondari per l'aria di mandata e l'aria di ripresa nei vari ambienti;
- valvole e griglie per immettere l'aria di mandata nei soggiorni, nelle camere da letto e in altri locali abitativi;
- valvole e griglie per aspirare l'aria di ripresa da cucine, bagni e altri locali umidi;
- griglie a parete esterne per la presa d'aria esterna e l'espulsione.

EN

DE


IT


ET


LT

LV

 Leggere il manuale prima di utilizzare l'unità di ventilazione.


 Assicurarsi che le fessure sotto le porte o le griglie di transito non siano mai ostruite per garantire la circolazione dell'aria nell'edificio.


 Sul lato esterno dell'unità di ventilazione può formarsi umidità da condensazione. In questo caso non è necessario alcun intervento.


 L'unità di ventilazione deve essere smaltita in modo ecologico. Non smaltire con i rifiuti domestici.


2.2. Sicurezza


Leggere attentamente tutte le istruzioni di sicurezza per un uso sicuro e corretto dell'unità di ventilazione.


 **ATTENZIONE! Tensione elettrica pericolosa. In caso di calamità naturale, scollegare l'alimentazione elettrica.**


 **Seguire le norme di sicurezza, le avvertenze e le istruzioni contenute nel presente manuale. La mancata osservazione può causare danni all'unità o lesioni personali.**


 **L'installazione, l'avviamento e la manutenzione devono essere eseguite da tecnici specializzati, se non diversamente specificato nelle istruzioni.**


 **Non aprire l'unità di ventilazione. Il tecnico specializzato deve assicurarsi che tutte le parti che possono provocare lesioni personali siano collocate in modo sicuro all'interno dell'unità.**


 **Se non diversamente richiesto nel presente manuale, mantenere l'unità sempre in funzione. In caso contrario, potrebbe verificarsi l'accumulo di umidità e la formazione di muffa.**


 **L'unità di ventilazione e i comandi ad essa connessi non possono essere modificati. Una modifica fisica o del software provocano il decadimento della garanzia, e possono provocare malfunzionamenti o lesioni personali.**

 **Se il cavo di alimentazione risulta danneggiato, deve essere sostituito da un tecnico specializzato e autorizzato da Zehnder.**

 **Per l'installazione, attenersi alle norme nazionali e locali vigenti e al presente manuale. Installare un interruttore sezionatore di sicurezza per poter scollegare l'alimentazione elettrica.**

 **Scollegare sempre l'unità di ventilazione dalla rete elettrica prima di iniziare qualsiasi lavoro di manutenzione o riparazione. Assicurarsi che essa non possa riaccendersi accidentalmente.**

 **Non accendere l'unità di ventilazione quando è aperta: la tensione elettrica e il movimento dei ventilatori possono provocare lesioni personali.**

 **Adottare misure idonee per prevenire le scariche elettrostatiche quando si lavora sull'unità. L'elettricità statica può causare danni alle componenti elettroniche.**

2.3. Condizioni di installazione

L'unità di ventilazione è concepita per l'uso in ambienti abitativi, uffici, piccole attività artigianali o similari, a condizione che:

- non vi siano saune o piscine;
- non vi sia umidità eccessiva;
- non vi siano polveri eccessive;
- non vi siano sostanze nocive o potenzialmente corrosive.

Per determinare se l'unità di ventilazione può essere installata nel luogo prescelto, occorre osservare le seguenti condizioni:

- sia presente una alimentazione elettrica 230 V, 50 Hz; qualsiasi altra tensione o frequenza di esercizio può danneggiare irreparabilmente l'unità;
- le temperature nell'ambiente si mantengano sempre all'interno del range consentito (vedi la tabella "Specifiche Tecniche");
- l'umidità nell'ambiente non sia eccessiva, non sia condensante, e si mantenga sempre all'interno del range consentito (vedi la tabella "Specifiche Tecniche"). Non installare in ambienti con umidità superiori alla media come bagni o spogliatoi.

Verificare che vi sia spazio sufficiente nell'area di installazione per il sistema di distribuzione dell'aria.

Lasciare l'unità di ventilazione completamente accessibile per consentire le operazioni di manutenzione.

Zehnder EVO 2 può essere installata a parete o a soffitto, utilizzando staffe di fissaggio incluse.

 **Consultare il paragrafo dedicato per verificare le varie possibilità di installazione.**

EN

DE

IT

ET

LT

LV

2.4. Disposizioni per l'uso in ambienti con focolari

Per un uso sicuro dell'unità di ventilazione occorre tenere conto dei requisiti locali contenuti in norme, leggi e direttive pertinenti. Zehnder EVO 2 può essere installata in locali, appartamenti o unità comparabili in cui siano installati caminetti o altri impianti a combustione alimentata ad aria ambiente solo se:

- i dispositivi di sicurezza impediscono il funzionamento simultaneo dei caminetti ad aria ambiente e dell'estrazione dell'aria.

Oppure

- lo scarico fumi dell'impianto di combustione alimentato dall'aria ambiente è monitorato da speciali dispositivi di sicurezza. Nel caso essi siano alimentati da combustibili liquidi o gassosi, se il dispositivo di sicurezza si attiva, occorre spegnere l'impianto di combustione o l'impianto di ventilazione. Nel caso essi siano alimentati a combustibili solidi, l'impianto di ventilazione deve essere spento se il dispositivo di sicurezza si attiva.


Le unità di ventilazione meccanica controllata non possono essere installate se nell'unità sono presenti impianti di combustione alimentati dall'aria ambiente collegati a sistemi di scarico fumi con allacciamento multiplo. Per un corretto funzionamento, i condotti dell'aria di combustione e i sistemi di scarico dei fumi degli impianti a camera aperta devono poter essere chiusi.

I caminetti a combustibile solido devono poter essere spenti, con un dispositivo di intercettazione azionabile solo manualmente. La posizione del dispositivo di disinserimento deve essere riconoscibile dall'impostazione della maniglia di comando. Questo requisito è soddisfatto se viene utilizzato un dispositivo di disinserimento contro la fuliggine (dispositivo di blocco della fuliggine).

Requisiti di protezione antincendio: devono essere rispettate le normative nazionali e locali per quanto riguarda le norme di installazione e di protezione antincendio per l'installazione dell'impianto di ventilazione meccanica controllata.

2.5. Conformità

Le unità di ventilazione Zehnder EVO del produttore

 **Siber Zone S.l.u.**
C/Can Marcia 2
08520 Las Frenquesas des Vallés
Apto de Correos n°9
Barcelona, Espana

sono conformi alle direttive e alle norme della dichiarazione di conformità UE e del certificato EAC.

3. Trasporto e consegna

3.1. Indicazioni di sicurezza per il trasporto



L'intervallo di temperatura ammesso per lo stoccaggio e il trasporto è compreso tra -20 °C e +50 °C.



Prima di trasportare l'unità di ventilazione, leggere le informazioni e le istruzioni di sicurezza.



Trasportare l'unità di ventilazione sempre in coppia. L'unità di ventilazione deve essere maneggiata con cura durante il trasporto e il disimballaggio.



I bordi dell'unità di ventilazione possono essere taglienti. Indossare guanti di protezione per evitare tagli.

3.2. Controllo della fornitura

La scatola contiene:

- Unità di ventilazione Zehnder EVO 2;
- Guida rapida di installazione;
- Etichetta EcoDesign;
- Staffe di installazione;
- Sacchetto contenente i giunti antivibranti e le viti di fissaggio.

Controllare la targhetta di identificazione per assicurarsi di aver ricevuto l'unità corretta:

- EVO 2 HRV: unità con scambiatore sensibile;
- EVO 2 ERV: unità con scambiatore entalpico;
- EVO 2 HRV PR: unità con scambiatore sensibile e preriscaldamento elettrico;
- EVO 2 ERV PR: unità con scambiatore entalpico e preriscaldamento elettrico.



In caso di danni evidenti all'unità di ventilazione o accessori mancanti, contattare immediatamente il fornitore.

L'unità di ventilazione Zehnder EVO 2 è fornita senza accessori di regolazione. Consultare il paragrafo relativo per gli accessori opzionali.

EN

DE

IT

ET

LT

LV

3.3. Disimballo dell'unità di ventilazione

Aprire la parte superiore dell'imballo in cartone. Sollevare l'unità di ventilazione estraendola dall'imballo e posizionarla su una superficie morbida e pulita per evitare di danneggiarla. Conservare la scatola di cartone per utilizzarla come dima di foratura durante l'installazione dell'unità.



Maneggiare l'unità di ventilazione con cura. Per sollevare l'unità sono necessarie due persone. Evitare di afferrare i raccordi perchè potrebbero danneggiarsi.



Smaltire il materiale di imballaggio nel rispetto dell'ambiente.



Prestare attenzione a non perdere gli accessori inclusi nella fornitura.

4. Caratteristiche dell'unità EVO 2

L'unità Zehnder EVO 2 è una unità di ventilazione meccanica controllata a doppio flusso con recupero di energia con prestazioni fino all'87% (Declaration of Performance secondo UE 1254/2014), con una portata di ventilazione massima di 200 m³/h, con ventilatori a basso consumo, bypass automatico per free cooling.

Caratteristiche dell'unità EVO 2:

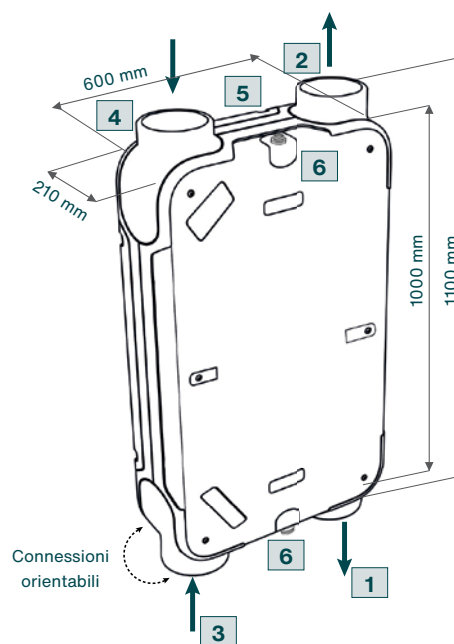
- regolazione continua dei flussi d'aria tramite il pannello di controllo;
- indicatore stato filtro (led nella morsettiera);
- regolazione antigelo intelligente che assicura il funzionamento ottimale anche a basse temperature. Se necessario, e se l'unità acquistata è una versione "PR", si avvia il preriscaldamento elettrico;
- basso livello acustico;
- dotazione di serie del bypass automatico;
- regolazione della portata costante;
- alte prestazioni e ridotto consumo energetico.

Zehnder EVO 2 è disponibile in 4 versioni:

- EVO 2 HRV: unità con scambiatore sensibile;
- EVO 2 ERV: unità con scambiatore entalpico;
- EVO 2 HRV PR: unità con scambiatore sensibile e preriscaldamento elettrico;
- EVO 2 ERV PR: unità con scambiatore entalpico e preriscaldamento elettrico.

Queste istruzioni di installazione si applicano a tutte le versioni dell'unità Zehnder EVO 2.

4.1. Connessioni



Legenda configurazione standard "factory version"

Simbolo	Significato
1	Mandata dell'aria di rinnovo nell'abitazione
2	Espulsione dell'aria viziata verso l'esterno
3	Estrazione dell'aria viziata dall'abitazione
4	Presa dell'aria di rinnovo dall'esterno
5	Collegamenti elettrici
6	Scarico condensa *

* La connessione alla rete di scarico condensa è necessaria per le unità EVO 2 HRV e EVO 2 HRV PR. Per maggiori informazioni, vedi il relativo paragrafo.

EN

DE

IT

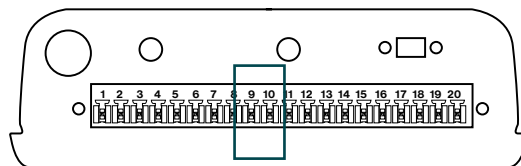
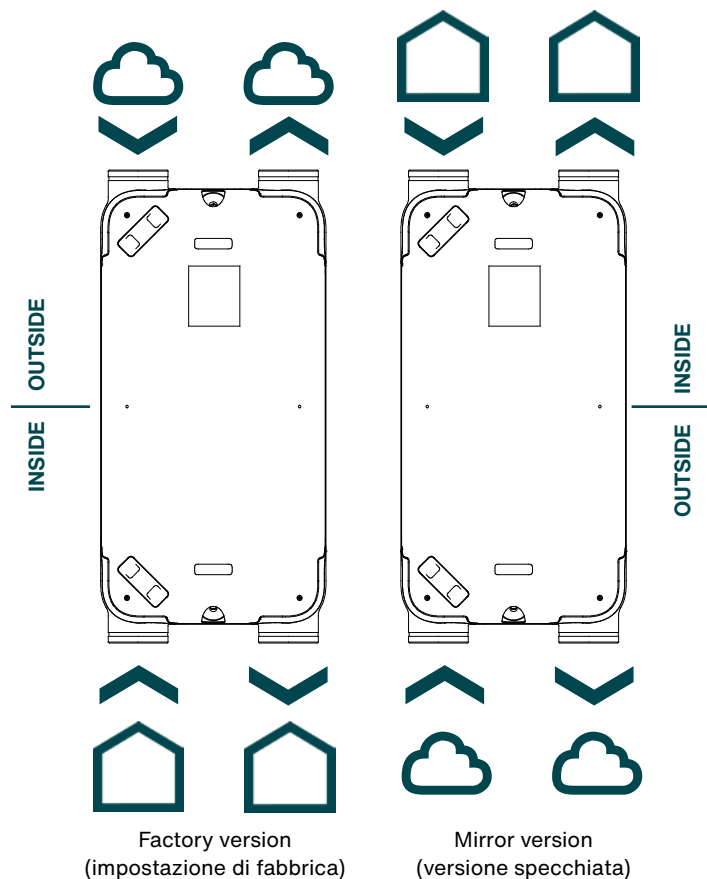
ET

LT

LV

4.2. Modifica del modello da "factory version" a "mirror version"

Per modificare l'impostazione da "factory version" a "mirror version", è sufficiente ponticellare i connettori 9 e 10.



IMPORTANTE!

Se l'unità è installata a parete, può essere installata **SOLO** con connettori elettrici rivolti verso l'alto.

L'unità con scambiatore HRV **DEVE** essere installata con presa aria esterna ed espulsione rivolte verso il basso ("mirror version").

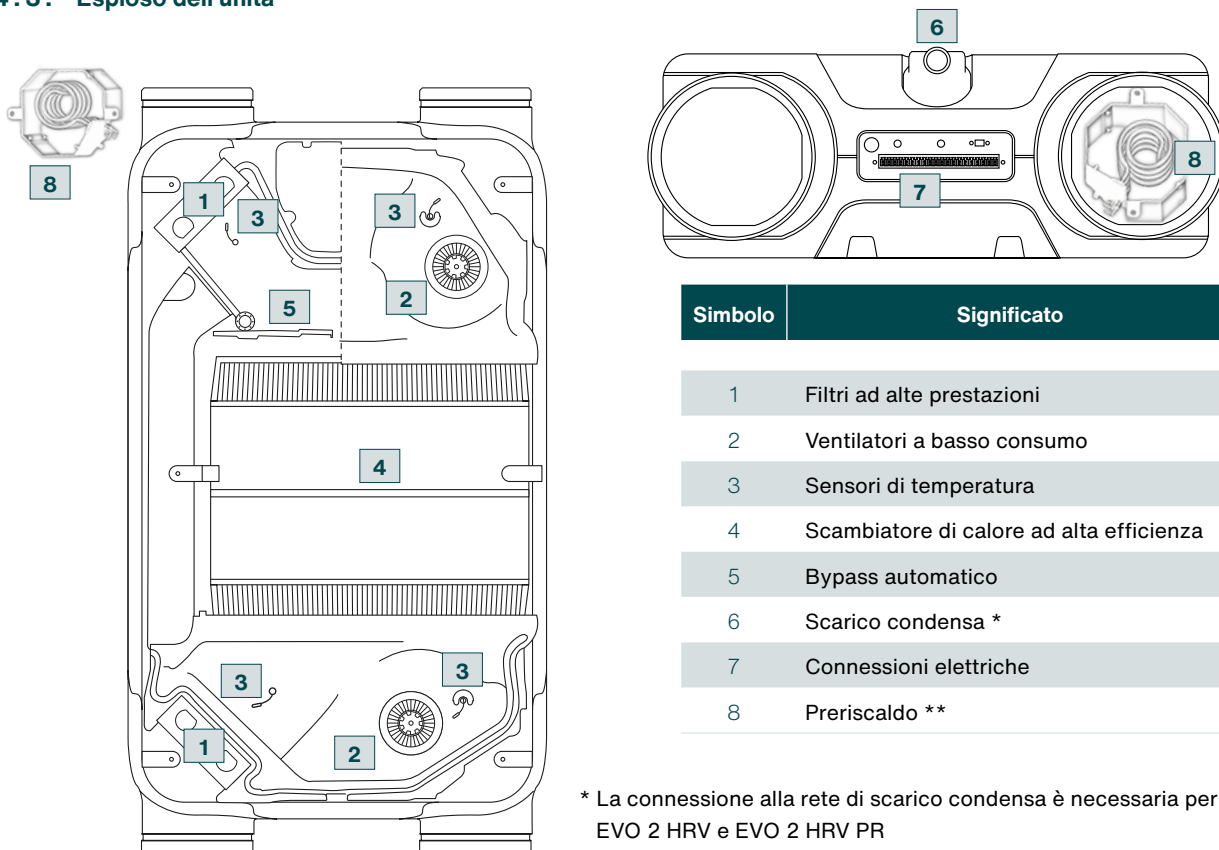
Consultare il relativo capitolo.

IMPORTANTE!

La modifica del modello da "factory version" a "mirror version" **NON** è possibile per i modelli:

EVO 2 HRV PR e EVO 2 ERV PR

4.3. Esploso dell'unità








Simbolo	Significato
1	Filtri ad alte prestazioni
2	Ventilatori a basso consumo
3	Sensori di temperatura
4	Scambiatore di calore ad alta efficienza
5	Bypass automatico
6	Scarico condensa *
7	Connessioni elettriche
8	Preriscaldamento **

* La connessione alla rete di scarico condensa è necessaria per le unità EVO 2 HRV e EVO 2 HRV PR

** Incluso come standard solo nei modelli EVO 2 HRV PR e EVO 2 ERV PR

- EN
- DE
- IT
- ET
- LT
- LV

4.4. Specifiche tecniche

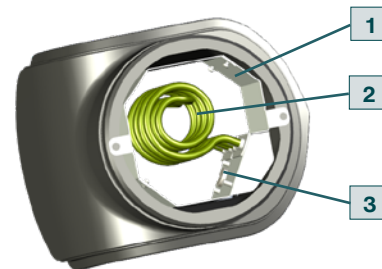
Zehnder EVO 2					
Dimensioni (Lunghezza x Larghezza x Profondità)	1000 x 600 x 210 mm				
Peso	24 kg				
Installazione	Orizzontale a soffitto o verticale a parete (*)				
Temperature limite ambiente di installazione	da 10 a 45°C				
Umidità limite ambiente di installazione	< 90 % non condensante				
Connessione scarico condensa (Ø)	1/2"				
Dimensione delle connessioni aerauliche (Ø)	Ø 160				
Tensione di rete	230 V / 50 Hz				
Portata d'aria massima	200 m³/h / 55.56 l/s				
	Zehnder EVO 2 HRV		Zehnder EVO 2 ERV		
Filtri standard	2x ISO Coarse 65% (G4) per mandata e ripresa				
Filtri opzionali	ISO ePM1 55% (F7) / ISO Coarse 65% (G4) per mandata e ripresa				
Modalità di ventilazione					
Comando ComfoSense S	0	1	2	3	Boost
Portata di ventilazione (m³/h)	30	75	100	150	200

(*) Vedi capitolo relativo per le possibilità e le avvertenze di installazione dell'unità a parete

4.5. Preriscaldamento elettrico modelli EVO 2 HRV PR e EVO 2 ERV PR

Il preriscaldamento elettrico è installato di serie sui modelli EVO 2 HRV PR e EVO 2 ERV PR, sul raccordo di ingresso dell'aria esterna. La temperatura dell'aria in ingresso è aumentata a 10°C, proteggendo il recuperatore nelle giornate più fredde dell'anno.

1. Resistenze in acciaio inox AISI304L
2. Potenza 1.0 kW
3. La protezione automatica a 40°C impedisce il surriscaldamento



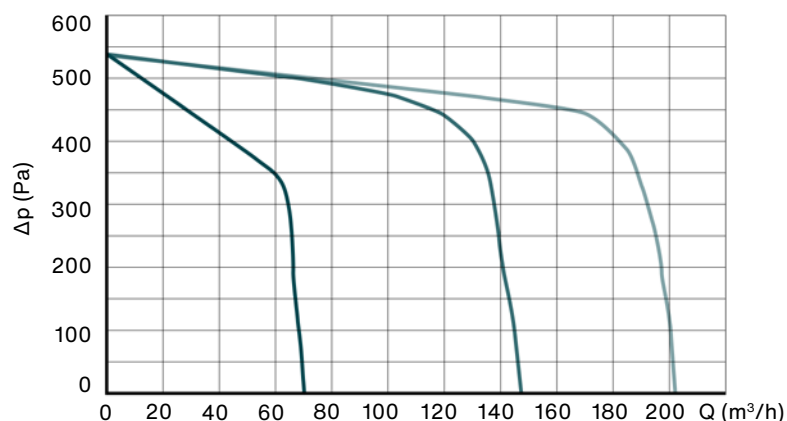
4.6. Classi di efficienza energetica

Classi di efficienza energetica ai sensi del Regolamento dell'Unione Europea n. 1254/2014.

Dati sull'energia		Dati sull'energia	
Etichetta dell'UE sul consumo di energia EVO 2 HRV		Etichetta dell'UE sul consumo di energia EVO 2 ERV	
Classe di efficienza energetica	A+ **	Classe di efficienza energetica	A+ **
Portata in volume d'aria massima [m³/h]	200	Portata in volume d'aria massima [m³/h]	200
Efficienza secondo certificazione energetica	87%	Efficienza secondo certificazione energetica	79%
Livello di potenza sonora LWA dB(A)	49	Livello di potenza sonora LWA dB(A)	49

** a seconda dell'unità di comando/tecnologia delle sonde scelta.

4.7. Curve caratteristiche

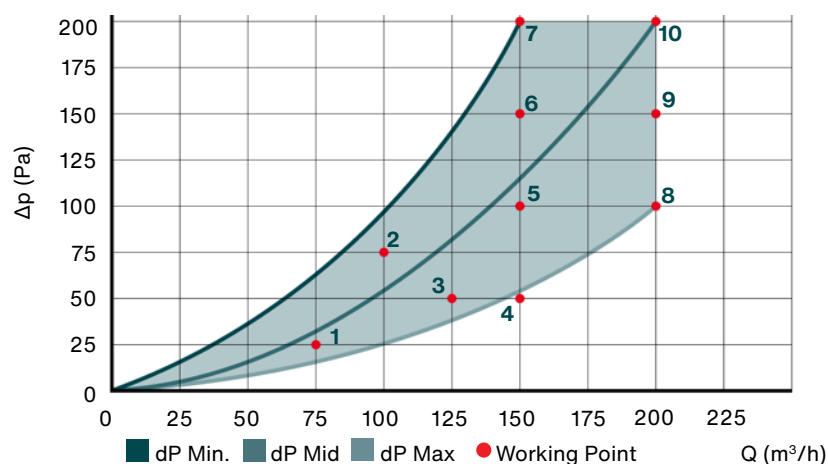


— velocità minima
— velocità media
— velocità massima

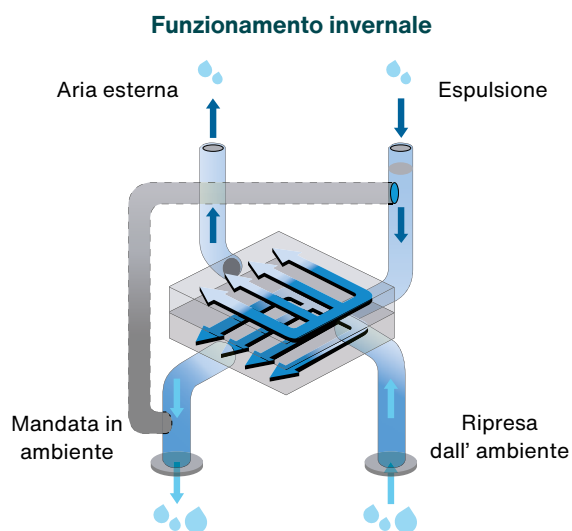
4.8. Punti di lavoro

Punti di lavoro

Punto	Portata [m³/h]	Press. [Pa]	Pot. [W]	SFP [W/l/s]
1	75	25	12,61	0,61
2	100	75	25,31	0,91
3	125	50	29,16	0,84
4	150	50	39,20	0,94
5	150	100	49,65	1,19
6	150	150	60,92	1,46
7	150	200	72,60	1,74
8	200	100	81,33	1,46
9	200	150	93,10	1,68
10	200	200	106,48	1,92



4.9. Principio di funzionamento dello scambiatore entalpico



In inverno, l'aria calda e umida di cucine e bagni viene ripresa dall'ambiente domestico. Nello scambiatore, incontra l'aria fredda e molto secca esterna e le cede calore e parte dell'umidità aspirata.

L'aria esterna viene così immessa in ambiente a una temperatura e una umidità tali da mantenere il massimo comfort indoor, senza seccare troppo l'aria.

Lo scambiatore entalpico aiuta l'impianto di riscaldamento a mantenere la temperatura dell'aria ideale, anche nei climi più rigidi.



In estate, l'aria fresca e deumidificata viene ripresa dall'ambiente interno. Nello scambiatore, incontra l'aria calda e carica di umidità proveniente dall'esterno che viene pre-raffrescata e pre-deumidificata.

In questo modo, l'unità di ventilazione aiuta l'impianto attivo di raffreddamento e deumidificazione a mantenere il comfort indoor, con ridottissimi consumi energetici.

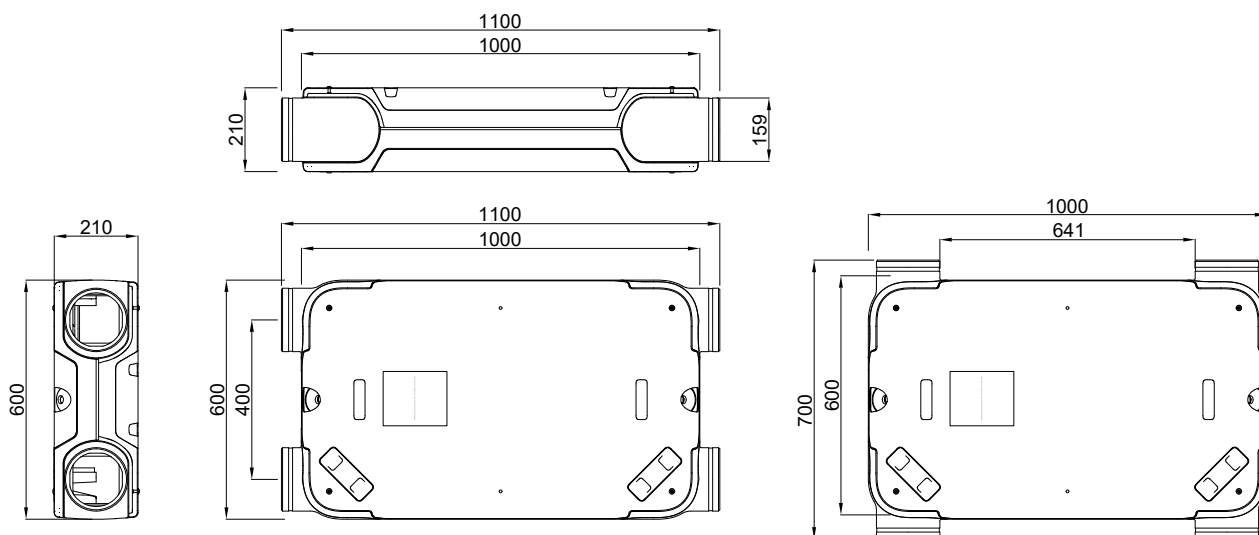
Lo scambiatore entalpico è l'ideale in caso di post-trattamento dell'aria, come deumidificazione abbinata al radiante in raffreddamento o in caso di ventilazione climatica.

4.10. Dati acustici

Livelli sonori								
Portata di riferimento	m ³ /h	75	125	150	150	200	200	
Prevalenza di riferimento	Pa	25	50	50	100	150	200	
Potenza sonora L _w (A)	Irradiazione unità	dB(A)	33	42	44	46	51	56
	Condotto di ripresa	dB(A)	34	43	45	48	50	57
	Condotto di mandata	dB(A)	46	51	59	62	65	66
Pressione sonora L _p (A) a 1,5 m	Irradiazione unità	dB(A)	18	27	29	31	36	41

5. Installazione

5.1. Dimensioni



5.2. Valutazioni preliminari



Scollegare l'alimentazione elettrica prima di eseguire qualsiasi operazione di installazione o disinstallazione.



Accertarsi che l'unità non venga in contatto con acqua o schizzi di acqua.



Durante l'installazione, tenere lontani bambini e animali domestici dal luogo di installazione.



Assicurarsi che siano lasciati sufficienti spazi per la manutenzione intorno, davanti e/o sotto l'unità.

Per installare correttamente l'unità di ventilazione, senza danneggiarla, occorrono due persone.

Zehnder EVO 2 può essere fissata direttamente alla parete o al soffitto utilizzando le apposite staffe di fissaggio in dotazione. Per evitare vibrazioni, è necessario installare l'unità a una parete o un soffitto con massa minima di 200 kg/m²; non è sufficiente che essa sia una struttura in cemento o in metallo. In questo caso, saranno necessarie misure aggiuntive, come una armatura a doppia piastra o staffe aggiuntive.

L'unità deve essere installata a livello, in caso di installazione orizzontale, o in bolla, in caso di installazione verticale, per evitare vibrazioni e rumorosità dei ventilatori.

5.3. Installazione



Non installare in ambiente esterno. Verificare che nell'ambiente di installazione siano mantenute temperatura e umidità limite di esercizio.

L'unità di ventilazione può essere installata sia in orizzontale, staffata a soffitto, che in verticale, staffata a parete.

Se l'unità scelta è una EVO 2 HRV o EVO 2 HRV PR, nel luogo di installazione deve essere presente una rete efficiente di scarico condensa, con un sifone e una pendenza sufficiente, che sia sempre pervia e non soggetta a gelo, tale da garantire che lo scarico condensa avvenga sempre correttamente.



Assicurarsi che la pendenza dello scarico condensa non sia parallela all'unità o in contropendenza verso l'unità.

Nel caso in cui l'unità scelta sia EVO 2 ERV o EVO 2 ERV PR, lo scarico condensa non è necessario.

Il luogo di installazione deve assicurare i corretti spazi di manutenzione ordinaria (cambio filtri) e straordinaria (apertura dell'unità, estrazione e pulizia di scambiatore e ventilatori, ecc..)

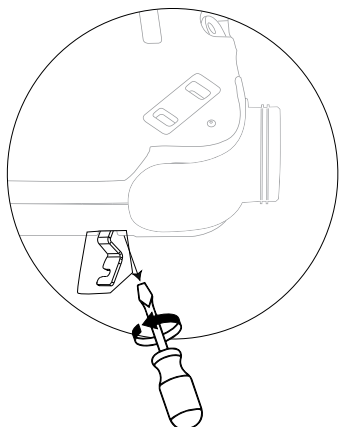


L'unità è progettata per l'installazione a parete o a soffitto. NON può essere installata a pavimento.

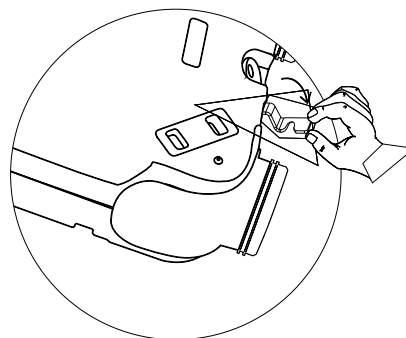
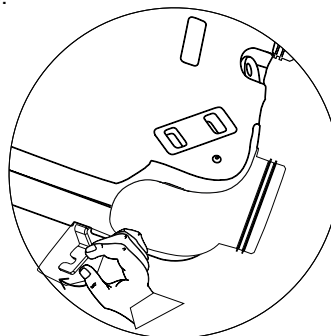
5.4. Installazione a soffitto

1. L'unità viene fornita con le staffe di installazione premontate sul lato lungo. Per spostarle sul lato corto, eseguire le seguenti operazioni.

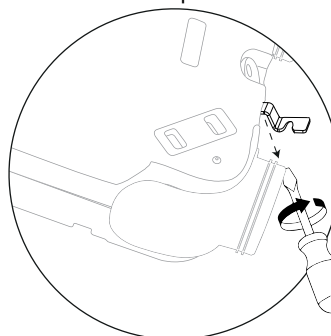
- Svitare le staffe.



- Spostare le staffe sul lato corto, mantenendo lo stesso orientamento.

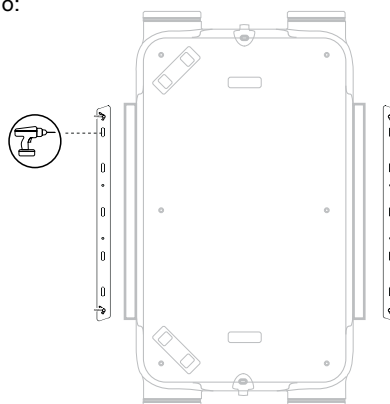


- Riavvitare le staffe nella nuova posizione.



2. Forare la superficie contrassegnata e avvitare le staffe di fissaggio nei fori ovali.

- Lato lungo:



EN

DE

IT

ET

LT

LV

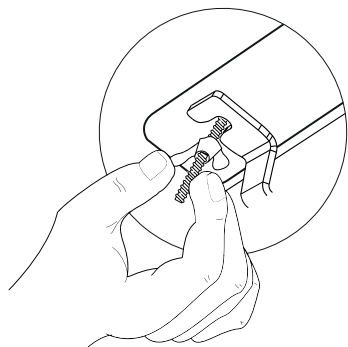
▪ Lato corto:



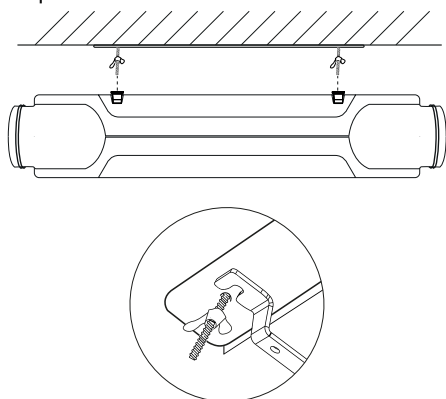
IMPORTANTE!

Le staffe devono essere distanziate 630 mm sui lati lunghi (versione standard) e 1.035 mm sui lati corti.

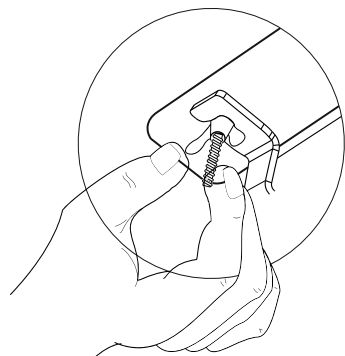
3. Allentare le viti a farfalla in modo da lasciare 1 cm sul filetto.



4. Posizionare l'unità sulla parte superiore della guida e farla scorrere fino a quando non si innesta nella barra filettata.



5. Riavvitare i dadi a farfalla, così da assicurare l'unità alla staffa.



5.5. Installazione a parete

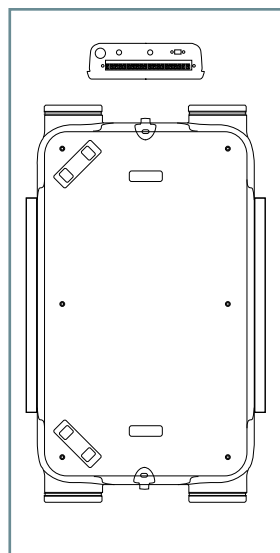


L'unità deve essere installata in bolla, in verticale, per garantire il corretto scarico della condensa.

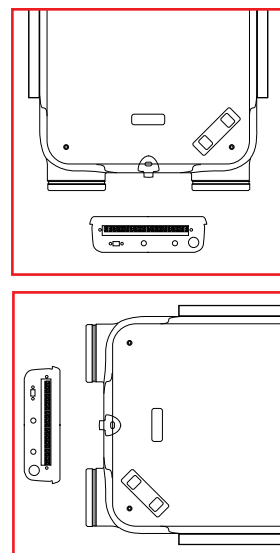


Installare SOLO con il connettore della scheda elettronica di controllo rivolto verso l'alto. Non è possibile installare l'unità sotto-sopra, con il connettore rivolto verso il basso.

Installazione corretta

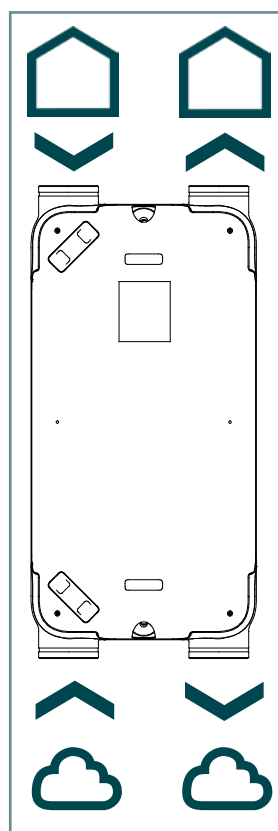


Installazioni NON corrette

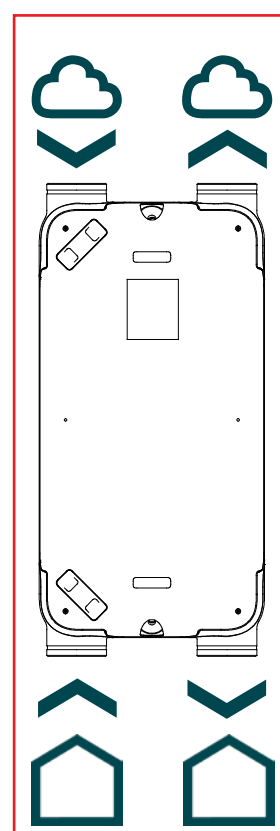


Installare l'unità con scambiatore sensibile HRV SOLO nella versione "mirror version", presa aria esterna ed espulsione rivolte verso il basso.

Installazione corretta



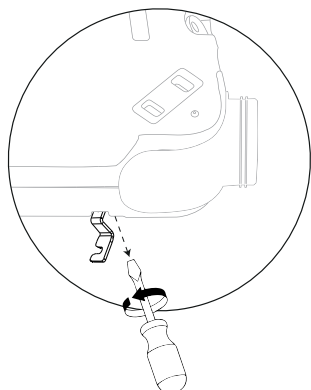
Installazione NON corretta



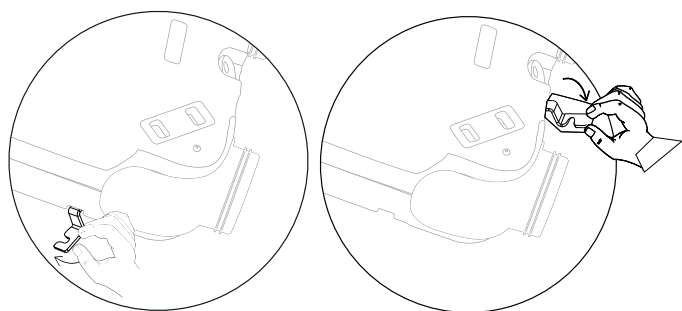
- EN
- DE
- IT**
- ET
- LT
- LV

1. L'unità viene fornita con le staffe di installazione premontate sul lato lungo. Per spostarle sul lato corto, eseguire queste operazioni.

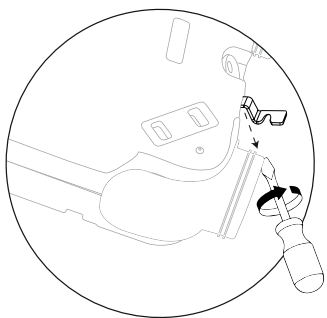
- Svitare le staffe.



- Spostare le staffe sul lato corto, mantenendo lo stesso orientamento.

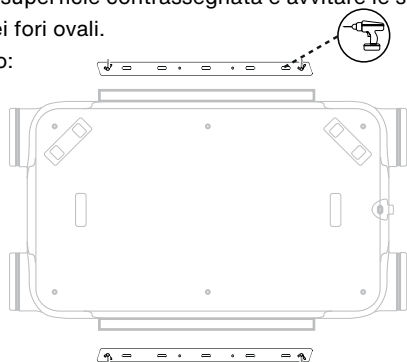


- Riavvitare le staffe nella nuova posizione.

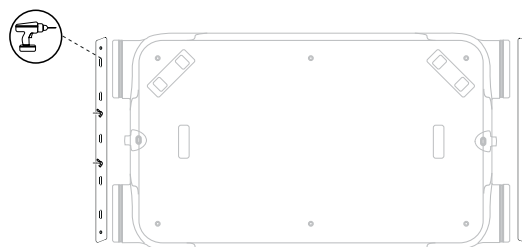


2. Forare la superficie contrassegnata e avvitare le staffe di fissaggio nei fori ovali.

- Lato lungo:



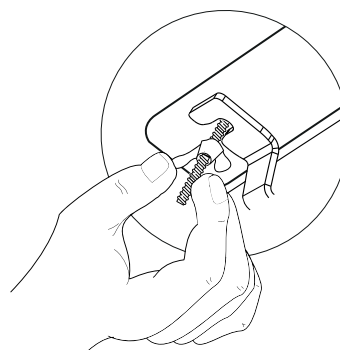
- Lato corto:



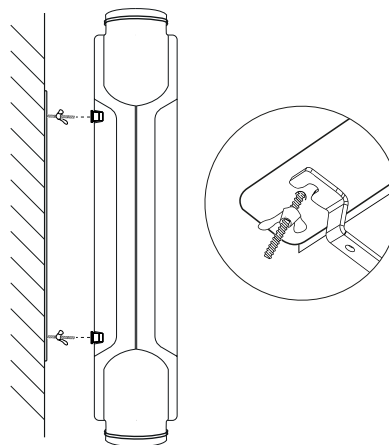
IMPORTANTE!

Le staffe devono essere distanziate 630 mm sui lati lunghi (versione standard) e 1.035 mm sui lati corti.

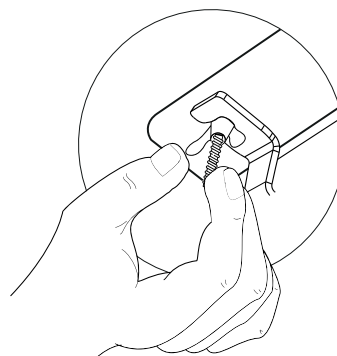
3. Allentare le viti a farfalla in modo da lasciare 1 cm sul filetto.



4. Posizionare l'unità sulla parte superiore della guida e farla scorrere fino a quando non si innesta nella barra filettata.



5. Riavvitare i dadi a farfalla, così da assicurare l'unità alla staffa.



EN

DE

IT

ET

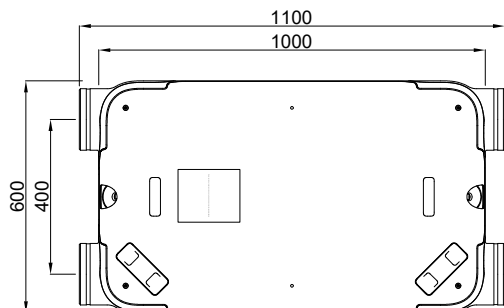
LT

LV

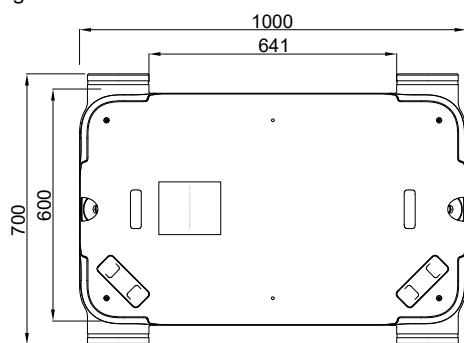
5.6. Orientamento connessioni

A seguito, viene mostrata la procedura per ruotare le bocche di connessione alla distribuzione.

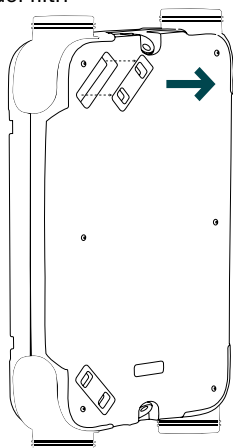
- Configurazione di fabbrica:



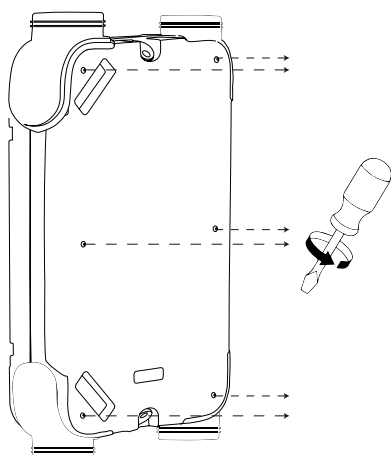
- Configurazione con le connessioni ruotate di 90°:



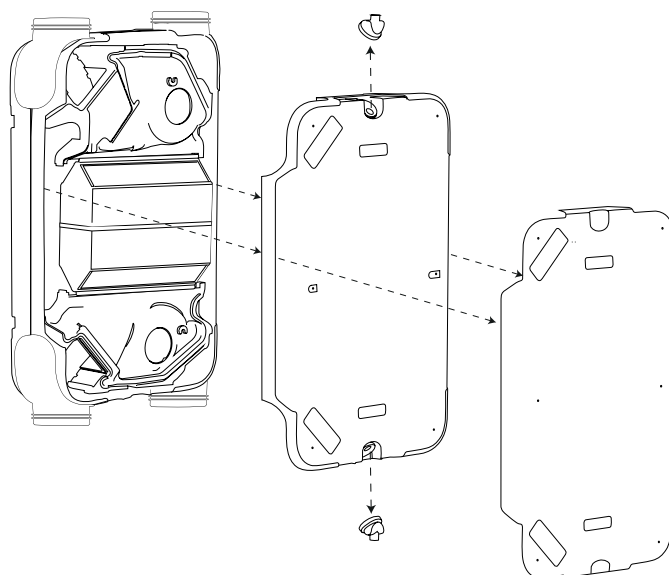
1. Rimuovere i tappi dei filtri



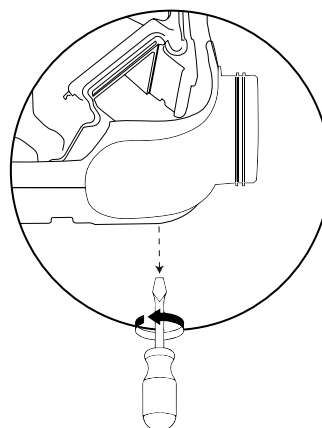
2. Svitare le viti esterne, posizionate sulla cover



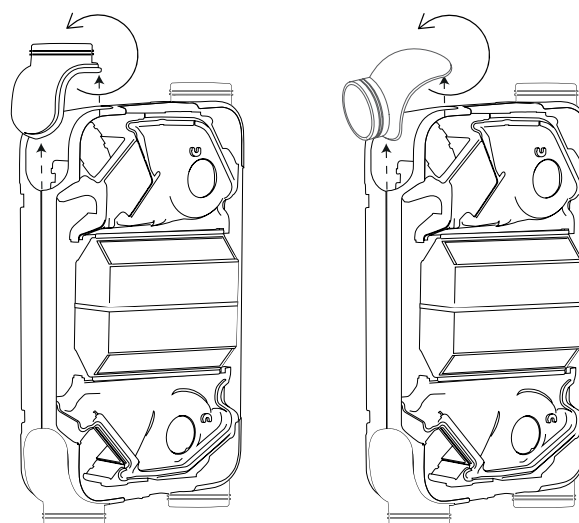
3. Rimuovere la cover metallica esterna e il polipropilene superiore, lasciando esposto l'interno dell'unità



4. Svitare le viti che trattengono le connessioni in EPP



5. Sollevare e ruotare le connessioni, ruotarle e riposizionarle nella loro sede



EN

DE

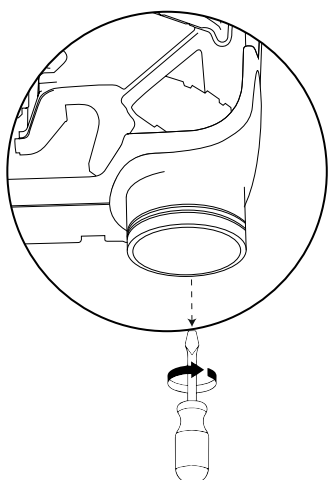
IT

ET

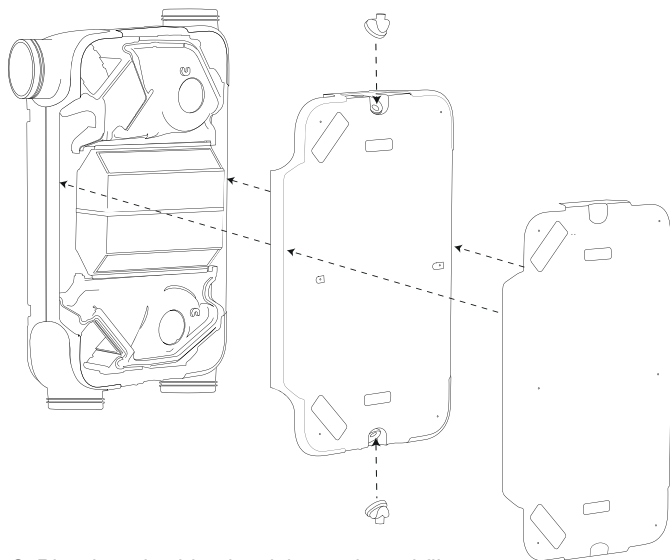
LT

LV

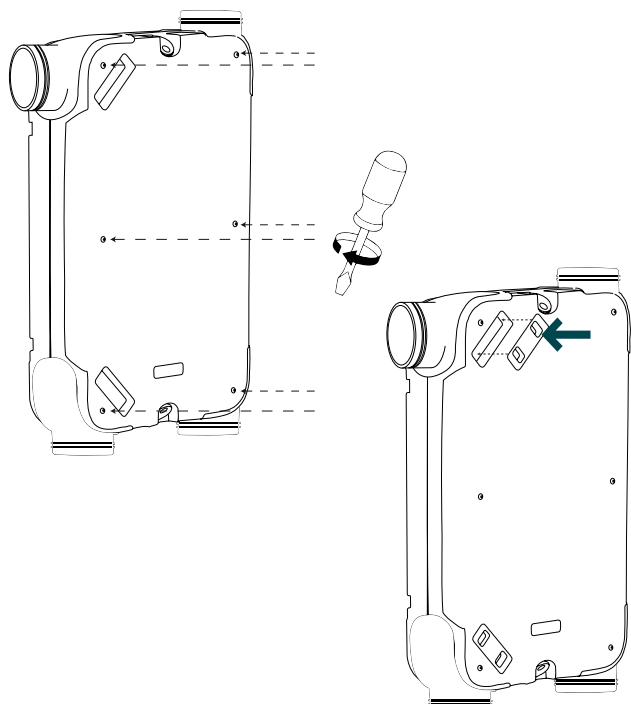
6. Riavvitare le viti delle connessioni



7. Riposizionare il polipropilene superiore e la cover metallica



8. Riavvitare le viti e riposizionare i tappi filtro



5.7. Connessione dello scarico condensa

Le unità Zehnder EVO 2 HRV e Zehnder EVO 2 HRV PR devono essere dotate di un sistema di scarico condensa.

Per le unità EVO 2 ERV e EVO 2 ERV PR non è necessario.

Avvitare il sifone filettato maschio da 1/2" (non incluso nella fornitura, deve essere ordinato separatamente) al raccordo di scarico condensa dell'unità.

Per una corretta manutenzione, installare il sifone in modo che possa essere smontato e ispezionato con facilità.

La connessione dello scarico condensa sull'unità può essere rivolto in orizzontale o verso il basso.

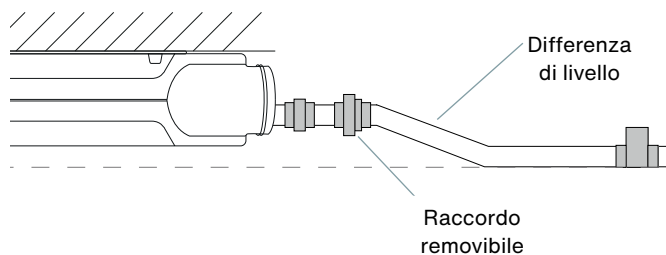


Assicurarsi che la pendenza dello scarico condensa non sia parallela all'unità o in contropendenza, verso l'unità.

Importante!

Nelle unità EVO HRV e EVO HRV PR viene collegato un solo scarico condensa, l'altro deve essere tappato. Nelle unità EVO ERV e EVO ERV PR entrambi gli scarichi condensa devono essere tappati. I tappi sono inclusi nella fornitura.

A seguire, come deve avvenire l'installazione dello scarico condensa per una unità EVO posizionata in orizzontale:



Se l'installazione è in orizzontale a soffitto, lo scarico condensa deve trovarsi al di sotto del livello dell'unità.

Attenzione!

La garanzia è valida se viene installato un sifone a secco originale Zehnder e se la rete di scarico condensa è eseguita in modo idoneo. In caso contrario, se si verifica un danno all'unità, Zehnder si ritiene esonerata da qualsiasi responsabilità.

EN

DE

IT

ET

LT

LV

6. Connessioni elettriche

La connessione alla rete elettrica deve avvenire secondo standard normativo.

I ventilatori e la scheda elettronica funzionano con una tensione di alimentazione di 230V.

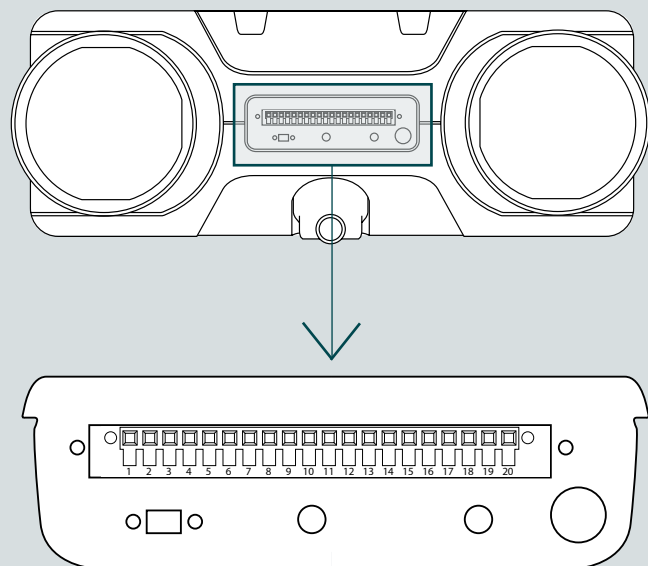


Durante tutti i lavori di intervento sull'unità, installazione o manutenzione, essa deve essere disconnessa dalla rete elettrica.

Colori identificativi dei cavi

Marrone	Fase
Blu	Neutro
Verde/giallo	Terra

Scheda di controllo integrata



Scheda di controllo integrata

Descrizione dei connettori		
Conn.	Descrizione	Scheda
PIN 1	Home automation - 10V	X-26
PIN 2	Home automation - 0V	X-26
PIN 3	Home automation - contatto pulito	X-25
PIN 4	Home automation - contatto pulito	X-25
PIN 5	Non utilizzato	-
PIN 6	Non utilizzato	-
PIN 7	Output post riscaldamento 10 V (*)	X-16
PIN 8	Output post riscaldamento 0 V (*)	X-16
PIN 9	"Mirror mode" NA/NC (*)	X-32
PIN 10	"Mirror mode" NA/NC (*)	X-32
PIN 11	Non utilizzato	-
PIN 12	Comune selettore V1	X-510
PIN 13	Selettore V2	X-510
PIN 14	Selettore V3	X-510
PIN 15	Output pre riscaldamento 230 V (**)	X-17
PIN 16	Output pre riscaldamento terra (**)	X-17
PIN 17	Output pre riscaldamento neutro (**)	X-17
PIN 18	Non utilizzato	X-28
PIN 19	Non utilizzato	X-28
PIN 20	Non utilizzato	X-28

(*) Pin non usati nei modelli Zehnder EVO 2 HRV PR e Zehnder EVO 2 ERV PR

(**) Nei modelli con preriscaldamento incluso come standard, questi pin sono utilizzati per il post-riscaldamento (opzionale) e non per il pre-riscaldamento.

EN

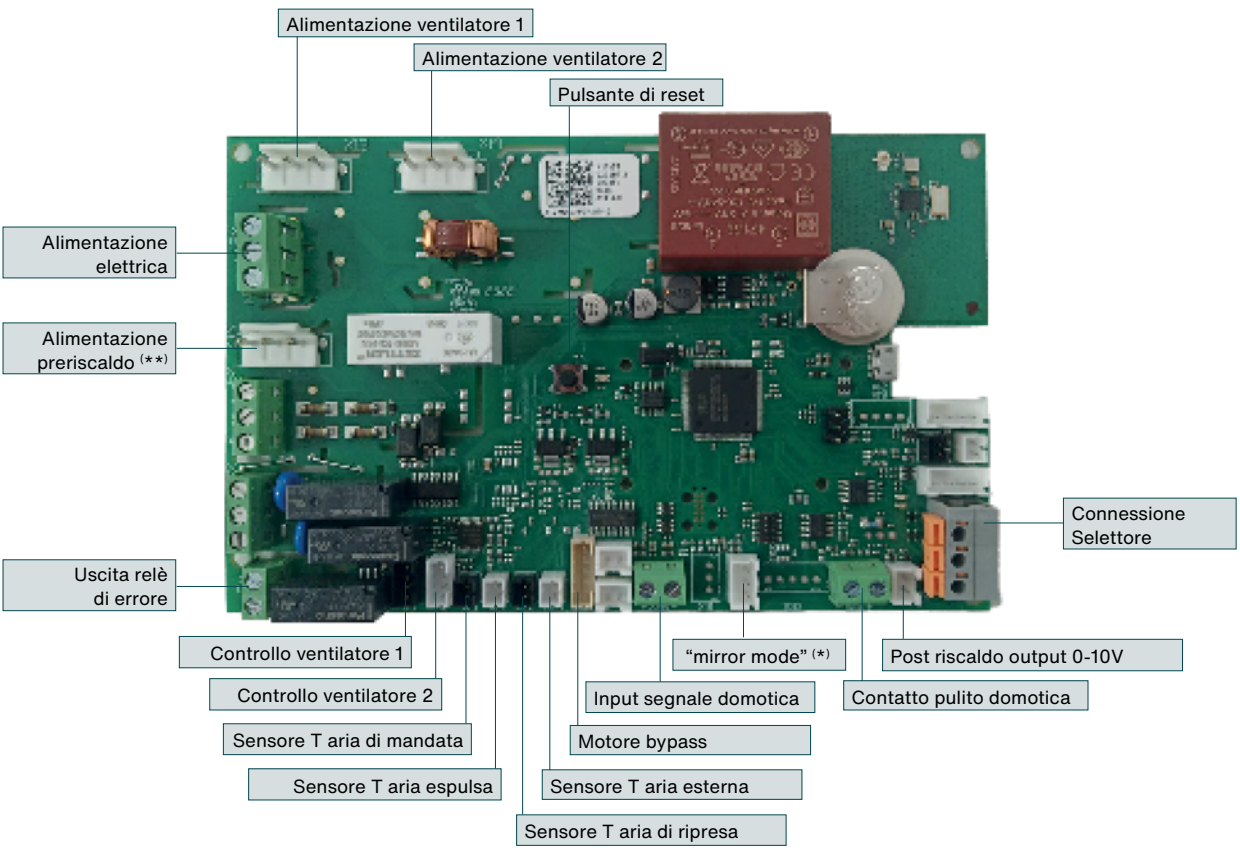
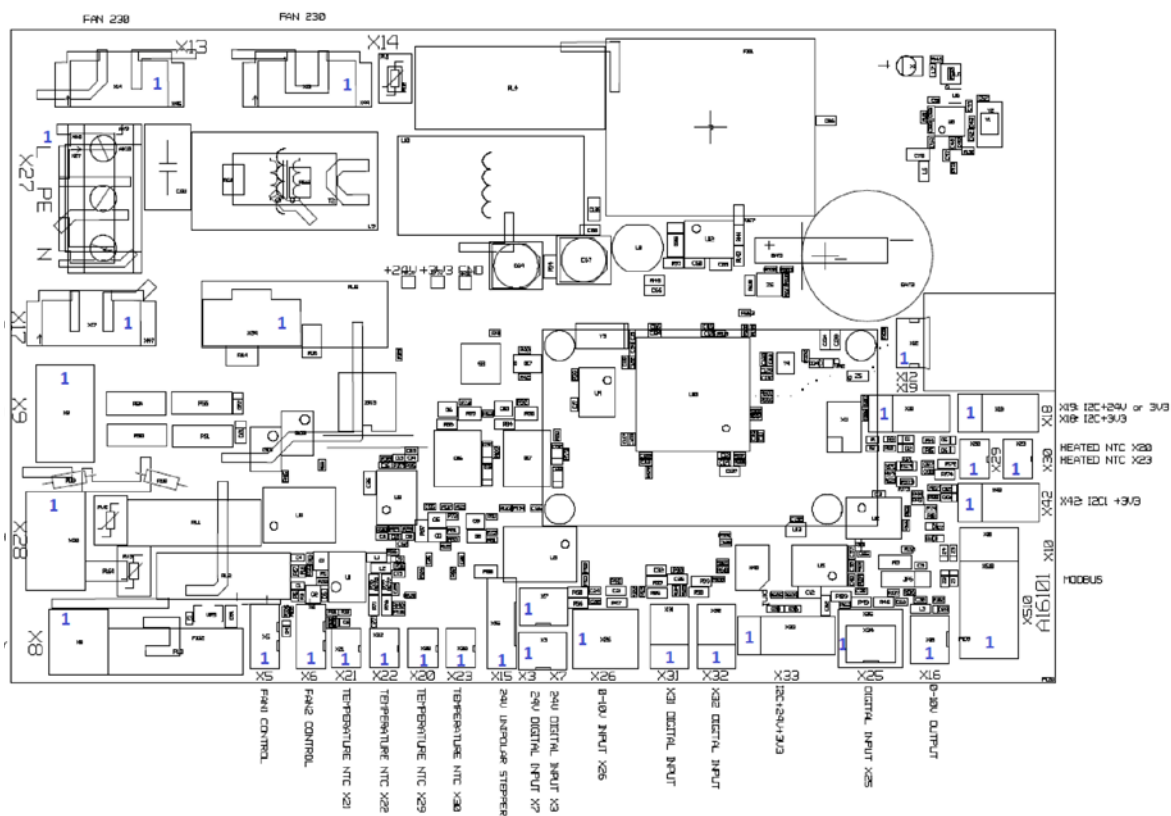
DE

IT

ET

LT

LV



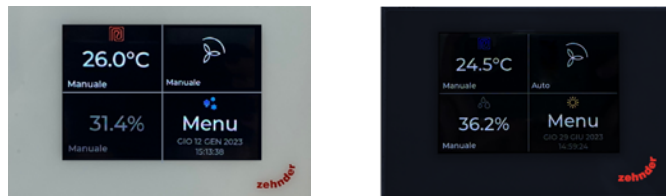
(*) Non utilizzato nei modelli Zehnder EVO 2 HRV PR e EVO 2 ERV PR.

(**) Nei modelli Zehnder EVO 2 HRV PR e EVO 2 ERV PR viene utilizzato per il post riscaldamento.

- EN
- DE
- IT
- ET
- LT
- LV

7. Controlli e connettività

Le unità della serie Zehnder EVO possono essere supervisionate e controllate in vari modi. A seguire, un elenco degli accessori disponibili.



7.1. Zehnder Multi Control

Le unità Zehnder EVO possono essere controllate tramite Zehnder Multi Control, e, di conseguenza, abbinare ai sistemi di post-trattamento Zehnder ComfoDew o Zehnder ComfoPost.

L'unità di ventilazione usa come velocità di base la minima, Multi Control, tramite i relè in esso contenuti, attiva la seconda e la terza velocità quando desiderato o necessario per soddisfare le esigenze di post trattamento.

Tramite Multi Control è possibile selezionare la modalità di funzionamento manuale o automatica, redigere programmi orari settimanali, visualizzare l'allarme di cambio filtro.



Se, oltre al Multi Control, è collegato un altro comando per la supervisione e il controllo dell'unità, come Zehnder EVO Sense, esso deve essere lasciato sempre in modalità manuale e alla velocità 1. In caso contrario, Multi Control non funzionerà correttamente.



Zehnder Multi Control può essere connesso all'app "Zehnder Multi Controller", che supervisiona e controlla l'unità di ventilazione, le zone termiche, la centrale termica.

7.2. Zehnder EVO Sense wireless



Il comando intelligente wireless EVO Sense comunica tramite RF (radiofrequenza) con l'unità di ventilazione e permette di selezionare cinque diverse portate. Permette inoltre la redazione di programmi orari giornalieri e settimanali, e la selezione della modalità di funzionamento automatica.

È un'interfaccia utente e di installazione per la supervisione e la configurazione dell'unità di ventilazione collegata.

7.3. Zehnder EVO Switch RF



Il comando a pulsante wireless a 4 posizioni EVO Switch comunica tramite RF (radiofrequenza) con l'unità di ventilazione e può scegliere tra quattro diverse modalità di funzionamento. Ha un indicatore di allarme cambio filtro.

7.4. Sensore CO₂ RF



Il sensore wireless di CO₂ rileva il livello di anidride carbonica nell'aria all'interno dell'ambiente in cui è posizionato, inviando le sue misurazioni tramite RF (radiofrequenza) all'unità Zehnder EVO. L'unità varia di conseguenza la sua portata, scegliendo il livello appropriato per garantire la qualità dell'aria interna in base alle informazioni trasmesse del sensore.

7.5. Sensore di umidità RF



Il sensore wireless rileva l'umidità relativa nell'aria all'interno dell'ambiente in cui è posizionato, inviando le sue misurazioni tramite RF (radiofrequenza) all'unità Zehnder EVO. L'unità varia di conseguenza la portata di ventilazione, scegliendo il livello appropriato per garantire la qualità dell'aria interna in base alle informazioni trasmesse dal sensore.

EN

DE

IT

ET

LT

LV

7.6. Smart connectivity


Puoi trasformare la tua casa in una “Smart home” utilizzando vari metodi di interfaccia:

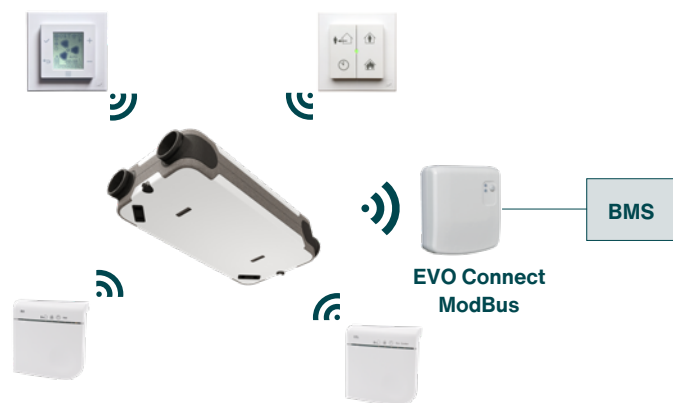
- EVO Connect ModBus;
- EVO Connect ModBus-KNX.

7.6.1. EVO Connect ModBus

Il dispositivo “EVO Connect ModBus” si collega via cavo al sistema di gestione dell'edificio (BMS) e, tramite linguaggio ModBus, consente la lettura e la scrittura dei dati relativi all'unità di ventilazione EVO e dei sensori (umidità/CO₂) e controlli wireless (EVO Sense/EVO Switch) compatibili eventualmente collegati.

La comunicazione con l'unità EVO avviene via RF.


 **EVO Connect ModBus richiede alimentazione a 24 VAC/DC per funzionare correttamente.**

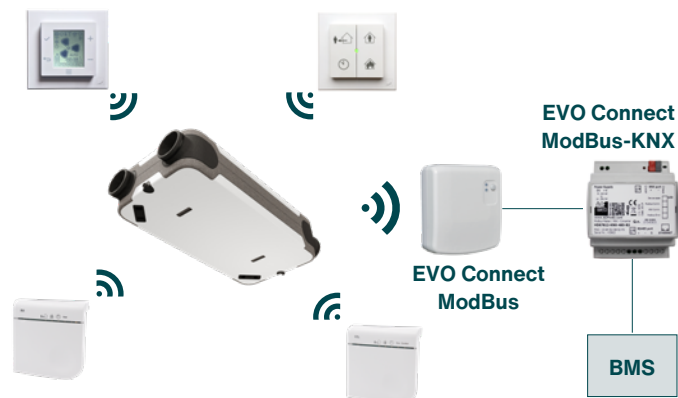


7.6.2. EVO Connect ModBus - KNX

Il dispositivo “EVO Connect ModBus - KNX” è un convertitore ModBus/KNX che deve essere collegato via cavo al gateway EVO Connect ModBus, per tradurre le informazioni raccolte dal gateway e inviarle via cavo al BMS.

Raccoglie le informazioni dalle unità EVO e dai sensori (umidità/CO₂) e controlli wireless (EVO Sense/EVO Switch) compatibili eventualmente collegati.

 **EVO Connect ModBus - KNX richiede alimentazione a 24 VAC/DC per funzionare correttamente.**



EN

DE

IT

ET

LT

LV

8. Messa in funzione

L'unità di ventilazione può essere messa in funzione dopo l'installazione. Procedere come segue.

- Leggere fino in fondo le istruzioni per la messa in funzione prima di iniziare.
- Chiudere tutte le finestre e le porte esterne e interne.
- Controllare che tutte le valvole siano montate correttamente e aprirle il più possibile.
- Assicurarsi che tutti i filtri dell'unità di ventilazione e delle valvole siano come nuovi. I filtri sporchi possono falsare il risultato della messa in funzione.
- Impostare l'unità di ventilazione sul livello di ventilazione 3. La modalità automatica non deve essere attivata.
- Controllare che le fessure sotto le porte o le griglie di transito siano liberi e che lascino fluire liberamente l'aria. Questi devono restare tali anche durante il successivo funzionamento dell'unità di ventilazione.
- Iniziare a regolare le valvole, partendo dalla valvola più sfavorita in termini di flusso (di solito la valvola più lontana dall'unità di ventilazione). Utilizzare uno strumento di misura tarato per impostare la portata nominale desiderata su ogni valvola.
- Per ridurre al minimo il consumo energetico, assicurarsi che una valvola dell'aria di mandata e una dell'aria di ripresa rimangano aperte il più possibile.
- Ripetere la regolazione della portata volumetrica finché tutte le valvole risultino tarate alla portata desiderata.
- Se non è possibile bilanciare la portata d'aria con le velocità preimpostate, è possibile regolare il numero di giri del ventilatore nelle singole portate.

9. Funzionamento

L'unità viene consegnata pronta per essere collegata all'alimentazione elettrica e funziona in modo completamente automatico. L'aria viziata estratta dall'interno trasferisce l'energia termica all'aria di rinnovo proveniente dall'esterno. L'aria fresca e pulita viene immessa nell'abitazione a una temperatura pre-condizionata, fresca in estate e calda in inverno, consentendo un importante risparmio energetico.

A seconda del tipo di controllo utilizzato, possono essere presenti fino a cinque portate di ventilazione.

La regolazione dell'unità è a portata costante, cioè il flusso d'aria di mandata e di estrazione viene ottenuto indipendentemente dalla perdita di pressione del condotto.

9.1. Funzionamento del bypass

Il bypass di serie consente di immettere aria dall'esterno direttamente, passando attraverso il filtro ma non attraverso lo scambiatore di calore, sfruttando così le temperature favorevoli che possono verificarsi in determinati momenti all'esterno, come durante le notti estive quando è preferibile far entrare aria fresca per ridurre gratuitamente la temperatura all'interno dell'abitazione (free-cooling). La valvola di bypass si attiva automaticamente quando si verificano determinate condizioni, come da tabella sottostante.

Funzionamento del bypass	
Bypass aperto	<ul style="list-style-type: none"> ▪ La temperatura esterna è superiore a 10°C. ▪ In estate, la temperatura esterna è di 3°C inferiore alla temperatura dell'aria estratta dalla casa e inferiore alla temperatura di comfort. ▪ In inverno, la temperatura esterna è di 3°C superiore alla temperatura dell'aria estratta dalla casa e superiore alla temperatura di comfort.
Bypass chiuso	<ul style="list-style-type: none"> ▪ La temperatura esterna è inferiore a 10°C. ▪ In estate, la temperatura esterna è superiore alla temperatura dell'aria estratta dalla casa e superiore alla temperatura di comfort. ▪ In inverno, la temperatura esterna è inferiore alla temperatura dell'aria estratta dalla casa e inferiore alla temperatura di comfort.

ATTENZIONE!

L'unità Zehnder EVO rileva automaticamente la stagione corrente.

9.2. Sicurezza antigelo

Per evitare la formazione di ghiaccio sullo scambiatore di calore quando ci sono temperature esterne molto basse, Zehnder EVO è dotata di una protezione di sicurezza antigelo.

I sensori misurano le temperature nello scambiatore di calore e, se necessario, i ventilatori mettono in atto uno squilibrio progressivo dei flussi.

Quando vengono raggiunti -2°C nei modelli senza preriscaldamento Zehnder EVO 2 HRV e Zehnder EVO 2 ERV, o -16°C nei modelli con preriscaldamento Zehnder EVO 2 HRV PR e Zehnder EVO 2 ERV PR, l'unità si ferma per prevenire danni allo scambiatore, verificando ogni ora se la temperatura è di nuovo idonea al funzionamento.

EN

DE

IT

ET

LT

LV

10. Procedura di manutenzione



Eseguire regolarmente tutte le procedure di manutenzione preventiva elencate in questo capitolo. Se gli interventi di manutenzione preventiva non vengono eseguiti regolarmente, le prestazioni dell'impianto di ventilazione risulteranno compromesse.



Prima di iniziare la manutenzione, lasciare funzionare l'unità di ventilazione al livello 3 per almeno due minuti per rimuovere la condensa dallo scambiatore di calore.



Se è necessario sostituire un componente, ordinare un pezzo di ricambio originale da Zehnder e far eseguire l'intervento solo ed esclusivamente da un Centro di Assistenza Tecnica autorizzato Zehnder.



Gli interventi di manutenzione, ad eccezione della sostituzione dei filtri, devono essere eseguiti esclusivamente da personale specializzato.



Prima di iniziare i lavori di manutenzione, scollegare sempre l'unità di ventilazione dall'alimentazione elettrica, se non diversamente specificato. Se essa viene fatta funzionare aperta, vi è un concreto rischio di lesioni personali. Assicurarsi che essa non possa essere accesa accidentalmente.



Adottare sempre misure per prevenire le scariche elettrostatiche quando si lavora con l'elettronica, poiché l'elettricità elettrostatica può danneggiarla irreparabilmente.

10.1. Manutenzione dei filtri dell'aria

Questa manutenzione può essere eseguita dall'utente.

Si raccomanda di controllare i filtri ogni tre mesi. Se è evidente la presenza di sporcizia grossolana (insetti, piccole componenti vegetali, ecc.) è possibile aspirarli e riposizionarli a bordo dell'unità.

I filtri devono essere sostituiti almeno ogni sei mesi. Procurarsi preventivamente dei filtri di ricambio, avendo cura di verificare che si tratti di filtri originali Zehnder.

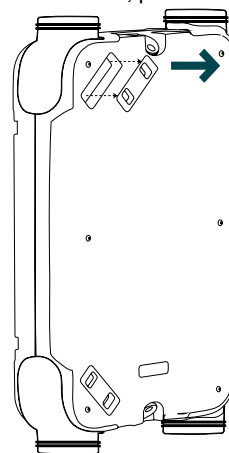
ATTENZIONE!

L'unità Zehnder EVO non deve mai essere messa in funzione senza filtri.

1. Se presente un comando remoto EVO Sense, iniziare la procedura di sostituzione del filtro sul comando. In alternativa, spegnere l'unità. Se l'unità è collegata a un comando EVO Switch o Multi Control, ricordarsi di azzerare l'allarme di cambio filtro una volta terminata la procedura.

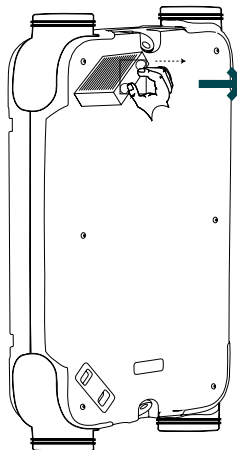
2. Rimuovere i tappi dei vani filtro.

3. Estrarre delicatamente i filtri sporchi utilizzando le apposite alette. Se i filtri sono differenti, prendere nota della loro posizione:



il filtro ISO ePM1 è posizionato sulla presa aria esterna, mentre il filtro ISO Coarse è posizionato sulla ripresa dall'ambiente.

4. Riposizionare i filtri negli appositi vani, rispettando



EN

DE

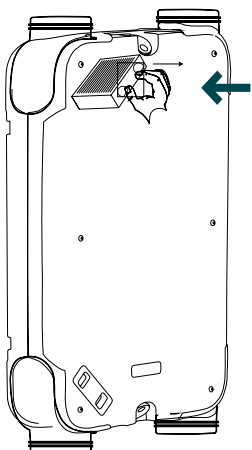
IT

ET

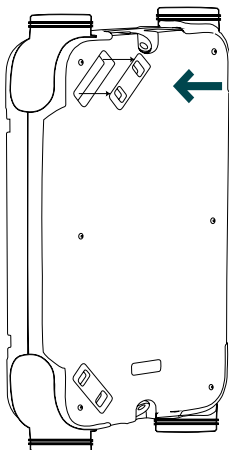
LT

LV


l'orientamento e le posizioni riscontrate al punto 3.



5. Riposizionare i tappi dei vani filtro.



6. Terminare la procedura di cambio filtri o riaccendere l'unità.

 **In occasione del cambio filtri dell'unità, procedere alla pulizia dei filtri posizionati sulle griglie o valvole interne e delle griglie di presa aria esterna ed espulsione.**

 **Smaltire il filtro sporco nel contenitore dei rifiuti indifferenziati (residuo).**

10.2. Pulizia dell'unità di ventilazione

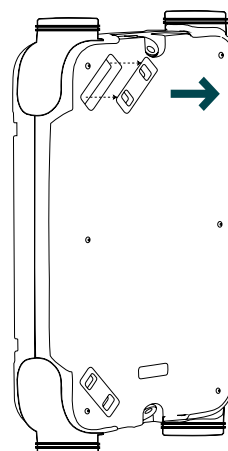
Si raccomanda l'ispezione e la pulizia tutte le componenti interne dell'unità EVO (scambiatore di calore, ventilatori ecc.) ogni due anni.

ATTENZIONE!

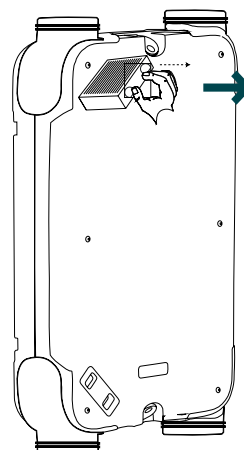
Questa manutenzione deve essere effettuata solo da un tecnico qualificato e autorizzato Zehnder. Contattare il Centro di Assistenza Tecnica più vicino

1. Scollegare l'unità dall'alimentazione elettrica.

2. Rimuovere i tappi dei vani filtro.



3. Estrarre delicatamente i filtri utilizzando le apposite alette. Se i filtri sono differenti, prendere nota della loro posizione: il filtro ISO ePM1 è posizionato sulla presa aria esterna, mentre il filtro ISO Coarse è posizionato sulla ripresa dall'ambiente.



EN

DE

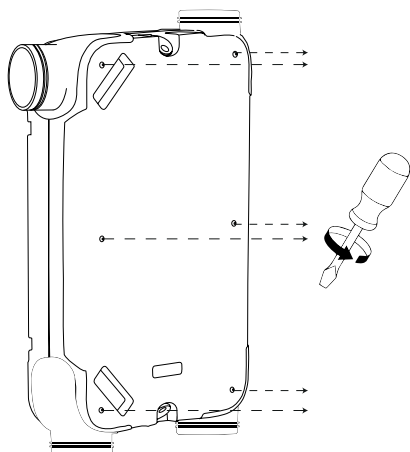
IT

ET

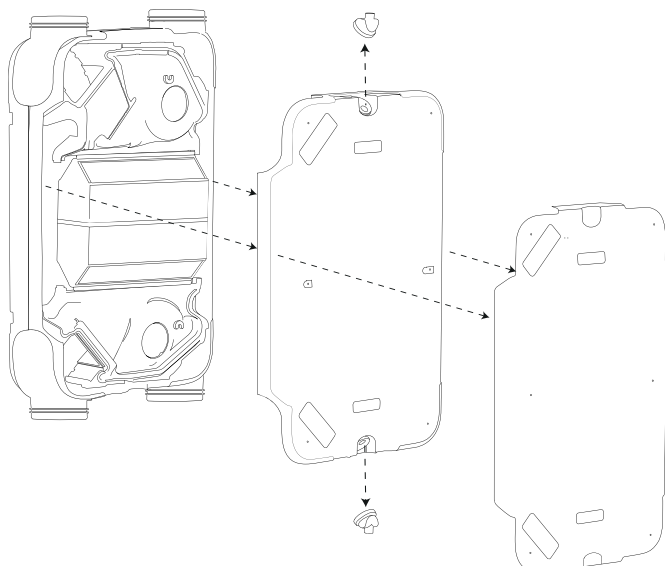
LT

LV

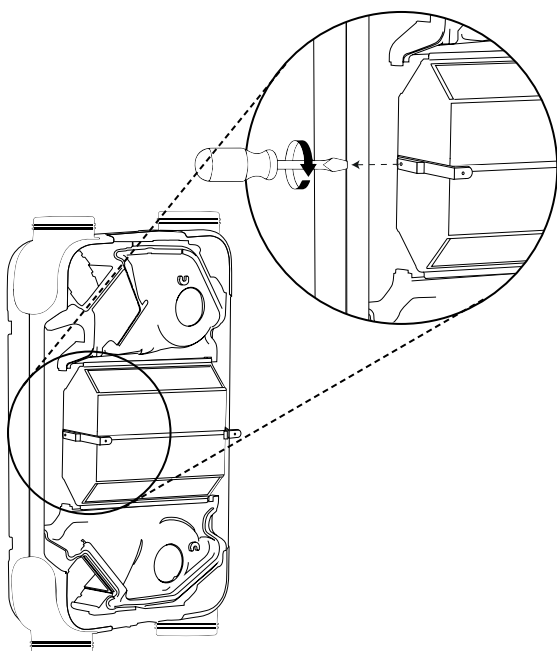
4. Rimuovere le viti della cover metallica esterna



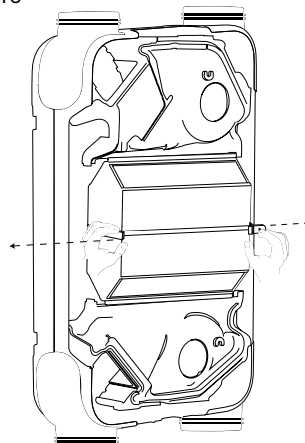
5. Rimuovere la cover metallica e la copertura in polipropilene, lasciando esposto scambiatore, ventilatori, canale di bypass.



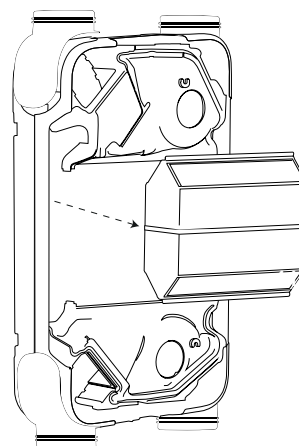
6. Svitare e rimuovere la staffa di supporto a sinistra



7. Separare le staffe che trattengono lo scambiatore, così da poterlo rimuovere

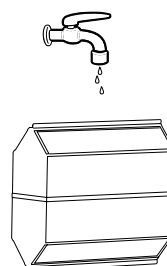


8. Rimuovere lo scambiatore



Rimuovere lo scambiatore con particolare cura. Una piccola quantità di condensa potrebbe essere presente nello scambiatore.

9. Pulire lo scambiatore con acqua corrente



10. Controllare che l'interno visibile dell'unità sia pulito: vano scambiatore, canale di bypass, elementi in polipropilene. Se necessario, procedere alla pulizia, eseguita con un panno morbido.

11. Pulire le ventole con un aspiratore dotato di spazzola, e controllare che non siano danneggiate. Se lo sono, sostituirle.

EN

DE

IT

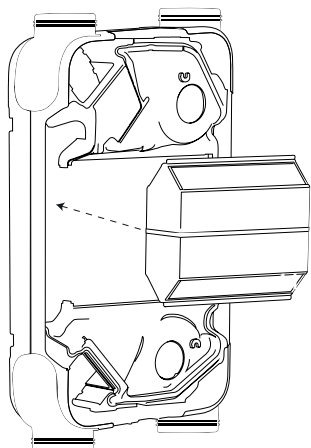
ET

LT

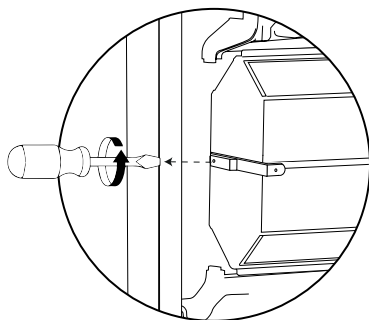
LV

12. Una volta terminate le operazioni di pulizia, rimontare l'unità.

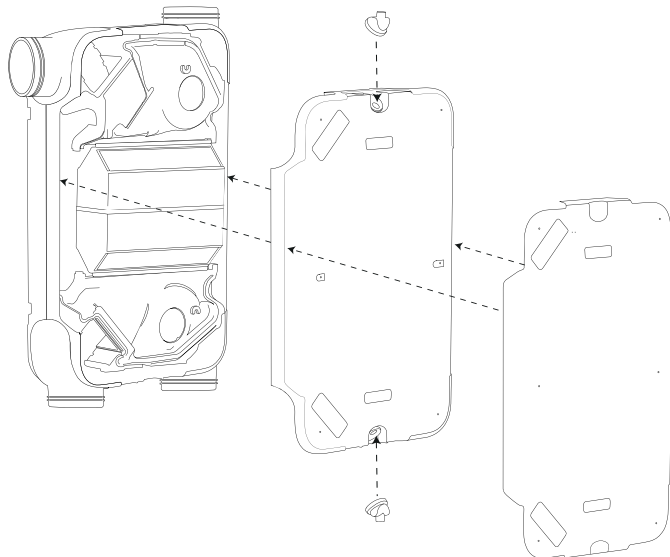
13. Riposizionare lo scambiatore nel suo vano



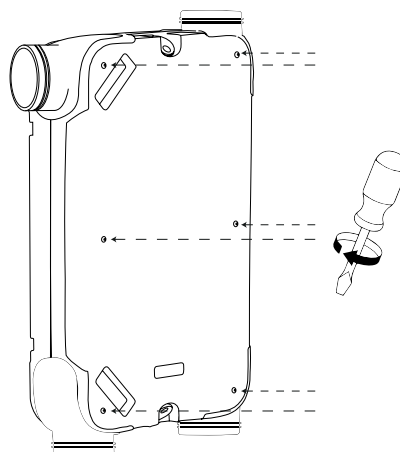
14. Riposizionare il supporto di sinistra e riavvitare la vite



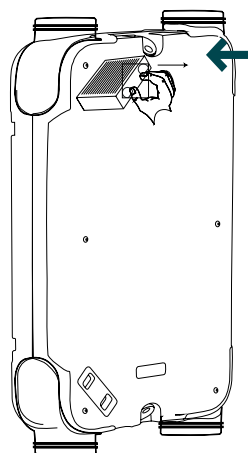
15. Riposizionare la cover in polipropilene e la cover metallica.



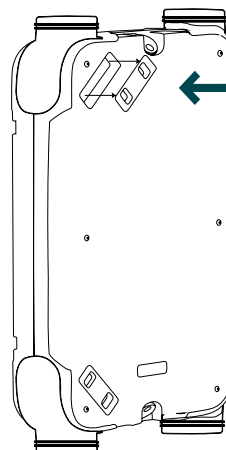
16. Riavvitare le viti sulla cover metallica.



17. Riposizionare i filtri negli appositi vani, rispettando l'orientamento e le posizioni riscontrate al punto 3



18. Riposizionare le cover dei filtri



Accertarsi che la cover in polipropilene superiore combaci perfettamente con la parte inferiore e che non rimangano fessure sui lati. In caso contrario, controllare che i cavi siano correttamente posizionati nelle apposite scanalature passacavo.

EN

DE

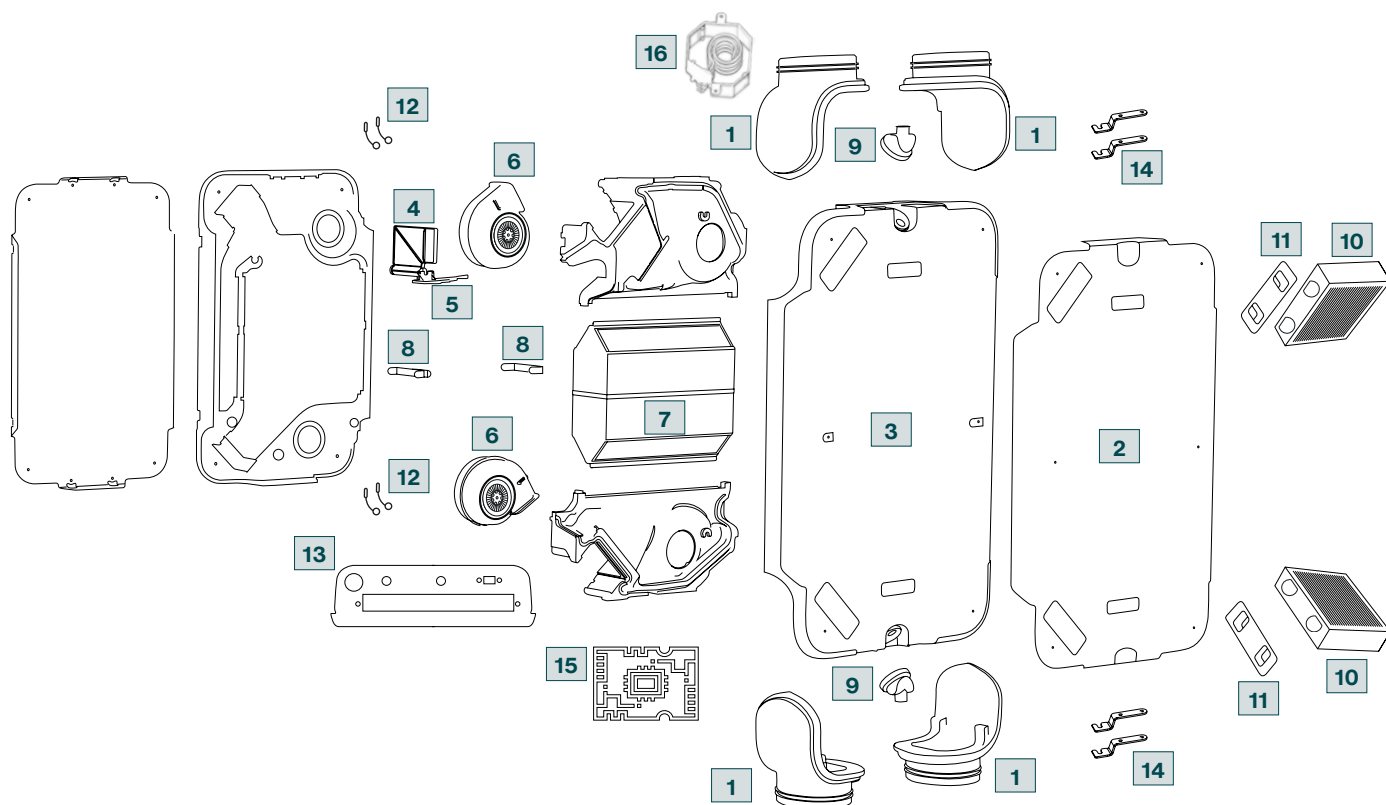
IT

ET

LT

LV

11. Panoramica dell'unità e descrizione delle componenti



N°	Descrizione componente	n° pezzi
1	Raccordi orientabili	4 pezzi
2	Cover frontale	1 pezzo
3	Polipropilene di copertura di ventilatori, scambiatore, elettronica	1 pezzo
4	Valvola di bypass	1 pezzo
5	Motore valvola di bypass	1 pezzo
6	Ventilatori ad alta efficienza	2 pezzi
7	Scambiatore ad alta efficienza di recupero dell'energia	1 pezzo
8	Staffe di fissaggio scambiatore	2 pezzi
9	Scarico condensa orientabile	2 pezzi
10	Filtri ad alte prestazioni	2 pezzi
11	Cover filtri	2 pezzi
12	Sensore di temperatura	4 pezzi
13	Scheda di connessione	1 pezzo
14	Blocco silenziato	4 pezzi
15	Scheda elettronica	1 pezzo
16	Preriscaldamento (*)	1 pezzo

(*) Incluso solo nei modelli Zehnder EVO 2 HRV PR e Zehnder EVO 2 ERV PR.

EN

DE

IT

ET

LT

LV

ET Paigaldusjuhend

1.	Sisukord	
1.	Sissejuhatus	3
1.1.	Zehnder EVO 2 seadme kasutamine	3
1.2.	Garantiitingimused	3
2.	Sissejuhatus ja ohutus	3
2.1.	Sissejuhatus	3
2.2.	Turvalisus	4
2.3.	Paigaldustingimused	4
2.4.	Kaminatega ruumides kasutamise eeskirjad	5
2.5.	Vastavus	5
3.	Transport ja tarnimine	5
3.1.	Transpordi ohutusjuhised	5
3.2.	Tarnitud esemete kontrollimine	5
3.3.	Ventilatsiooniseadme lahtipakkimine	6
4.	EVO 2 seadme omadused	6
4.1.	Ühendused	6
4.2.	Mudeli muutmine paremakäelisest vasakukäeliseks	7
4.3.	Seadme diagramm	7
4.4.	Tehnilised andmed	8
4.5.	Elektrilise eelküttekalorifeeri mudelid EVO 2 HRV PR ja EVO 2 ERV PR	8
4.6.	Energiatõhususe klassid	8
4.7.	Jõudlusgraafikud	9
4.8.	Tööpunktid	9
4.9.	Entalpia soojustagasti tööpõhimõte	9
4.10.	Akustilised andmed	10
5.	Paigaldamine	10
5.1.	Mõõtmed	10
5.2.	Esialgssed hinnangud	10
5.3.	Paigaldamine	11
5.4.	Lakke paigaldamine	11
5.5.	Seinale paigaldamine	12
5.6.	Ühenduste paigutamine	14
5.7.	Kondensaadi äravoolu ühendamine	15
6.	Elektriühendused	16
7.	Juhtimisseadmed ja ühendatavus	18
7.1.	Zehnder Multi Control	18
7.2.	Zehnder EVO Sense juhtmevaba	18
7.3.	Zehnder EVO Switch	18
7.4.	Zehnder EVO CO ₂ -andur	18
7.5.	Zehnder EVO niiskusandur	18
7.6.	Targa kodu ühenduvus	19
7.6.1.	Zehnder EVO Connect ModBus	19
7.6.2.	Zehnder EVO Connect Modbus-KNX	19
8.	Kasutuselevõtt	20
9.	Toimimine	20
9.1.	Möödaviigu tööpõhimõte	20
9.2.	Külmakaitse kaitseseade	20
10.	Hooldusprotseduur	21
10.1.	Õhufiltri hooldus	21
10.2.	Ventilatsiooniseadme puhastamine	22
11.	Seadme ülevaade ja komponentide kirjeldus	25

EN

DE

IT

ET

LT

LV

1. Sissejuhatus

HOIATUS!



Enne paigaldamist ja kasutuselevõttu lugege see juhend hoolikalt läbi.

Käesolev dokument pakub tuge Zehnder EVO 2 mehaanilise ventilatsiooniseadme ohutuks ja optimaalseks paigaldamiseks, kasutuselevõtuks ja hoolduseks.

Zehnder EVO 2 võib allpool olla nimetatud kui „ventilatsiooniseade“.

Kuna meie tooteid arendatakse ja täiustatakse pidevalt, võib teie seade erineda siin esitatud kirjeldustest.

Paigaldusjuhendi uusim väljaanne on allalaadimiseks saadaval Zehnderi veebisaidilt.

Kasutatakse järgmisi piktogramme:

Sümbol	Tähendus
	Oluline märkus
	Süsteemi kahjustamise või töövõime halvenemise oht
	Isikuvigastuse oht

!? Küsimused

Kõikide päringute, juhendite uusimate versioonide ning tehnilise toe osas võtke ühendust Zehnderiga.

Kontaktandmed:

Zehnder Baltics OÜ

Rannamõisa tee 38d, 13516 Tallinn

+372 6840 937

info.baltics@zehndergroup.com

www.zehnder.ee

1.1. Zehnder EVO 2 seadme kasutamine

- Ventilatsiooniseadet ja kõiki juhtimisseadmeid tohib kasutada ainult siis, kui need on paigaldatud vastavalt kehtivatele riiklikele ja kohalikele eeskirjadele, vastavalt käesolevas juhendis ja juhtimisseadme juhendis toodud juhiste.
- Seadet ja juhtimisseadet ei tohi kasutada füüsilise, sensoorse või vaimse puudega isikud või vajalike kogemuste ja oskusteta isikud (sh lapsed), välja arvatud juhul, kui neid juhendab vastutav isik ja nad on saanud ohutuks kasutamiseks vajalikud juhised.
- Lapsed ei tohi ventilatsiooniseadmega mängida.
- Lapsed ei tohi teha ventilatsiooniseadmega järelevalveta toiminguid.

1.2. Garantiitingimused

Tootja annab ventilatsiooniseadmele garantii, mille kestus on 24 kuud alates paigaldamisest või mitte rohkem kui 30 kuud alates tootmiskuupäevast. Garantiiõigust saab kasutada ainult garantii-aja jooksul esinevate materjali- ja/või konstruktsioonivigade korral.

Kui tööd taotletakse garantiikorras, ei tohi ventilatsiooniseadet avada ega lahti võtta ilma tootja kirjaliku loata. Garantii katab ainult need remonttööd ja varuosad, kui töö on tehtud volitatud tehnilise teeninduskeskuse poolt ja kasutatud on Zehnderi originaalvaruosi.

Garantii kaotab kehtivuse, kui:

- Garantiaeg on lõppenud.
- Ventilatsiooniseadet kasutatakse ilma originaal Zehnderi filtrita või ilma välisseina restita.
- Originaal Zehnderi varuosasid ei ole kasutatud.
- Ventilatsiooniseadmes on tehtud omavolilisi modifikatsioone või muudatusi.
- Defektid on tingitud süsteemi vales paigaldamisest, väärkasutusest või halvast hooldusest.

2. Sissejuhatus ja ohutus

2.1. Sissejuhatus

Zehnder EVO 2 on soojustagastusega mehaaniline ventilatsiooniseade, mis on mõeldud pideva ja energiasäästliku õhuvahetuse tagamiseks väikestes hoonetes, korterites ja kodudes. Ventilatsiooniseade tõmbab niiske, seisnud õhu välja märgadest ruumidest nagu köök ja vannituba ning puhub samal ajal värsket õhu eluruumidesse, näiteks elu- ja magamistubadesse. Õhk ringleb läbi ukse all olevate avade või läbi spetsiaalsete mürasummutavate siirdeõhurestide.

Soojustagastusega ventilatsioonisüsteem sisaldab:

- ventilatsiooniseadet;
- õhuvõtu ja heitõhu torustikku;
- sissepuhke ja väljatõmbe torustikku erinevates ruumides;
- plafoone ja disainvõresid värsket õhu sissepuhkeks elu- ja magamistubadesse ning muudesse eluruumidesse;
- plafoone ja disainvõresid musta õhu väljatõmbeks köögist, vannitoast ja teistest niisketest ruumidest;
- välisreste õhuvõtuks ja heitõhuks.

EN

DE


IT


ET


LT

LV

 Enne ventilatsiooniseadme kasutamise alustamist lugege juhendit.


 Veenduge, et uste all olevad avad või siirdeõhuretid ei oleks ummistunud, et tagada õhu ringlus läbi hoone.


 Ventilatsiooniseadme välisküljele võib tekkida kondensaat. Selle ilmnmisel ei ole vaja midagi ette võtta.


 Ventilatsiooniseade tuleb utiliseerida keskkonnasõbralikul viisil. Ärge visake seadet olmejäätmete hulka.


2.2. Turvalisus


Lugege hoolikalt läbi kõik ohutusjuhised, et tagada ventilatsiooniseadme ohutu ja korrektne kasutamine.


 **HOIATUS! Ohtlik elektripinge.**
Loodusõnnetuse korral ühendage toide lahti.


 Järgige käesolevas juhendis toodud ohutusnõudeid, ettevaatusabinõusid ja juhiseid. Nõuete eiramine võib kahjustada seadet või põhjustada kehavigastusi.


 Paigaldamist, kasutuselevõtmist ja hooldust peavad teostama spetsialiseerunud tehnikud, kui juhendis ei ole sätestatud teisiti.


 Ärge avage ventilatsiooniseadet. Spetsialiseerunud tehnik peab tagama, et kõik osad, mis võivad põhjustada kehavigastusi, on seadmesse ohutult paigutatud.


 Kui käesolevas juhendis ei ole ette nähtud teisiti, hoidke seade alati töös. Vastasel juhul võib niiskus koguneda ja tekkida hallitus.


 Ventilatsiooniseadme ja sellega ühendatud juhtimisseadmete muutmine on keelatud. Füüsilised või tarkvaralised muudatused põhjustavad garantii kaotuse ja võivad põhjustada talitlushäireid või kehavigastusi.

 Kui toitejuhe on kahjustatud, peab selle asendama Zehnderi volitatud spetsialist.

 Paigaldamisel tuleb järgida kehtivaid riiklikke ja kohalikke eeskirju ning käesolevat juhendit. Paigaldage kaitseüliti toiteallika väljalülitamiseks.

 Enne hooldus- või remonditööde alustamist tuleb ventilatsiooniseade alati elektrivõrgust lahti ühendada. Veenduge, et see ei saaks kogemata taaskäivituda.

 Ärge käivitage avatud ventilatsiooniseadet: elektripinge ja ventilaatorite liikumine võivad põhjustada kehavigastusi.

 Võtke seadme kallal töötades tarvitusele sobivad meetmed elektrostaatiliste laengute vältimiseks. Staatileine elekter võib kahjustada elektrilisi komponente.

2.3. Paigaldustingimused

Ventilatsiooniseade on ette nähtud kasutamiseks kodudes, kontorites, väikestes töökodades ja sarnastes kohtades, tingimusel, et:

- puuduvad saunad ja basseinid;
- õhuniiskuse tase ei ole liiga kõrge;
- tolmu tase ei ole liiga kõrge;
- ei ole kahjulikke või potentsiaalselt söövitavaid aineid.

Selleks, et teha kindlaks, kas ventilatsiooniseadet saab kasutada ettenähtud kohas, kontrollige, et:

- on olemas 230 V, 50 Hz elektrivarustus; mis tahes muu tööpinge või -sagedus võib põhjustada seadmele korvamatuid kahjustusi;
- ruumitemperatuur on kogu aeg lubatud vahemikus (vt tabelit „Tehnilised andmed“);
- õhuniiskus ruumis ei ole ülemäärane, ei kondenseeru ja jääb kogu aeg lubatud piiridesse (vt tabelit „Tehnilised andmed“). Ärge paigaldage seadet kohtadesse, kus õhuniiskus on üle keskmise, näiteks vannitubadesse või riietusruumidesse.

Kontrollige, et paigalduskohas oleks piisavalt ruumi õhujaotussüsteemi jaoks.

Jätke ventilatsiooniseade täielikult ligipääsetavaks, et võimaldada hooldustoiminguid.

Zehnder EVO 2 võib paigaldada seinale või lakke, kasutades kaasasolevaid kinnitusklambreid.

 Erinevate paigaldusvõimalustega tutvumiseks vaadake vastavat jaotist.

EN

DE

IT

ET

LT

LV

2.4. Kaminatega ruumides kasutamise eeskirjad

Ventilatsiooniseadme ohutuks kasutamiseks tuleb silmas pidada kohalikke nõudeid, mis sisalduvad asjakohastes määrustes, seadustes ja direktiivides. Zehnder EVO 2 võib paigaldada meelelahutusasutustes, korterites või sarnastes hooneüksustes, kus on paigaldatud kaminad või muud välisõhuga töötavad põletussüsteemid, ainult juhul, kui:

- ohutusseadmed takistavad välisõhu kaminatega ja õhu väljatõmbesüsteemi samaaegset toimimist.

Või

- suitsugaaside väljavoolu välisõhul töötavast põlemissüsteemist jälgitakse spetsiaalsete ohutusseadmetega. Vedel- või gaaskütust põletavate põlemissüsteemide puhul tuleb põlemis- või ventilatsioonisüsteem ohutusseadise rakendamisel välja lülitada. Tahkeid kütuseid põletavate põletussüsteemide puhul tuleb ohutusseadme käivitumisel ventilatsioonisüsteem sulgeda.

Soojustagastusega ventilatsiooniseadmeid ei saa paigaldada, kui hooneüksus sisaldab põlemissüsteemi, mis kasutavad välisõhku, mis on ühendatud mitme ühendusega suitsugaaside väljalaskesüsteemidega. Korrektseks toimimiseks peab olema võimalik sulgeda põlemisõhukanalid ja avatud kambriga süsteemide suitsugaaside väljalaskesüsteemid. Tahkeküttega kütteseadmeid peab olema võimalik kustutada ainult käsitsi juhitava väljalülitusseadme abil. Katkestusseadme asend peab olema selgelt eristatav juhtkangi asendist. See nõue on täidetud, kui kasutatakse tahmavastast väljalülitusseadet (tahma blokeerivat seadet).

Tuleohutusnõuded: soojustagastusega ventilatsioonisüsteemi paigaldamisel tuleb järgida riiklike ja kohalike paigaldus- ja tuleohutusnõudeid.

2.5. Vastavus

Zehnder EVO ventilatsiooniseadmed, mille tootja on



Siber Zone S.l.u.

C/Can Marcia 2
08520 Las Frenquesas des Vallés
Apto de Correos n°9
Barcelona, Hispaania

vastavad ELi vastavusdeklaratsiooni ja EAC-sertifikaadi direktiividele ja määrustele.

3. Transport ja tarnimine

3.1. Transpordi ohutusjuhised



Lubatud temperatuurivahemik ladustamiseks ja transpordiks on vahemikus -20 °C kuni +50 °C.



Enne ventilatsiooniseadme transportimist lugege ohutusala teavet ja juhiseid.



Kandke ventilatsiooniseadet alati teise inimese abiga. Ventilatsiooniseadet tuleb transportimisel ja lahtipakkimisel käsitleda ettevaatlikult.



Ventilatsiooniseadme servad võivad olla teravad. Kandke löikehaavade vältimiseks kaitsekindaid.

3.2. Tarnitud esemete kontrollimine

Karbis on:

- Zehnder EVO 2 ventilatsiooniseade
- Lühike paigaldusjuhend;
- EcoDesign-märgis;
- Paigaldusklambrid;
- Kott, mis sisaldab vibratsioonivastaseid ühendusi ja kinnituskruvisid.

Kontrollige andmesilti, et veenduda, et tarnitud seade on õige:

- EVO 2 HRV: soojusvahetiga ventilatsiooniseade;
- EVO 2 ERV: entalpiasoojusvahetiga ventilatsiooniseade;
- EVO 2 HRV PR: soojusvaheti ja elektrilise eelküttekalorifeeriga ventilatsiooniseade;
- EVO 2 ERV PR: entalpiasoojusvaheti ja elektrilise eelküttekalorifeeriga ventilatsiooniseade.



Kui ventilatsiooniseade on ilmselgelt kahjustatud või puuduvad tarvikud, võtke viivitamatult ühendust tarnijaga.

Zehnder EVO 2 ventilatsiooniseade tarnitakse ilma reguleerimistarvikuteta. Valikuliste tarvikute kohta vaadake vastavat jaotist.

EN

DE

IT

ET

LT

LV

3.3. Ventilatsiooniseadme lahtipakkimine

Avage pakendi ülaosa. Tõstke ventilatsiooniseade pakendist välja ja asetage see puhtale, pehmele pinnale, et vältida selle kahjustamist.

Hoidke pappkarp alles, et kasutada seda šabloonina seadme paigaldamisel vajalike aukude puurimisel.



Käsitsege ventilatsiooniseadet ettevaatlikult. Seadme tõstmiseks on alati vaja kahte inimest. Ärge hoidke seadet õhuühendustest, sest see võib neid kahjustada.



Utiliseerige pakkematerjal keskkonnasõbralikul viisil.



Olge ettevaatlik, et kaasasolevad tarvikud ei läheks kaduma.

4. EVO 2 seadme omadused

Zehnder EVO 2 on soojustagastusega ventilatsiooniseade, mille efektiivsus on kuni 87% (toimivusdeklaratsioon vastavalt EL 1254/2014) ja maksimaalne õhuvooluhulk 200 m³/h. Seadmel on energiasäästlikud ventilaatorid ja automaatne möödaviik, mis võimaldab "vaba jahutust".

EVO 2 ventilatsiooniseadme omadused:

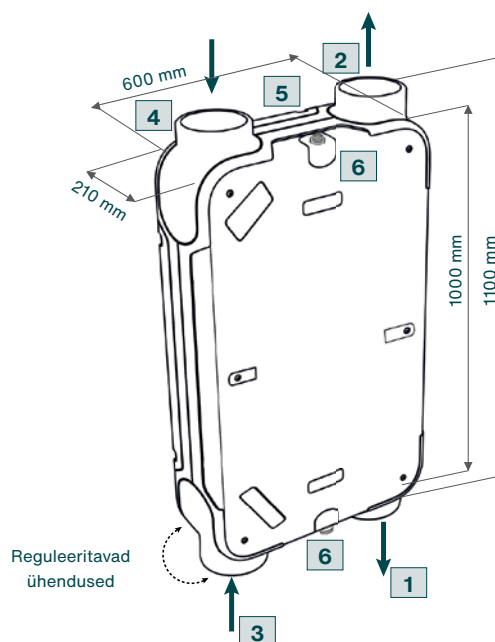
- õhuvooluhulga reguleerimine juhtpuldi kaudu;
- filtri oleku indikaator;
- nutikas külmakaitse reguleerimise süsteem, mis tagab optimaalse töö ka madalatel temperatuuridel. Kui ostetud seade on "PR" versioon, aktiveeritakse vajadusel elektriline eelküte;
- madal müratase;
- automaatne möödaviik standardvarustuses;
- konstantse õhuvooluhulga hoidmine;
- kõrge jõudlus ja madal energiakulu.

Zehnder EVO 2 on saadaval neljas versioonis:

- EVO 2 HRV: soojusvahetiga ventilatsiooniseade;
- EVO 2 ERV: entalpiasoojusvahetiga ventilatsiooniseade;
- EVO 2 HRV PR: soojusvaheti ja elektrilise eelküttekalorifeeriga ventilatsiooniseade;
- EVO 2 ERV PR: entalpiasoojusvaheti ja elektrilise eelküttekalorifeeriga ventilatsiooniseade.

Need paigaldusjuhised kehtivad kõigi Zehnder EVO 2 seadmete versioonide kohta.

4.1. Ühendused



Standardse paremakäelise konfiguratsiooni selgitus

Sümbol	Tähendus
1	Sissepuhe
2	Heitõhk
3	Väljatõmme
4	Õhuvõtt
5	Elektriühendused
6	Kondensaadi äravool *

* EVO 2 HRV ja EVO 2 HRV PR seadmete puhul on vajalik ühendus kondensaadi äravoolusüsteemiga. Lisateabe saamiseks vaadake vastavat jaotist.

EN

DE

IT

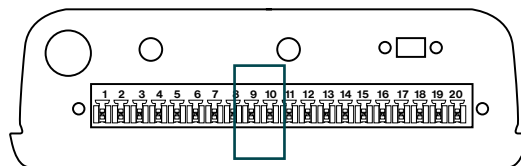
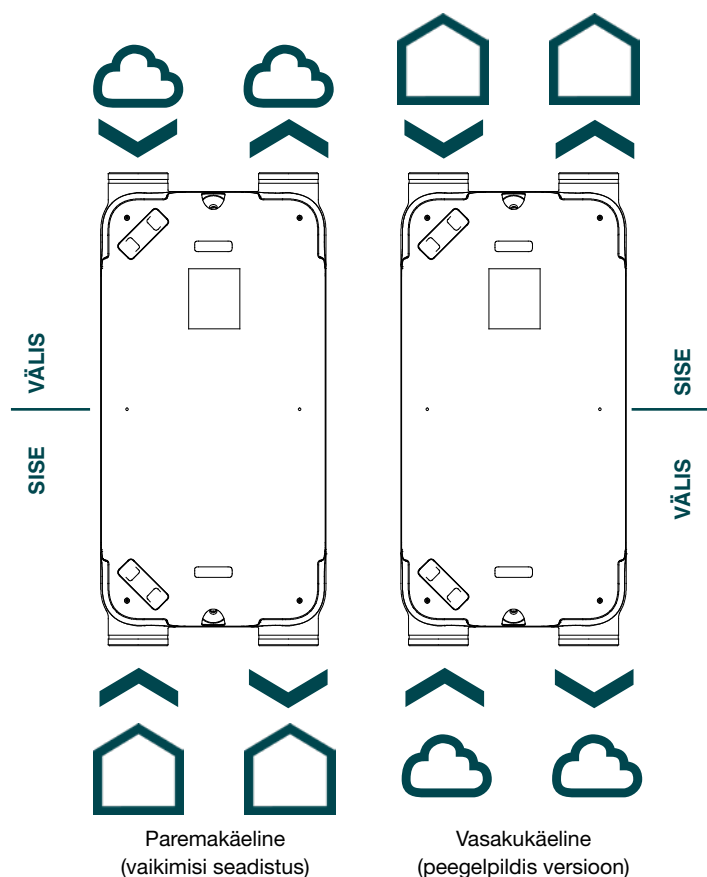
ET

LT

LV

4.2. Mudeli muutmine paremakäelisest vasakukäeliseks

Seadistuse muutmiseks paremakäelisest vasakukäeliseks tuleb sillata elektriühendused 9 ja 10.



TÄHELEPANU!

Kui seade on seinalle paigaldatud, võib seda paigaldada **AINULT** nii, et elektrilised ühendused on suunatud ülespoole.

Seade koos tava-soojustusvahetiga (HRV) **PEAB** olema paigaldatud nii, et õhuvõtu ja heitõhu ühendused on suunatud allapoole (vasakukäeline versioon).

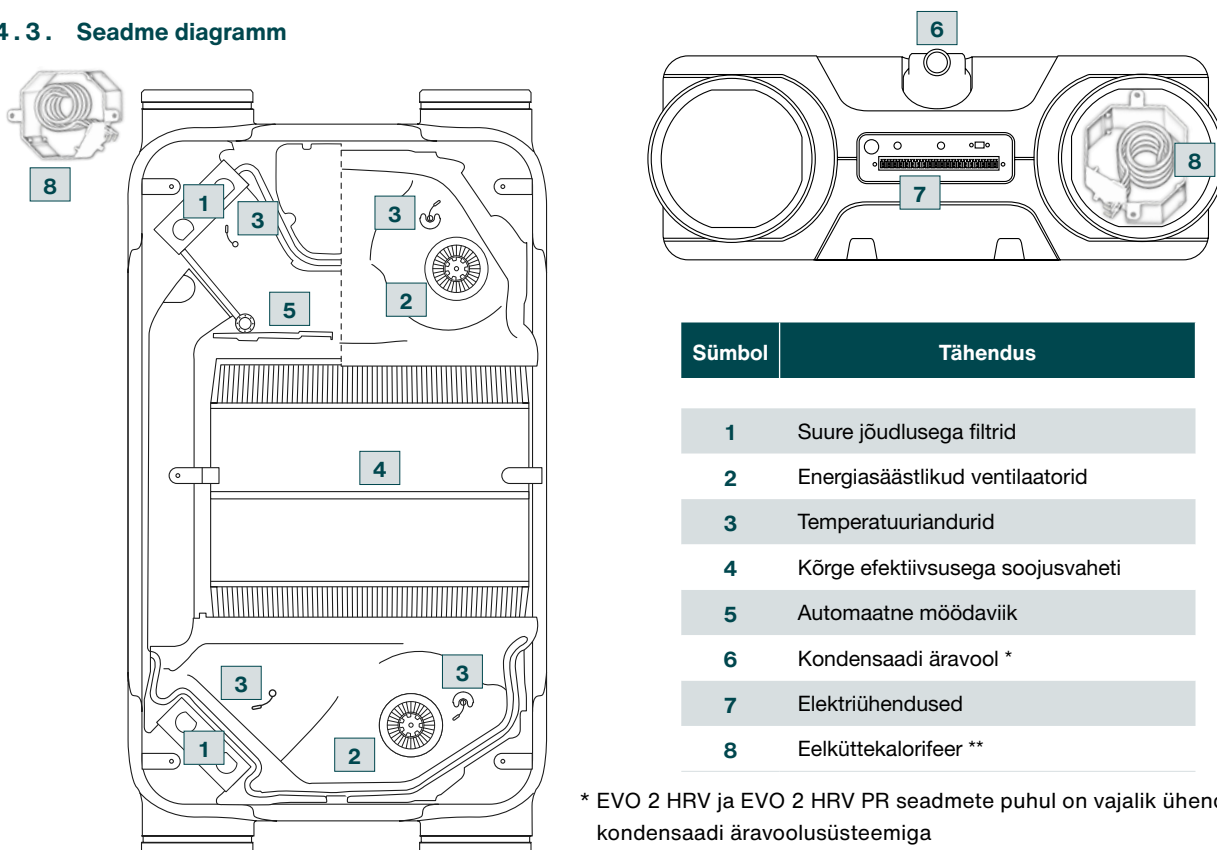
Vaadake vastavat jaotist.

TÄHELEPANU!

Mudeli muutmine paremakäelisest vasakukäeliseks ei ole võimalik järgmiste mudelite puhul:

EVO 2 HRV PR ja EVO 2 ERV PR






4.3. Seadme diagramm



* EVO 2 HRV ja EVO 2 HRV PR seadmete puhul on vajalik ühendus kondensaadi äravoolusüsteemiga

** Standardvarustuses ainult mudelitel EVO 2 HRV PR ja EVO 2 ERV PR

4.4. Tehnilised andmed

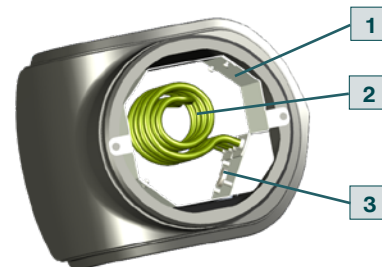
Zehnder EVO 2					
Mõõtmed (pikkus x laius x sügavus)	1000 x 600 x 210 mm				
Kaal	24 kg				
Paigaldamine	Horizontaalselt laes või vertikaalselt seinal (*)				
Paigalduskeskkonna temperatuurivahemik	10-45 °C				
Paigalduskeskkonna õhuniiskuse vahemik	< 90 % mittekondeenseeruv				
Kondensaadi äravooluühendus (Ø)	1/2"				
Õhuühenduste suurus (Ø)	Ø 160				
Võrgupinge	230 V / 50 Hz				
Maksimaalne õhuvooluhulk	200 m³/h / 55.56 l/s				
	Zehnder EVO 2 HRV		Zehnder EVO 2 ERV		
Standardsed filtrid	2x ISO Coarse 65% (G4) õhuvõtu ja väljatõmbe jaoks				
Valikulised filtrid	ISO ePM1 55% (F7) / ISO Coarse 65% (G4) õhuvõtu ja väljatõmbe jaoks				
Ventilatsioonirežiim					
ComfoSense S juhtpult	0	1	2	3	Võimendus
Ventilatsiooni õhuvooluhulk (m³/h)	30	75	100	150	200

(*) Seadme seinale paigaldamise võimaluste ja ettevaatusabinõude kohta vaadake vastavat jaotist

4.5. Elektrilise eelküttekalorifeeri mudelid EVO 2 HRV PR ja EVO 2 ERV PR

Elektriline eelküte on standardselt paigaldatud mudelite EVO 2 HRV PR ja EVO 2 ERV PR õhuvõtukanali külge. See suurendab sissetuleva õhu temperatuuri 10 °C võrra, kaitstes ventilatsiooniseadme soojusvahetit külmumise eest.

1. Kütteleemendid roostevabast terasest AISI304L
2. Võimsus 1 kW
3. Automaatne väljalülitus 40 °C juures takistab ülekuumenemist



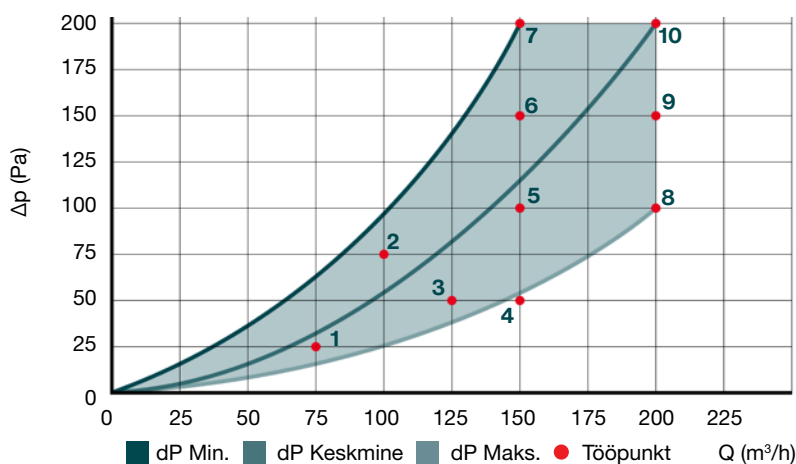
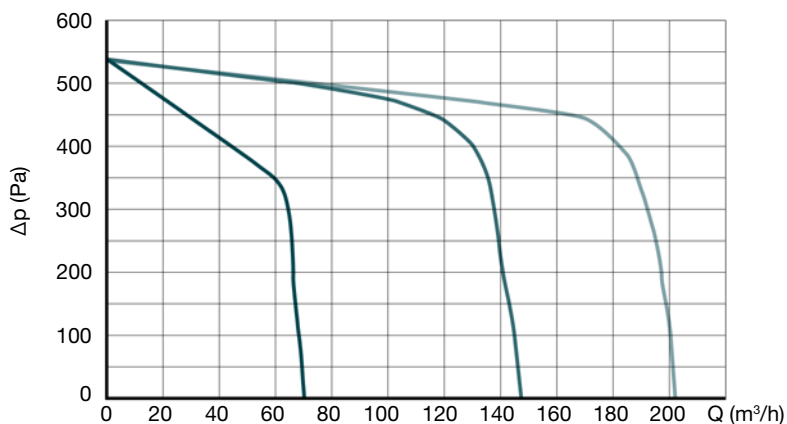
4.6. Energiatõhususe klassid

Energiatõhususe klassid vastavalt Euroopa Liidu määrusele nr 1254/2014.

Energiandmed		Energiandmed	
EL energiamärgis EVO 2 HRV jaoks		EL energiamärgis EVO 2 ERV jaoks	
Energiatõhususe klass	A+ **	Energiatõhususe klass	A+ **
Maksimaalne õhuvooluhulk [m³/h]	200	Maksimaalne õhuvooluhulk [m³/h]	200
Sertifitseeritud energiatõhusus	87%	Sertifitseeritud energiatõhusus	79%
Helivõimsuse tase Lw(A) dB(A)	49	Helivõimsuse tase Lw(A) dB(A)	49

** sõltuvalt valitud juhtpuldist/andurite tüübist.

4.7. Jõudlusgraafikud



- madal ventilaatori kiirus
- keskmine ventilaatori kiirus
- kõrge ventilaatori kiirus

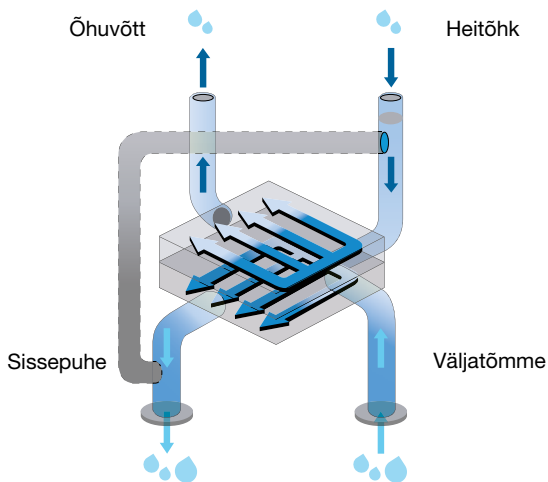
4.8. Tööpunktid

Tööpunktid				
Punkt	Õhuvooluhulk [m³/h]	Rõhk [Pa]	Võimsus [W]	SFP [W/l/s]
1	75	25	12.61	0.61
2	100	75	25.31	0.91
3	125	50	29.16	0.84
4	150	50	39.20	0.94
5	150	100	49.65	1.19
6	150	150	60.92	1.46
7	150	200	72.60	1.74
8	200	100	81.33	1.46
9	200	150	93.10	1.68
10	200	200	106.48	1.92

- EN
- DE
- IT
- ET**
- LT
- LV

Talvel tõmmatakse soe ja niiske õhk välja köögist ja vennitubadest. Soojusvaheti sees kohtub see õhk külma ja väga kuiva välisõhuga ning annab sellele soojust ja osa niiskusest edasi.

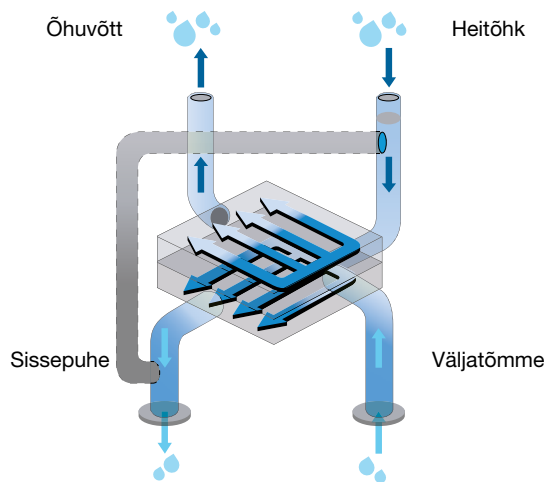
Talvine töörežiim



See tähendab, et välisõhk toimetatakse ruumi temperatuuri ja niiskusega, mis säilitavad kõrgeima sisemugavuse, ilma õhku liigselt kuivatamata.

Entalpiasoojusvaheti aitab küttesüsteemil hoida ideaalset õhutemperatuuri ka kõige külmema ilmaga.

Suvine töörežiim



Suvel tõmmatakse siseruumidest välja jahe, kuivatatud õhk. Soojusvaheti sees kohtub see kuuma, niiske välisõhuga, eeljahutades ja eelkuivatades seda.

Seega aitab ventilatsiooniseade aktiivsel jahutus- ja õhukuivatussüsteemil säilitada siseruumide mugavust väga madala energiakuluga.

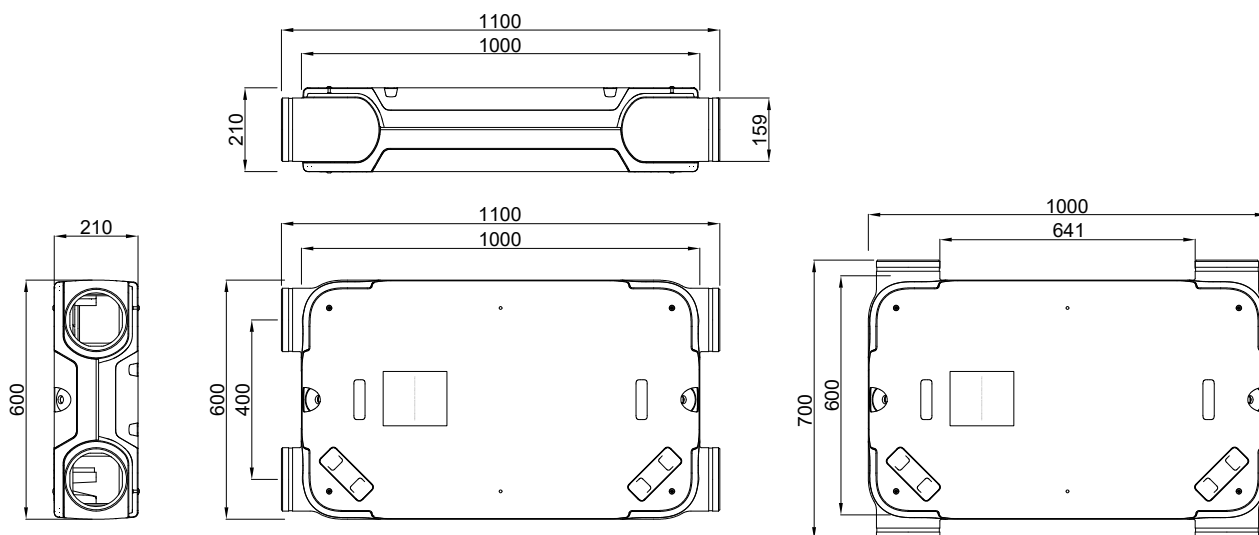
Entalpiasoojusvaheti töötab ideaalselt koostöös õhu järeltötlusseadmetega.

4.10. Akustilised andmed

		Helitasemed						
Tööpunkti õhuvooluhulk	m ³ /h	75	125	150	150	200	200	
Tööpunkti rõhukadu	Pa	25	50	50	100	150	200	
Helivõimsus L _w (A)	Korpuse müra	dB(A)	33	42	44	46	51	56
	Väljatõmbekanal	dB(A)	34	43	45	48	50	57
	Sisepuhkekanal	dB(A)	46	51	59	62	65	66
Helirõhk L _p (A) 1,5 m kaugusel	Korpuse müra	dB(A)	18	27	29	31	36	41

5. Paigaldamine

5.1. Mõõtmed



5.2. Esiõlgused hinnangud



Enne mis tahes paigaldusprotseduuri teostamist ühendage elektrivool lahti.



Veenduge, et seade ei puutuks kokku vee ega veepritsmetega.



Paigaldamise ajal hoidke lapsed ja lemmikloomad paigalduskohast eemal.



Veenduge, et seadme ümber, ees ja/või all oleks piisavalt ruumi hooldustöödeks.

Ventilatsiooniseadme korrektseks paigaldamiseks ilma seda kahjustamata on vaja kahte inimest.

Zehnder EVO 2 saab paigaldada otse seinale või lakke, kasutades kaasasolevaid kinnitusklambreid.

Müra leviku vältimiseks tuleb seade paigaldada seinale või lakke, mille tihedus on vähemalt 200 kg/m²; lihtsalt betoon- või metallkonstruktsioonist ei piisa. Sellisel juhul on vaja lisameetmeid, näiteks kahekordseid jäigastusplaate või lisakinnitusi.

Seade tuleb loodida vertikaalselt või horisontaalselt (sõltuvalt paigaldusasendist), et vältida ventilaatori vibratsiooni ja müra.

5.3. Paigaldamine



Ärge paigaldage seadet välitingimustesse. Kontrollige, et paigalduskeskkonna temperatuur ja niiskus oleksid alati lubatud töövahemikus.

Ventilatsiooniseadet võib paigaldada kas horisontaalselt (laekinnitustega) või vertikaalselt (seinakinnitustega).

Kui valitud seade on EVO 2 HRV või EVO 2 HRV PR, peab paigalduskohas olema tõhus kondensaadi äravoolusüsteem koos sifooniga ja piisava kaldega. Äravool peab olema alati takistusteta ja ei tohi külmakraadidega kinni jääda, et tagada kondensaadi pidev nõuetekohane äravool.



Veenduge, et kondensaadi äravoolu kaldenurk ei oleks paralleelne seadmega või selle suunas.

Kui valitud seade on EVO 2 ERV või EVO 2 ERV PR, ei ole kondensaadi äravool vajalik.

Paigalduskohas peab olema piisavalt ruumi nii tavapäraseks hoolduseks (filtrite vahetus) kui ka erakorraliseks hoolduseks (seadme avamine, soojusvaheti ja ventilaatorite eemaldamine ja puhastamine jne).

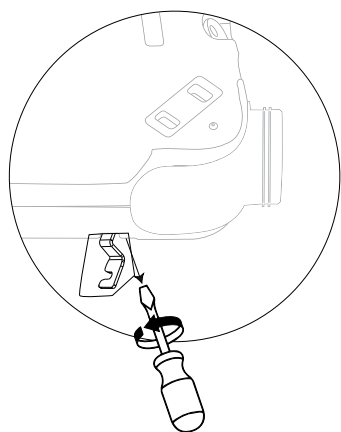


Seade on ette nähtud seinale või lakke paigaldamiseks. Seda EI TOHI paigaldada põrandale.

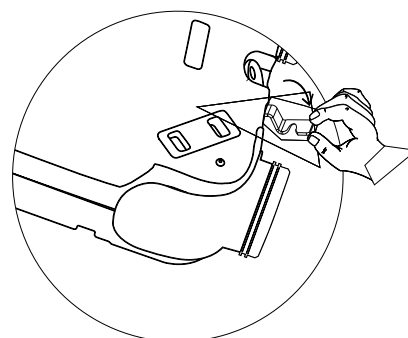
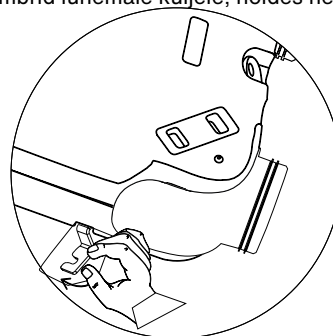
5.4. Lakke paigaldamine

1. Seade tarnitakse koos pikemale küljele eelpaigaldatud kinnitusklambritega. Nende liigutamiseks lühemale küljele toimige järgmiselt.

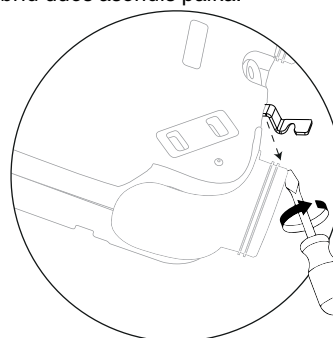
- Keerake klambrid lahti.



- Liigutage klambrid lühemale küljele, hoides neid samas asendis.

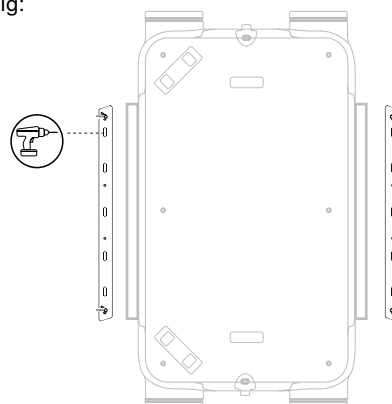


- Kruvige klambrid uues asendis paika.



2. Puurige paigalduspinnale märgistatud augud ja kruvige kinnitusklambrid ovaalsetesse aukudesse.

- Pikem külg:



EN

DE

IT

ET

LT

LV

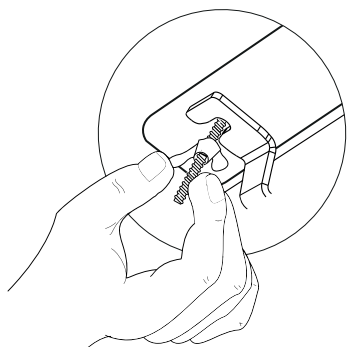
- Lühem külg:



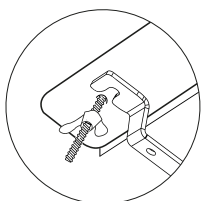
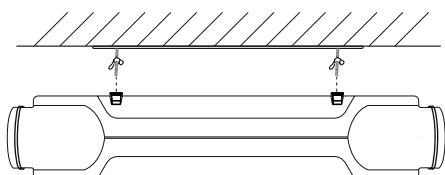
TÄHELEPANU!

Klambrid peavad olema pikkadel külgedel 630 mm (standardversioon) ja lühikestel külgedel 1035 mm kaugusel üksteisest.

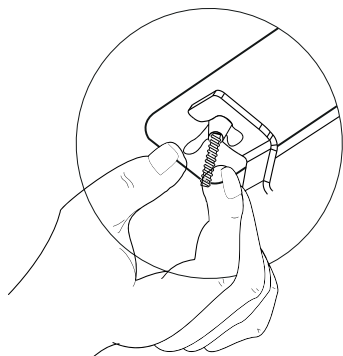
- Keerake tiibmutrid tagasi, kuni need on vaid 1 cm pikkuse keermega.



- Asetage seade juhiku ülaosale ja libistage seda mööda, kuni see haakub keermestatud latiga.



- Pingutage tiibmutrid uuesti kinni, et kinnitada seade klambri külge.



5.5. Seinale paigaldamine

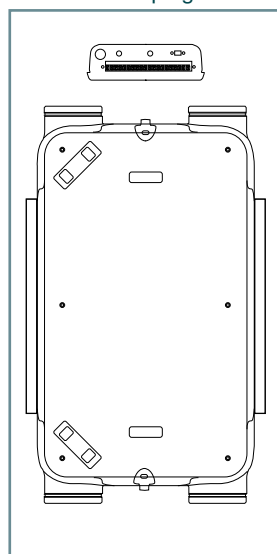


Seade tuleb paigaldada vertikaalselt ja loodida vertikaalsele tasapinnale, et tagada tõhus kondensaadi äravool.

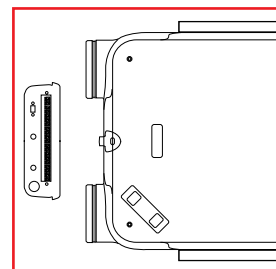
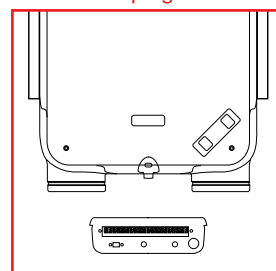


Paigaldage AINULT nii, et elektriühendused on suunatud ülespoole. Seadet ei saa paigaldada tagurpidi, elektriühendused allapoole.

Korrektne paigaldus

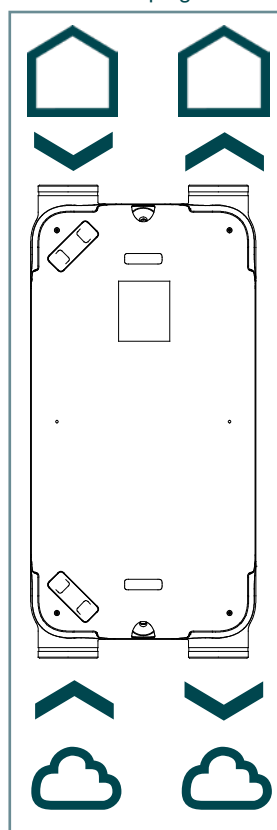


VALE paigaldus

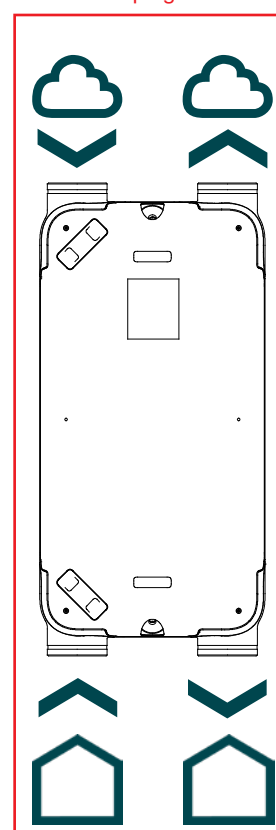


Paigaldage plaatsoojusvahetiga (HRV) seade vasakukäelises versioonis AINULT nii, et õhuvõtu ja heitõhu toruotsad on suunatud allapoole.

Korrektne paigaldus



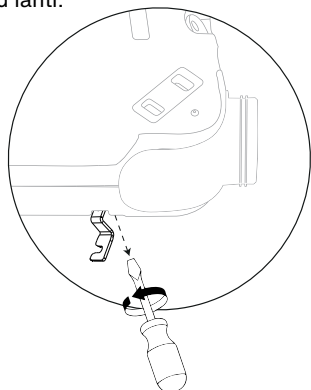
VALE paigaldus



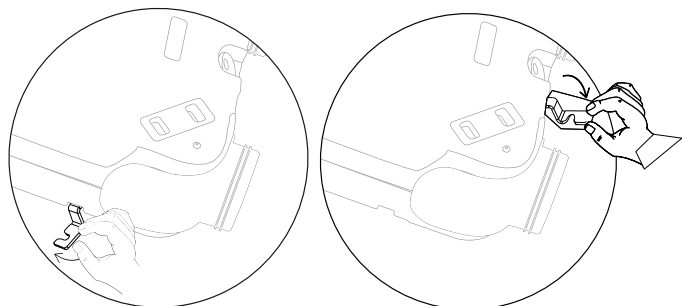
- EN
- DE
- IT
- ET**
- LT
- LV

1. Seade tarnitakse koos pikemale küljele eelpaigaldatud kinnitusklambritega. Nende liigutamiseks lühemale küljele toimige järgmiselt.

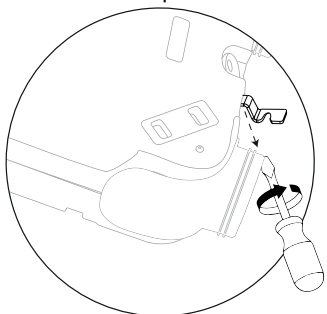
- Keerake klambrid lahti.



- Liigutage klambrid lühemale küljele, hoides neid samas asendis.

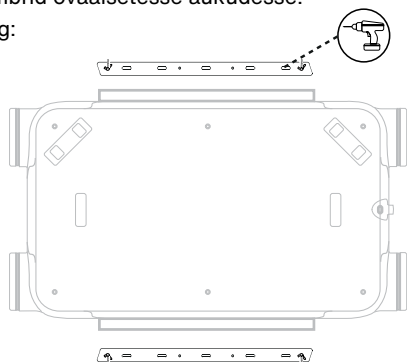


- Kruvige klambrid uues asendis paika.

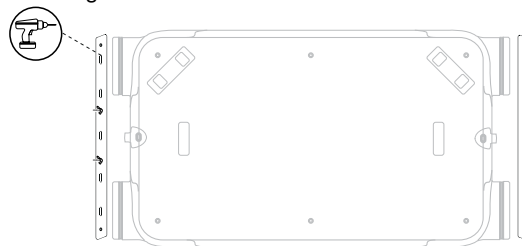


2. Puurige paigalduspinnale märgistatud augud ja kruvige kinnitusklambrid ovaalsetesse aukudesse.

- Pikem külg:



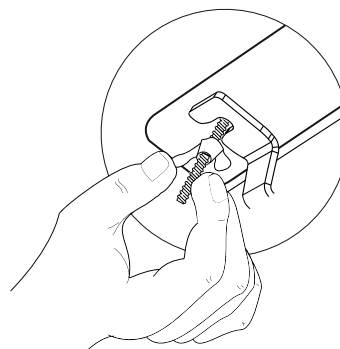
- Lühem külg:



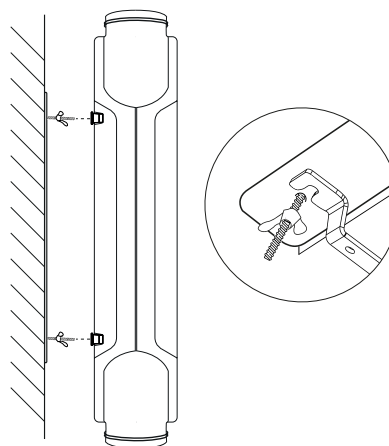
TÄHELEPANU!

Klambrid peavad olema pikkadel külgedel 630 mm (standardversioon) ja lühikestel külgedel 1035 mm kaugusel üksteisest.

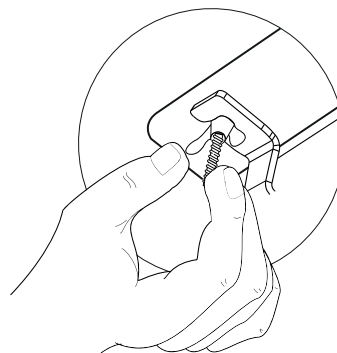
3. Keerake tiibmutrid tagasi, kuni need on vaid 1 cm pikkuse keermega.



4. Asetage seade juhiku ülaosale ja libistage seda mööda, kuni see haakub keerrestatud latiga.



5. Pingutage tiibmutrid uuesti kinni, et kinnitada seade klambri külge.



EN

DE

IT

ET

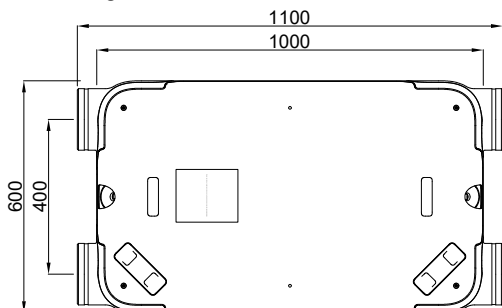
LT

LV

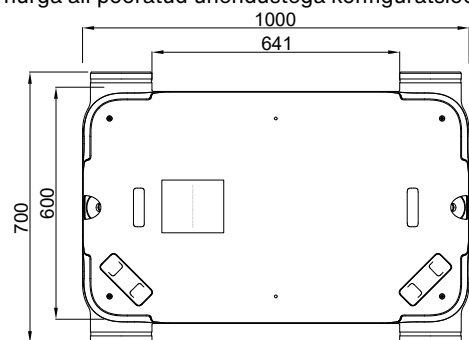
5.6. Ühenduste paigutamine

Õhuühenduste suuna muutmise protseduur on näidatud allpool.

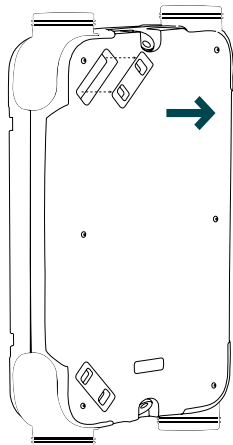
- Vaikimisi konfiguratsioon



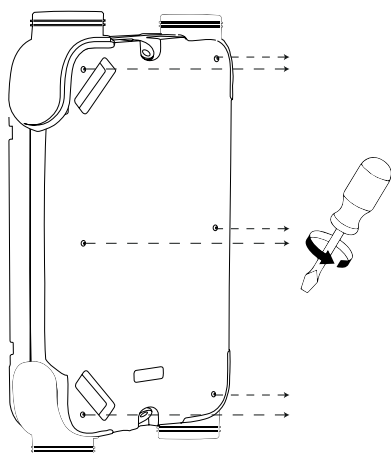
- 90° nurga all pööratud ühendustega konfiguratsioon:



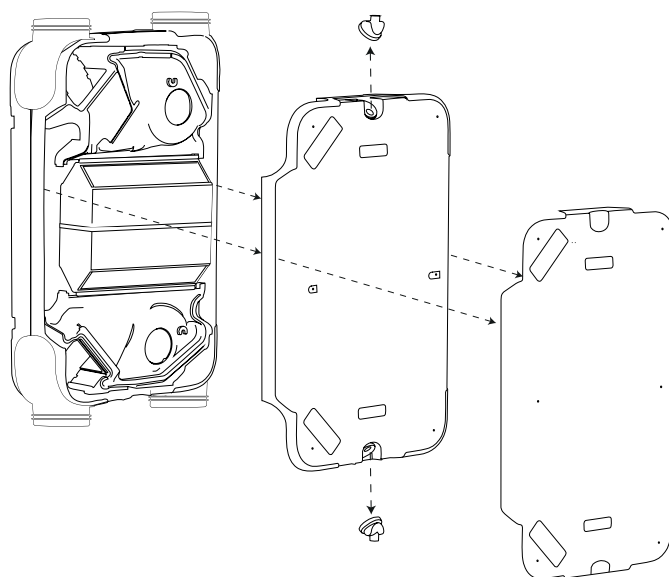
1. Eemaldage filtrikatted



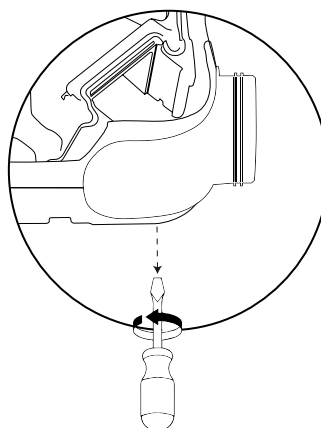
2. Keerake lahti kaane välimised kruvid



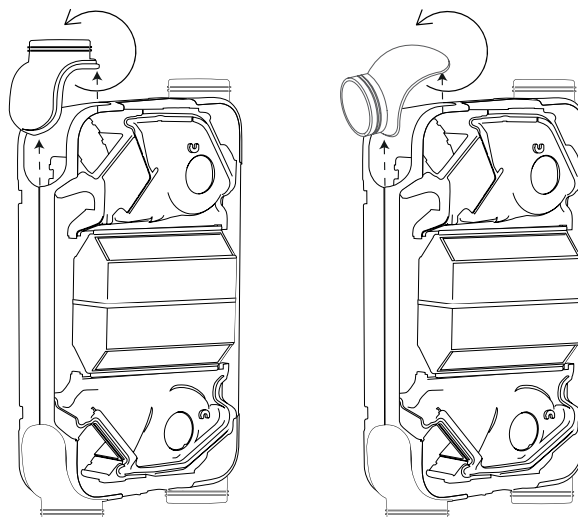
3. Eemaldage välimine metallkate ja polüpropüleenist korpuse osa, avades seadme sisemuse



4. Keerake lahti EPP-ühenduste kinnituskruvid



5. Tõstke ja keerake õhuühendusi, pöörake neid ja asetage need tagasi oma kohale



EN

DE

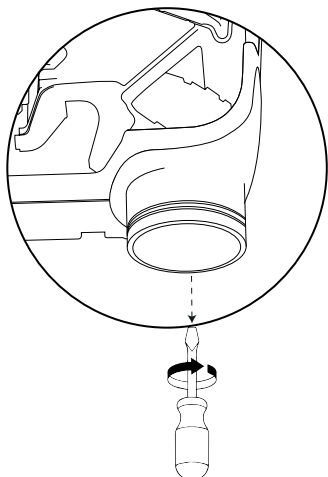
IT

ET

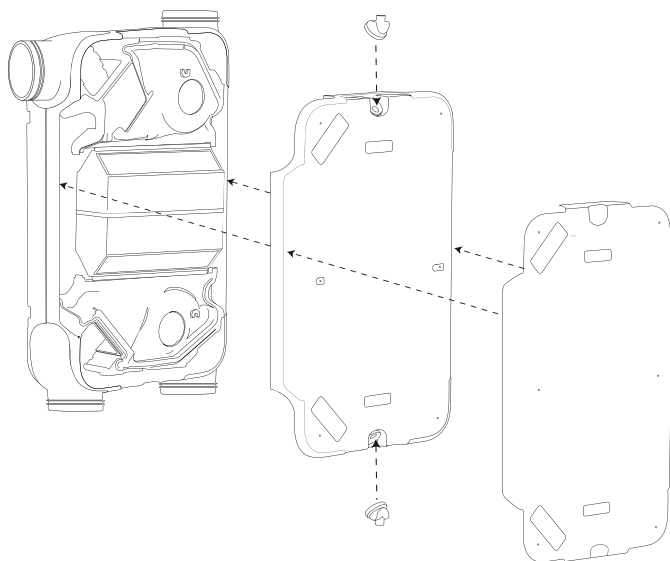
LT

LV

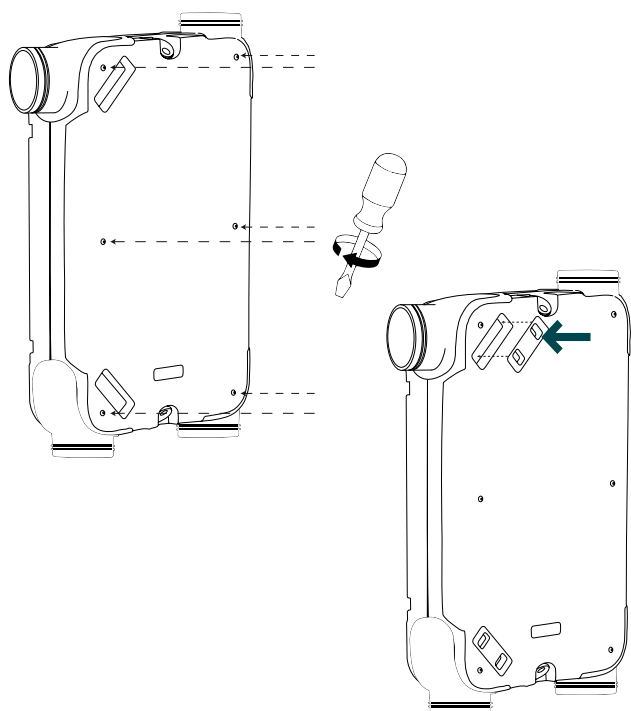
6. Keerake ühenduskruvid uuesti kinni



7. Asetage polüpropüleenist korpuse osa ja metallkate tagasi



8. Keerake kruvid uuesti kinni ja paigaldage filtrikatted



5.7. Kondensaadi äravoolu ühendamine

Zehnder EVO 2 HRV ja Zehnder EVO 2 HRV PR seadmed peavad olema varustatud kondensaadi äravoolusüsteemiga. EVO 2 ERV ja EVO 2 ERV PR seadmete puhul ei ole see vajalik. Kravige 1/2" väliskeermega sifoon (ei kuulu tarnekomplekti, tuleb eraldi tellida) seadme kondensaadi äravoolu liitmiku külge.

Korrektseks hoolduseks paigaldage sifoon nii, et seda oleks võimalik hõlpsasti eemaldada ja kontrollida.

Seadme kondensaadi äravooluühendus võib olla suunatud horisontaalselt või allapoole.



Veenduge, et kondensaadi äravoolu kaldenurk ei oleks paralleelne seadmega või selle suunas.

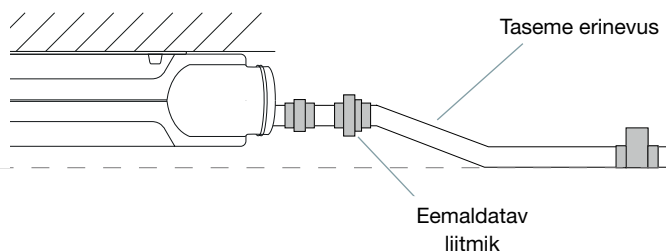
Tähelepanu!

Seadmetes EVO HRV ja EVO HRV PR ühendatakse ainult üks kondensaadi äravool, teine peab olema suletud.

Seadmetes EVO ERV ja EVO ERV PR peavad mõlemad kondensaadi äravoolud olema suletud.

Korgid on kaasas.

Juhised horisontaalselt paigaldatud EVO seadme kondensaadi äravoolu paigaldamiseks on toodud allpool:



Kui seade on paigaldatud horisontaalselt lakke, peab kondensaadi äravool olema seadme enda tasemest madalamal.

HOIATUS!

Garantii kehtib tingimusel, et on paigaldatud Zehnderi originaal kuivsifoon ja kondensatsiooni äravoolusüsteem on õigesti ehitatud. Vastasel juhul loeb Zehnder end vabastatuks igasugusest vastutusest seadme kahjustuste korral.

EN

DE

IT

ET

LT

LV

6. Elektriühendused

Ühendus vooluvõrguga peab olema teostatud vastavalt regulatiivsetele standarditele.

Ventilaatorid ja elektroonikaplaad töötavad 230 V toitepingel.

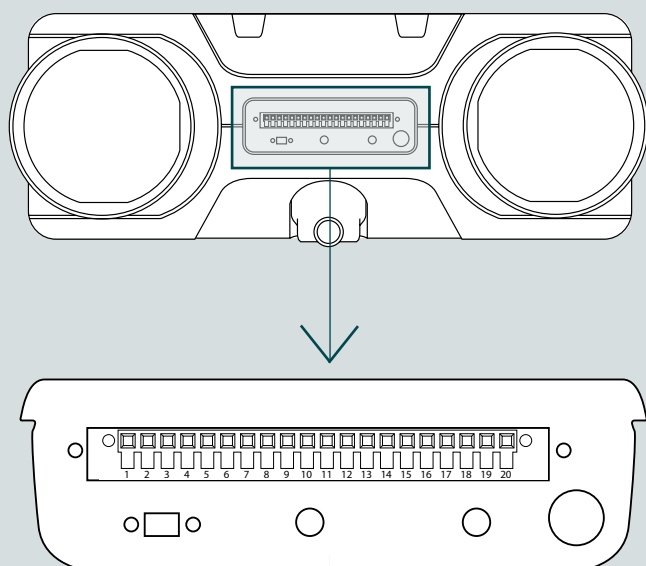


Kõikide seadmega seotud tööde, paigaldamise või hoolduse ajaks tuleb seade vooluvõrgust lahti ühendada.

Juhtmestiku värvide selgitus

Pruun	Faas
Sinine	Neutraal
Roheline/kollane	Maandus

Integreeritud elektroonikaplaad



Integreeritud elektroonikaplaad

Pistikute kirjeldus		
Ühendus	Kirjeldus	Elektroonika plaat
PIN 1	Koduautomaatika - 10 V	X-26
PIN 2	Koduautomaatika - 0 V	X-26
PIN 3	Koduautomaatika - kuiv kontakt	X-25
PIN 4	Koduautomaatika - kuiv kontakt	X-25
PIN 5	Ei kasutata	-
PIN 6	Ei kasutata	-
PIN 7	Järelküttekalorifeeri 10 V väljund (*)	X-16
PIN 8	Järelküttekalorifeeri 0 V väljund (*)	X-16
PIN 9	Vasakukäeline versioon NO/NC (**)	X-32
PIN 10	Vasakukäeline versioon NO/NC (**)	X-32
PIN 11	Ei kasutata	-
PIN 12	Valikulüliti (kiiruse lüliti) V1	X-510
PIN 13	Valikulüliti (kiiruse lüliti) V2	X-510
PIN 14	Valikulüliti (kiiruse lüliti) V3	X-510
PIN 15	Eelküttekalorifeeri 230 V väljund (**)	X-17
PIN 16	Eelküttekalorifeeri maandusväljund (**)	X-17
PIN 17	Eelküttekalorifeeri neutraalne väljund (**)	X-17
PIN 18	Ei kasutata	X-28
PIN 19	Ei kasutata	X-28
PIN 20	Ei kasutata	X-28

(*) Klemmi ei kasutata mudelite Zehnder EVO 2 HRV PR ja

Zehnder EVO 2 ERV PR puhul

(**) Mudelite puhul, mille standardvarustuses on eelküttekalorifeer, kasutatakse neid klemme järelküttekalorifeeri jaoks (valikuline), mitte eelküttekalorifeeri jaoks.

EN

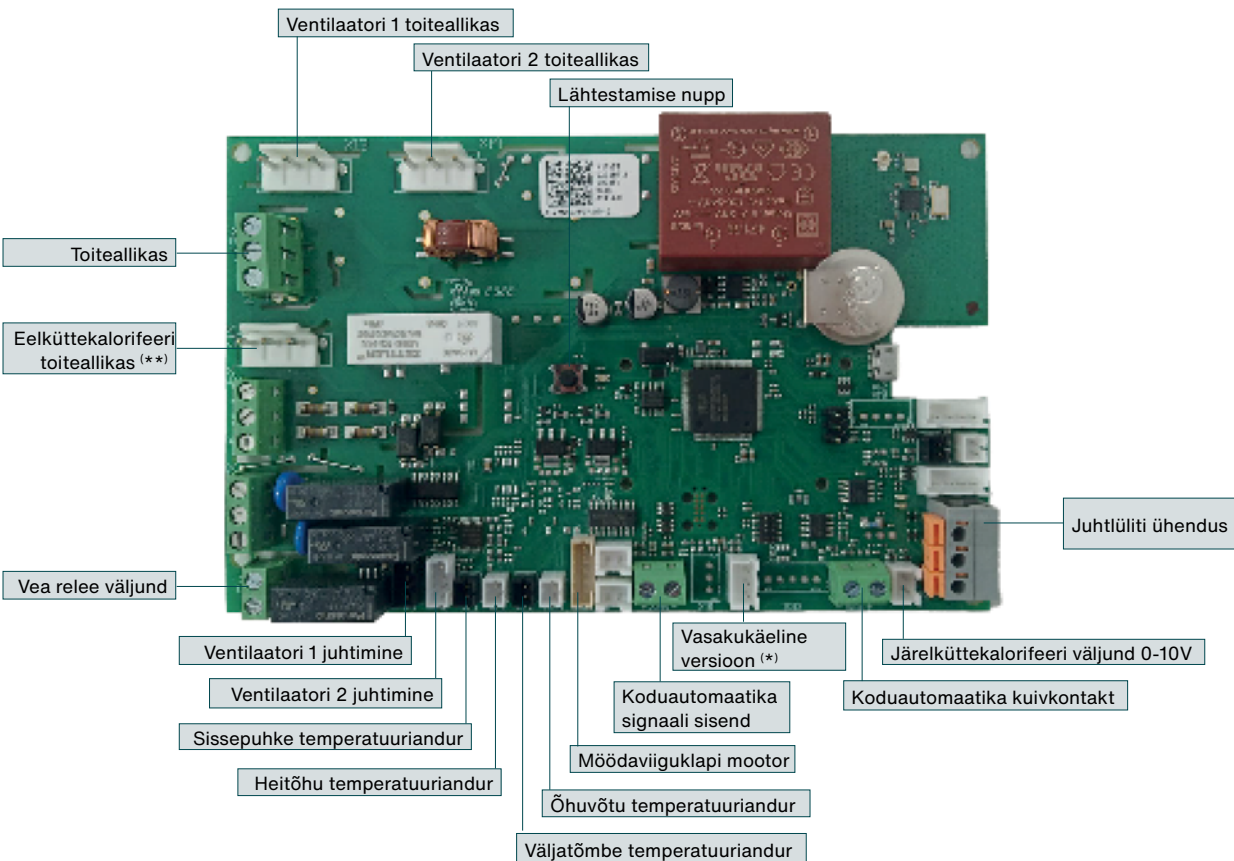
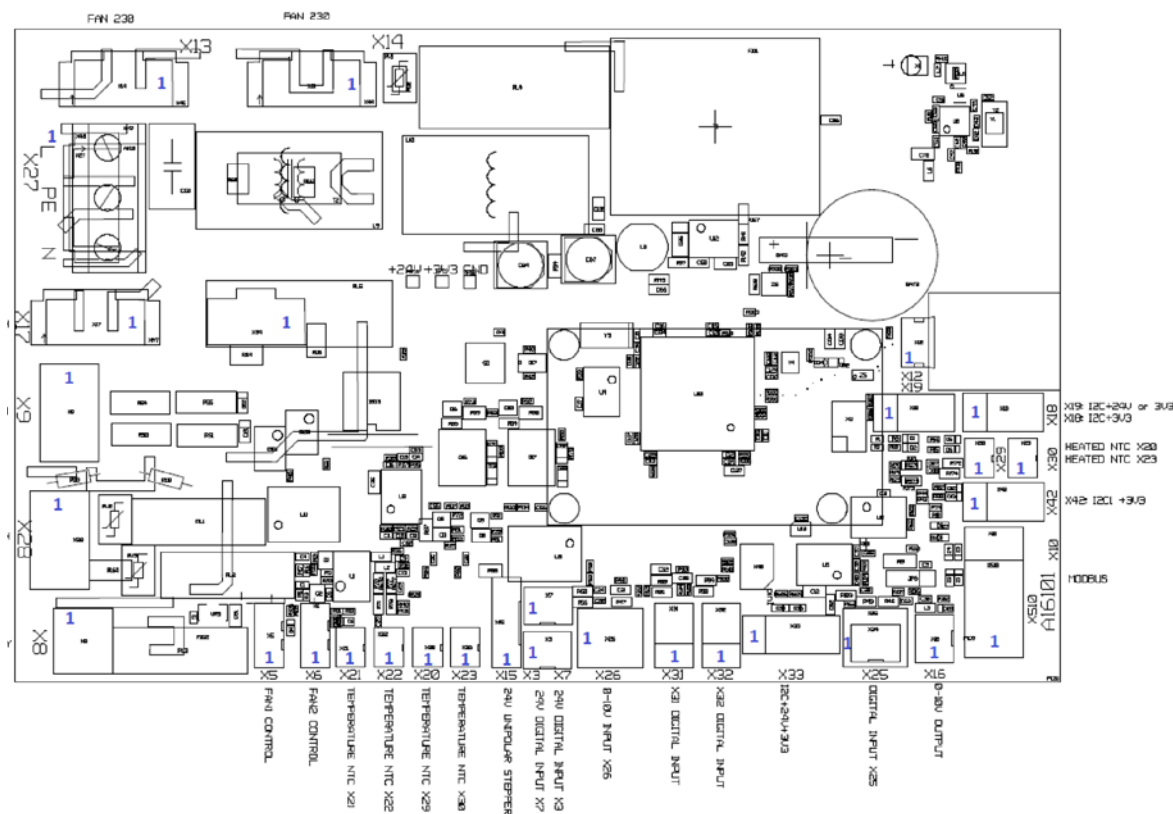
DE

IT

ET

LT

LV



(*) Klemmi ei kasutata mudelite Zehnder EVO 2 HRV PR ja Zehnder EVO 2 ERV PR puhul.

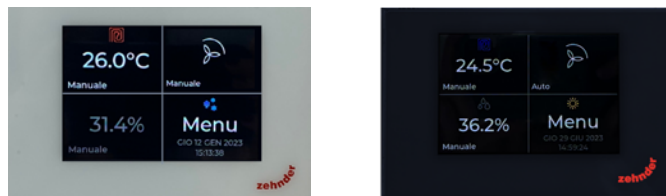
(**) Kasutatakse järelküttekalorifeeri puhul mudelites Zehnder EVO 2 HRV PR ja EVO 2 ERV PR.

- EN
- DE
- IT
- ET
- LT
- LV

7. Juhtimisseadmed ja ühendatavus

Zehnderi EVO-seeria seadmeid võib jälgida ja juhtida mitmel viisil. Järgnevalt on esitatud loetelu saadaolevatest tarvikutest.

7.1. Zehnder Multi Control



Zehnder EVO seadmeid saab juhtida Zehnder Multi Controli kaudu, mis võimaldab kombinatsiooni Zehnder ComfoDew või Zehnder ComfoPost järeltöötlussüsteemidega.

Ventilatsiooniseade võtab vaikumisi minimaalse ventilaatori kiiruse. Multi Control aktiveerib selles sisalduvate releede kaudu teise ja kolmanda ventilaatori kiiruse, kui kasutaja seda valib või kui see on vajalik lisaseadmetest saadud sisendi saavutamiseks.

Multi Controli abil saab kasutaja valida käsitsi või automaatselt töörežiimi, kirjutada iganädalasi ajaprogramme ja vaadata filtrivahetuse teateid.



Kui lisaks Multi Controlile on seadme jälgimiseks ja juhtimiseks ühendatud mõni muu juhtpult, näiteks Zehnder EVO Sense, tuleb teine juhtpult jätta kogu aeg käsirežiimile ja ventilaatori kiirusele 1. Vastasel juhul ei tööta Multi Control õigesti.



Zehnder Multi Controli saab ühendada rakendusega Zehnder Multi Controller, mis jälgib ja juhib ventilatsiooniseadet.

7.2. Zehnder EVO Sense juhtmevaba



Juhtmevaba nutikas juhtimisseade EVO Sense suhtleb ventilatsiooniseadmega raadiosageduse (RF) kaudu ja võimaldab valida viis erinevat õhuvooluhulka. Samuti võimaldab see kasutajatel kirjutada päevaseid ja iganädalasi ajaprogramme ning määrata automaatse töörežiimi.

See on nutikas kasutaja- ja paigaldusliides ühendatud ventilatsiooniseadme jälgimiseks ja seadistamiseks.

7.3. Zehnder EVO Switch



EVO Switch 4-seadistusega juhtmevaba juhtpult suhtleb ventilatsiooniseadmega RF (raadiosageduse) kaudu ning annab võimaluse valida nelja erineva töörežiimi vahel. Sellel on filtrivahetuse teate indikaator.

7.4. Zehnder EVO CO₂-andur



Juhtmeta CO₂-andur jälgib süsihappegaasi taset ruumis, kuhu see asetatakse, ja saadab oma näidud RF (raadiosageduse) kaudu Zehnder EVO seadmesse. Seade muudab vastavalt oma õhuvooluhulka, valides anduri saadetud andmete põhjal õige taseme, et tagada siseõhu kvaliteet.

7.5. Zehnder EVO niiskusandur



Juhtmevaba andur jälgib õhu suhtelist niiskust ruumis, kuhu see on paigutatud, ja saadab oma näidud RF (raadiosageduse) kaudu Zehnder EVO seadmele. Seade muudab vastavalt oma ventileerimise õhuvooluhulka, valides anduri saadetud andmete põhjal siseõhu kvaliteedi tagamiseks õige kiiruse.

EN

DE

IT

ET

LT

LV

7.6. Targa kodu ühenduvus

Erinevate liideste abil saate muuta oma kodu nutikoduks:

- EVO Connect ModBus
- EVO Connect Modbus-KNX

7.6.1. Zehnder EVO Connect ModBus

Lisamoodul EVO Connect ModBus on juhtmega ühendatav hooneautomaatikaga (BMS) ja seda kasutatakse ModBusi kaudu EVO ventilatsiooniseadme ja kõigi ühendatud andurite (suhteline õhuniiskus/CO₂) ja juhtmevabade juhtpultide (EVO Sense/EVO Switch) andmete lugemiseks ja sisestamiseks.

See suhtleb EVO seadmega raadiosageduse kaudu.



EVO Connect ModBus vajab korrektseks tööks 24 V AC/DC toiteallikat.



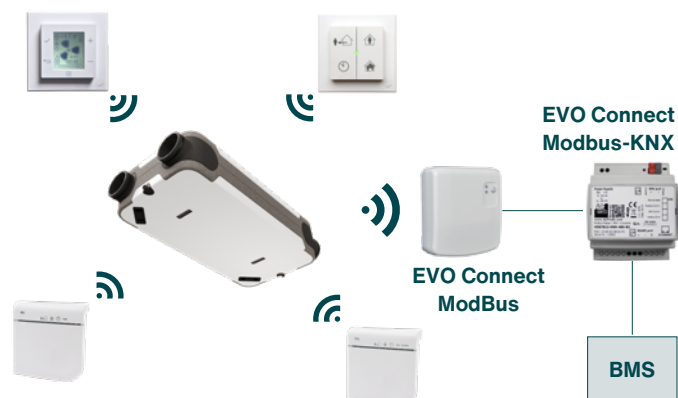
7.6.2. Zehnder EVO Connect Modbus - KNX

Seade EVO Connect ModBus-KNX on ModBus/KNX-muundur, mis on ette nähtud EVO Connect KNX-liidese ühendamiseks, et tõlkida liidese poolt kogutud andmed ja saata need juhtmega BMS-ile.

See kogub andmeid EVO-seadmetelt ja ühendatud anduritelt (suhteline niiskus/CO₂) ja juhtmevabalt juhtpuldilt (EVO Sense/EVO Switch).



EVO Connect ModBus-KNX vajab korrektseks tööks 24 V AC/DC toiteallikat.



EN

DE

IT

ET

LT

LV

8. Kasutuselevõtt

Ventilatsiooniseadme võib kohe pärast paigaldamist kasutusele võtta. Toimige järgmiselt.

- Enne alustamist lugege läbi kasutuselevõtu juhised.
- Sulgege kõik aknad ning välis- ja siseuksed.
- Kontrollige, et kõik plafoonid on õigesti paigaldatud ja reguleerige need avatud asendisse.
- Veenduge, et kõik ventilatsiooniseadme ja plafoonide filtrid on puhtad. Määratud filtrid võivad eksitada baasseadistuse tulemust.
- Seadke ventilatsiooniseade ventilaatori kiirusele 3. Automaatne režiim ei tohi olla aktiveeritud.
- Veenduge, et uste all olevad vahed või siirdeõhuretid oleksid takistusteta ja võimaldaksid õhul vabalt liikuda. Need peavad jääma selliseks kogu järgneva ventilatsiooniseadme töö ajal.
- Alustage plafoonide reguleerimist, alustades plafoonist, mis saab kõige väiksema õhuvoolu (tavaliselt ventilatsiooniseadmest kõige kaugemal asuv plafoon). Kasutage kalibreeritud mõõtevahendit, et seadistada iga plafooni nõutav nominaalne õhuvool.
- Energiatarbimise minimeerimiseks veenduge, et üks sissepuhke plafoon ja väljatõmbe plafoon oleksid täielikult avatud.
- Korrake reguleerimist, kuni kõik plafoonid on seadistatud nõutavale õhuvooluhulgale.
- Kui õhuvooluhulka ei ole võimalik seadistada kiiruste abil saavutada, võib ventilaatori pöörlemissagedust reguleerida vastavalt vajalikule õhuvooluhulgale.

9. Toimimine

Seade tarnitakse elektrivõrku ühendamise valmidusega ja selle töö on täiesti automaatne. Siseroomidest väljatõmmatav soe õhk annab soojusenergiat värskete välisõhule üle. Värske, puhas õhk jõuab kodu siseroomidesse eeltöödeldud temperatuuril, suvel jahedana ja talvel soojana, mis tagab märkimisväärse energiasäästu.

Sõltuvalt kasutatava juhtimissüsteemi tüübist on võimalik kasutada kuni viit ventilatsiooni õhuvooluhulka.

Seade hoiab pidevalt konstantset õhuvooluhulka, mis tähendab, et ette antud sissepuhke ja väljatõmbe õhuvooluhulk tagatakse sõltumata torustiku rõhulangust.

9.1. Mõõdaviigu tööpõhimõte

Standardvarustuses olev mõõdaviik võimaldab välisõhku otse soojusvahetist mööda juhtida, et kasutada madalaid välisõhu temperatuure teatud aegadel, näiteks suvel öösel, vabajahutuseks. Mõõdaviik lülitub automaatselt välja, kui on täidetud teatavad tingimused, nagu on näidatud allpool esitatud tabelis.

Mõõdaviigu tööpõhimõte	
Mõõdaviik avatud	<ul style="list-style-type: none"> ▪ Välistemperatuur on üle 10 °C. ▪ Suvel on välistemperatuur 3 °C madalam kui kodust väljatõmmatava õhu temperatuur ja madalam kui mugavustemperatuur. ▪ Talvel on välistemperatuur 3 °C kõrgem kui kodust väljatõmmatava õhu temperatuur ja kõrgem kui mugavustemperatuur.
Mõõdaviik suletud	<ul style="list-style-type: none"> ▪ Välistemperatuur on alla 10 °C. ▪ Suvel on välistemperatuur kõrgem kui kodust väljatõmmatava õhu temperatuur ja kõrgem kui mugavustemperatuur. ▪ Talvel on välistemperatuur madalam kui kodust väljatõmmatava õhu temperatuur ja madalam kui mugavustemperatuur.

HOIATUS!

Zehnder EVO seade tuvastab automaatselt hetke hooaja.

9.2. Külmakaitse kaitseade

Et vältida jää teket soojusvahetis, kui välistemperatuur on väga madal, on Zehnder EVO varustatud külmakaitsega.

Andurid mõõdavad temperatuuri soojusvahetis ja vajadusel vähendatakse sissepuhke õhuvooluhulga osakaalu.

Kui temperatuur jõuab ilma eelkütteta mudelites Zehnder EVO 2 HRV ja Zehnder EVO 2 ERV -2 °C või eelküttetega mudelites Zehnder EVO 2 HRV PR ja Zehnder EVO 2 ERV PR -16 °C, lülitub seade välja, et vältida soojusvaheti kahjustamist, kontrollides kord tunnis, kas temperatuur on taastunud ohutule tasemele.

EN

DE

IT

ET

LT

LV

10. Hooldusprotseduur



Tehke regulaarselt kõiki selles jaotises loetletud ennetavaid hooldusprotseduure. Kui ennetavaid hooldustoiminguid ei tehta regulaarselt, väheneb ventilatsioonisüsteemi jõudlus.



Enne hoolduse alustamist laske ventilatsiooniseadmel kaks minutit töötada ventilaatori kiirusel 3, et eemaldada soojusvahetist kondensaati.



Kui mõni komponent tuleb välja vahetada, tellige Zehnderilt originaalvaruosa ja laske kõik tööd teha Zehnderi volitatud spetsialistil.



Kõik hooldused, välja arvatud filtri vahetamine, peavad tegema koolitatud tehnikud.



Enne hooldustööde alustamist ühendage ventilatsiooniseade alati vooluvõrgust lahti, kui ei ole ette nähtud teisiti. Kui seadet käitatakse avatud olekus, on reaalne vigastuste oht. Veenduge, et seadet ei saa kogemata käivitada.



Võtke elektroonikaga töötamisel tarvitusele sobivad meetmed elektrostaatiliste laengute vältimiseks, sest elektrostaatiline elekter võib neid parandamatult kahjustada.

10.1. Õhufiltri hooldus

Seda hooldustoimingut võib kasutaja ise teostada.

Filtreid tuleks kontrollida iga kolme kuu tagant. Jämeda mustuse (putukad, väikesed taimeosad jne) korral võib need tolmuimejaga puhastada ja seadmesse tagasi panna.

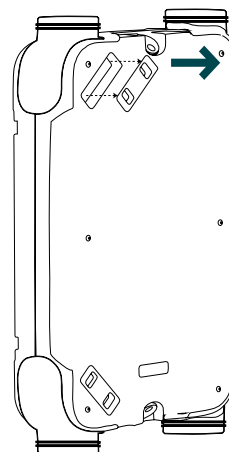
Filtreid tuleb vahetada vähemalt iga kuue kuu tagant. Hankige asendusfiltrid eelnevalt ja veenduge, et need on Zehnderi originaalfiltrid.

HOIATUS!

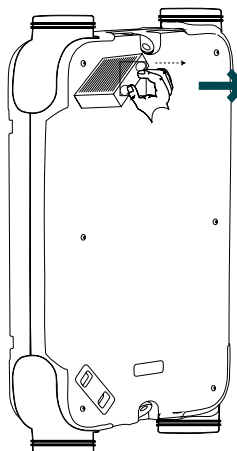
Zehnder EVO seadet ei tohi kunagi kasutada ilma filtriteta.

1. Kui kasutatakse EVO Sense kaugjuhtimispulti, käivitage filtrite vahetamise protseduur juhtimispuldil. Muul juhul lülitage seade välja. Kui seade on ühendatud EVO Switch või Multi Control juhtpuldiga, ärge unustage pärast protseduuri lõppu filtrivahetuse teate lähtestamist.

2. Eemaldage filtrikatted.



3. Eemaldage määrdundud filtrid ettevaatlikult, kasutades selleks ette nähtud särke. Kui kaks filtrit ei ole samad, pange tähele nende asukohti: ISO ePM1 filter on paigaldatud õhuvõtu ava juurde ja ISO Coarse filter on paigaldatud väljatõmbeõhu juurde.



EN

DE

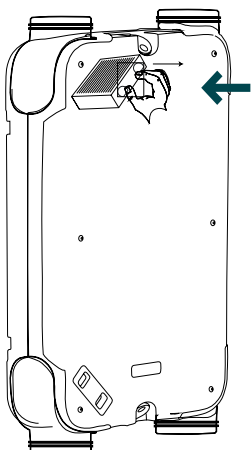
IT

ET

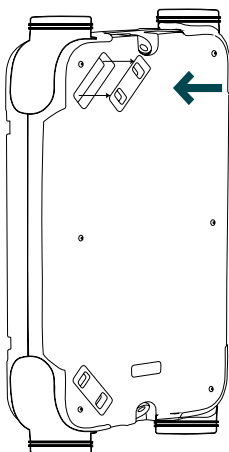
LT

LV

4. Paigaldage uued filtrid oma pesadesse, paigutades need punktis 3 kirjeldatud viisil.




5. Asetage filtrite katted tagasi oma kohale.



6. Lõpetage filtri vahetamise protseduur või taaskäivitage seade.

 Kui seadme filtrid on vahetatud, puhastage ka toas plafoonide taga olevad ning välisrestide filtrid.

 Utiliseerige määratud filter kui mittetaaskasutatav jäätmematerjal.

10.2. Ventilatsiooniseadme puhastamine

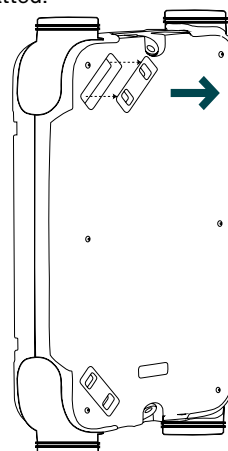
Kõiki EVO-seadme sisemisi komponente (soojusvaheti, ventilaatorid jne) tuleb kontrollida ja puhastada iga kahe aasta tagant.

HOIATUS!

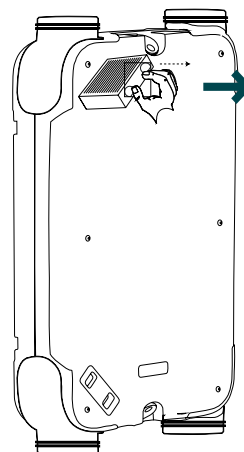
Seda hooldustööd tohib teostada ainult Zehnderi volitatud, kvalifitseeritud tehnik. Võtke ühendust Zehnderi tehnilise toega

1. Ühendage seade vooluvõrgust lahti.

2. Eemaldage filtrikatted.



3. Eemaldage filtrid ettevaatlikult, kasutades selleks ette nähtud sakke. Kui kaks filtrit ei ole samad, pange tähele nende asukohti: ISO ePM1 filter on paigaldatud õhuvõtu ava juurde ja ISO Coarse filter on paigaldatud väljatõmbeõhu juurde.



EN

DE

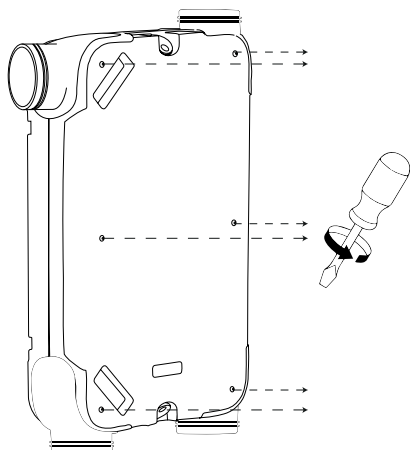
IT

ET

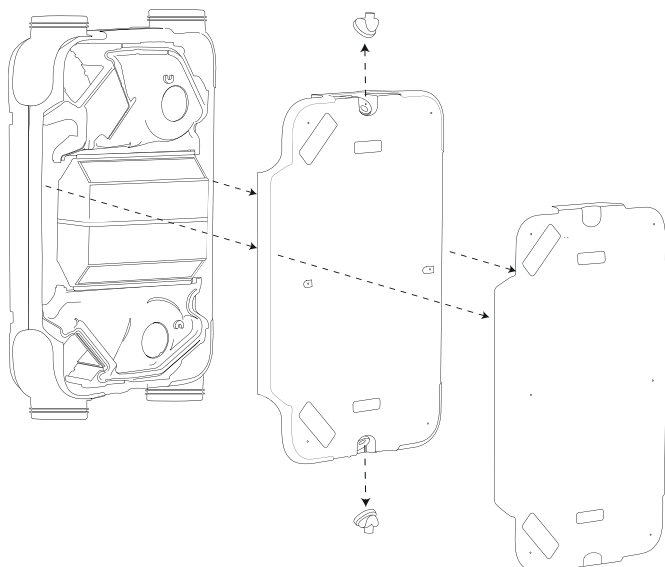
LT

LV

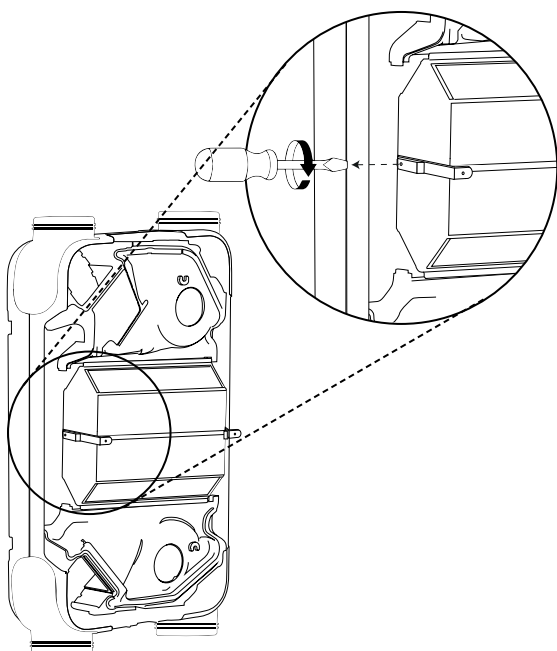
4. Eemaldage välise metallkate kruvid.



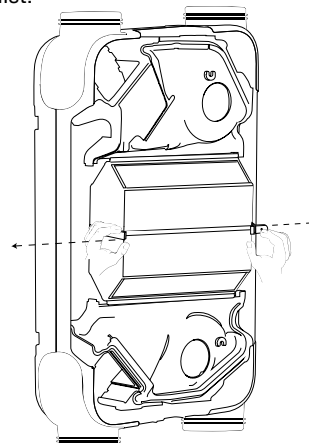
5. Eemaldage metallkate ja polüpropüleenist korpus, paljastades soojusvaheti, ventilaatorid ja möödaviigukanali.



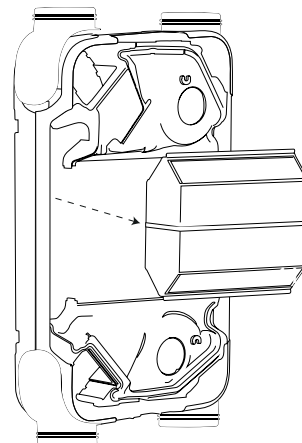
6. Keerake lahti ja eemaldage vasakpoolne kinnitusklamber.



7. Eemaldage soojusvahetit hoidvad klambrid, mis võimaldavad selle eemaldamist.

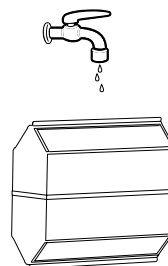


8. Eemaldage soojusvaheti.



Eemaldage soojusvaheti eriti ettevaatlikult. Soojusvaheti sees võib olla veidi kondensaati.

9. Puhastage soojusvaheti voolava vee all.



10. Kontrollige, et seadme nähtav sisemus oleks puhas: soojusvaheti ruum, möödaviigukanal, polüpropüleenist osad. Puhastage vajadusel pehme lapiga.

11. Puhastage ventilaatorid harjaga varustatud tolmuimejaga ja kontrollige, et need ei oleks kahjustatud. Kui on, vahetage need välja.

EN

DE

IT

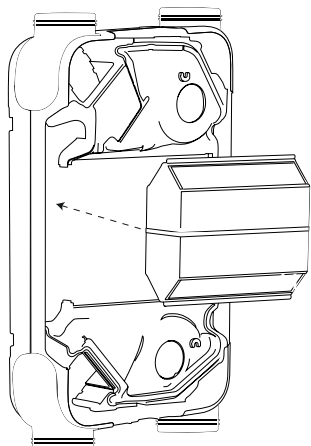
ET

LT

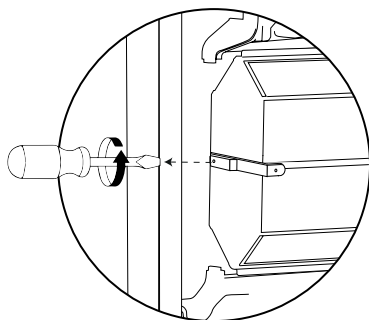
LV

12. Kui puhastusprotseduurid on lõpetatud, monteerige seade uuesti kokku.

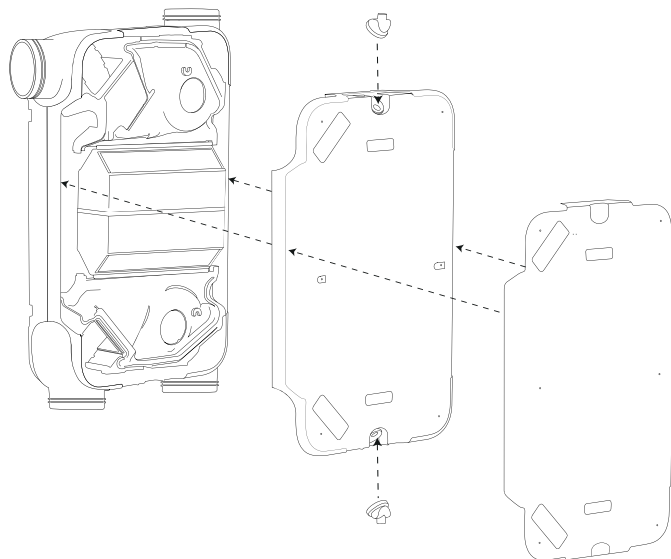
13. Pange soojusvaheti tagasi oma kohale.



14. Asetage vasakpoolne klamber tagasi ja keerake kruvi uuesti kinni.

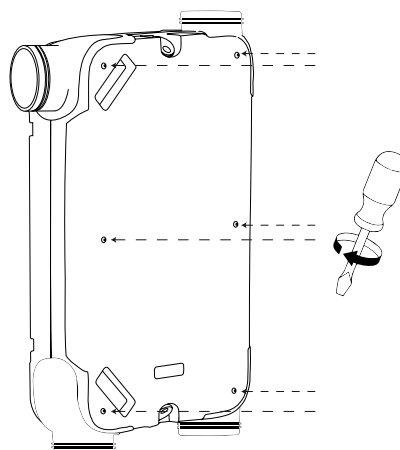


15. Asetage polüpropüleenist korpuse osa ja metallist kate tagasi.

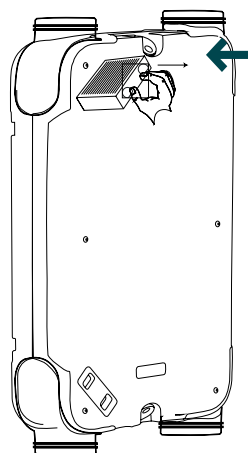


Veenduge, et polüpropüleenist korpuse osa oleks täpselt joondatud põhja suhtes, ilma et külgedel oleks vahesid. Vastasel juhul kontrollige, et juhtmed oleksid õigesti paigaldatud nende jaoks ette nähtud soontesse.

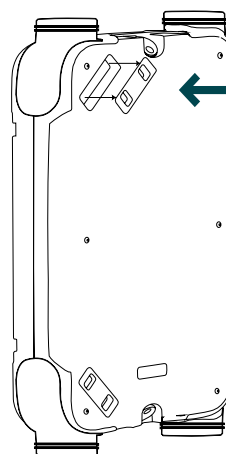
16. Keerake metallkatte kruvid uuesti kinni.



17. Paigaldage filtrid tagasi oma pesadesse, paigutades need punktis 3 kirjeldatud viisil.



18. Paigaldage filtrikatted tagasi.



EN

DE

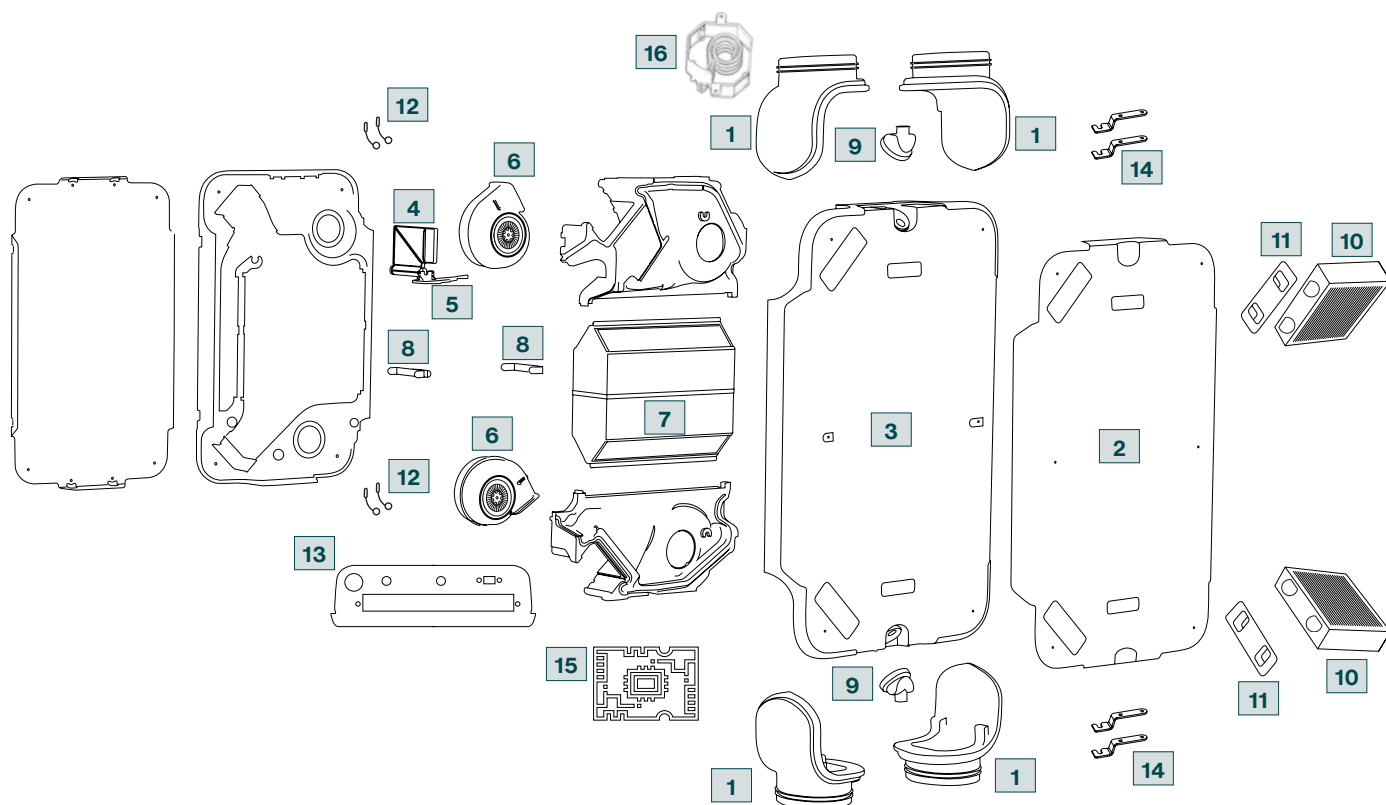
IT

ET

LT

LV

11. Seadme ülevaade ja komponentide kirjeldus



Nr.	Komponentide kirjeldus	Tükkide arv
1	Pööratav liitmik	4 tükki
2	Esiosa kate	1 tükk
3	Polüpropüleenist kate ventilaatorite, soojusvaheti ja elektroonika jaoks	1 tükk
4	Möödaviiguklapp	1 tükk
5	Möödaviiguklapi mootor	1 tükk
6	Kõrge efektiivsusega ventilaatorid	2 tükki
7	Kõrge efektiivsusega soojusvaheti	1 tükk
8	Soojusvaheti kinnitusklambrid	2 tükki
9	Pööratav kondensaadi äravool	2 tükki
10	Suure jõudlusega filtrid	2 tükki
11	Filtrikate	2 tükki
12	Temperatuuriandur	4 tükki
13	Ühendusplaat	1 tükk
14	Kummipuksid	4 tükki
15	Elektroonikaplaat	1 tükk
16	Eelküte (*)	1 tükk

(*) Ainult mudelitel Zehnder EVO 2 HRV PR ja Zehnder EVO 2 ERV PR.

EN

DE

IT

ET

LT

LV

LT Montuotojo vadovas

1.	Turinys	
1.	Įvadas	3
1.1.	Naudojimasis "Zehnder EVO 2" įrenginiu	3
1.2.	Garantijos sąlygos	3
2.	Įvadas ir sauga	3
2.1.	Įvadas	3
2.2.	Sauga	4
2.3.	Montavimo sąlygos	4
2.4.	Naudojimo patalpose su židiniais taisyklės	5
2.5.	Atitiktis	5
3.	Transportavimas ir pristatymas	5
3.1.	Transportavimo saugos nurodymai	5
3.2.	Pristatomų daiktų patikrinimas	5
3.3.	Vėdinimo įrenginio išpakavimas	6
4.	EVO 2 įrenginio charakteristikos	6
4.1.	Jungtys	6
4.2.	Modelio modifikavimas iš „dešininės versijos“ į „kairinę versiją“	7
4.3.	Išsami įrenginio schema	7
4.4.	Techninės specifikacijos	8
4.5.	Elektrinių tenų modeliai EVO 2 HRV PR ir EVO 2 ERV PR įrenginiams	8
4.6.	Energijos vartojimo efektyvumo klasės	8
4.7.	Eksploatacinių savybių diagramos	9
4.8.	Darbiniai taškai	9
4.9.	Entalpijos šilumokaičio veikimo principas	9
4.10.	Akustiniai duomenys	10
5.	Montavimas	10
5.1.	Matmenys	10
5.2.	Preliminarus įvertinimas	10
5.3.	Montavimas	11
5.4.	Montavimas ant lubų	11
5.5.	Montavimas ant sienos	12
5.6.	Jungčių išdėstymas	14
5.7.	Kondensato išleidimo sistemos prijungimas	15
6.	Elektros jungtys	16
7.	Valdikliai ir jungtys	18
7.1.	Zehnder Multi Control	18
7.2.	Belaidis Zehnder EVO Sense	18
7.3.	Zehnder EVO Switch RF	18
7.4.	Radio dažnio CO ₂ jutiklis	18
7.5.	Radio dažnio drėgmės jutiklis	18
7.6.	Išmanusis ryšys	19
7.6.1.	EVO Connect ModBus	19
7.6.2.	EVO Connect ModBus-KNX	19
8.	Užsakymas	20
9.	Veikimas	20
9.1.	Oro apvedimo sklendės (bypass) veikimas	20
9.2.	Apsaugos nuo užšalimo įrenginys	20
10.	Techninio aptarnavimo procedūra	21
10.1.	Oro filtro techninis aptarnavimas	21
10.2.	Vėdinimo įrenginio valymas	22
11.	Įrenginio apžvalga ir sudedamųjų dalių aprašymas	25

EN

DE

IT

ET

LT

LV

1. Įvadas

Įspėjimas!



Prieš montuodami ir pradėdami eksploatuoti įrenginį, atidžiai perskaitykite šį naudotojo vadovą.

Šiame dokumente pateikiama informacija apie saugų, optimalų "Zehnder EVO 2" valdomo mechaninio vėdinimo įrenginio montavimą, paleidimą ir priežiūrą.

Toliau "Zehnder EVO 2" gali būti vadinamas "vėdinimo įrenginiu". Kadangi mūsų gaminiai nuolat atnaujinami ir tobulinami, jūsų turimas įrenginys gali skirtis nuo čia pateiktų aprašymų.

Naujausią montavimo vadovo versiją galite atsisiųsti iš "Zehnder" svetainės.

Naudojamos šios piktogramos:

Simbolis	Reikšmė
	Svarbi pastaba
	Rizika sugadinti sistemą arba pabloginti jos veikimą
	Asmens sužalojimo rizika

!/? Klausimai

Dėl visų klausimų, naujausių vadovų versijų ir informacijos apie techninio aptarnavimo centrus kreipkitės į "Zehnder" būstinę. Kontaktiniai duomenys:

Zehnder Baltics OÜ

Rannamõisa tee 38d, 13516 Tallinn, Estija
+370 64 647 119
info.baltics@zehndergroup.com
www.zehnder.lt

1.1. Naudojimasis "Zehnder EVO 2" įrenginiu

- Vėdinimo įrenginį ir bet kurį valdymo prietaisą galima eksploatuoti tik tuo atveju, jei jie sumontuoti pagal galiojančius nacionalinius ir vietos teisės aktus, laikantis šiame vadove ir valdymo instrukcijose pateiktų nurodymų.
- Įrenginio ir valdymo prietaiso negali naudoti asmenys (įskaitant vaikus), kurių fizinės, jutiminės ar protinės galimybės yra ribotos arba kurie neturi reikiamos patirties ir įgūdžių, nebent juos prižiūri atsakingas asmuo ir jie yra gavę saugiam naudojimui būtinus nurodymus.
- Vaikams draudžiama žaisti su vėdinimo įrenginiu.
- Vaikai be priežiūros negali atlikti jokių veiksmų su vėdinimo įrenginiu.

1.2. Garantijos sąlygos

Gamintojas vėdinimo įrenginiui suteikia garantiją, kurios trukmė yra 24 mėnesiai nuo montavimo arba ne daugiau kaip 30 mėnesių nuo pagaminimo datos. Teisė į garantiją gali būti taikoma tik dėl medžiagų ir (arba) konstrukcijos defektų, atsiradusių garantiniu laikotarpiu.

Jei prašoma atlikti garantinius darbus, vėdinimo įrenginio negalima atidaryti ar išardyti be raštiško gamintojo leidimo. Garantija taikoma tik tiems remonto darbams ir dalims, kuriuos atlieka įgaliotasis techninio aptarnavimo centras, naudodamas originalias "Zehnder" atsargines dalis.

Garantija netenka galios, jei:

- Pasibaigė garantijos laikotarpis.
- Ventiliacijos įrenginys naudojamas be originalaus "Zehnder" filtro arba be išorinių sieninių grotelių.
- Nenaudojamos originalios "Zehnder" atsarginės dalys.
- Vėdinimo įrenginys buvo neleistinais modifikuotas arba pakeistas.
- Defektai atsirado dėl neteisingo montavimo, netinkamo naudojimo ar prastos sistemos priežiūros.

2. Įvadas ir sauga

2.1. Įvadas

Zehnder EVO 2 yra priverstinio vėdinimo įrenginys su rekuperacija, skirtas užtikrinti nuolatinę, energiją taupančią oro apykaitą mažuose pastatuose, butuose ir namuose. Vėdinimo įrenginys ištraukia drėgną, užsistovėjusį orą iš tokių patalpų, kaip virtuvės ir vonios kambariai, ir tuo pačiu metu tiekia tokį pat šviežio oro srautą į gyvenamąsias patalpas, pavyzdžiui, poilsio kambarius, miegamuosius ir pan. Oras cirkuliuoja pro tarpus po durimis arba specialias, orui pralaidžias ir garsą slopinančias, groteles.

Priverstinio vėdinimo įrenginio sistemą sudaro:

- vėdinimo įrenginys;
- lauko oro įsiurbimo ir oro išleidimo iš įrenginio ortakiai;
- antriniai šviežio ir šalinamo oro ortakiai įvairiose patalpose;
- vožtuvai ir grotelės šviežiam orui tiekti į poilsio kambarius, miegamuosius ir kitas gyvenamąsias patalpas;
- difuzoriai ir grotelės, skirtos užsistovėjusiam orui šalinti iš virtuvių, vonios kambarių ir kitų drėgnų patalpų;
- išorinės sieninės grotelės orui įsiurbti ir išleisti.

EN





DE

IT

ET








LT


LV


-  **Prieš pradėdami naudoti vėdinimo įrenginį, perskaitykite vadovą.**
-  **Įsitinkite, kad tarpai po durimis arba tranzitinės grotelės nebūtų užkimšti, kad oras galėtų cirkuluoti pastate.**
-  **Išorinėje vėdinimo įrenginio pusėje gali susidaryti kondensatas. Jei taip atsitinka, jokių veiksmų imtis nereikia.**
-  **Vėdinimo įrenginį reikia utilizuoti aplinkai nekenksmingu būdu. Neišmeskite įrenginio kartu su buitinėmis atliekomis.**


2.2. Sauga


Atidžiai perskaitykite visas saugos instrukcijas, kad užtikrintumėte saugų ir teisingą vėdinimo įrenginio naudojimą.

-  **ĮSPĖJIMAS! Pavojinga elektros įtampa. Įvykus stichinei nelaimei, atjunkite elektros energijos tiekimą.**
-  **Laikykitės šiame vadove pateiktų saugos taisyklių, atsargumo priemonių ir nurodymų. Nesilaikant šių reikalavimų, galite sugadinti įrenginį arba susižaloti.**
-  **Montavimą, paleidimą ir techninį aptarnavimą turi atlikti profesionalūs montuotojai, nebent instrukcijose nurodyta kitaip.**
-  **Neatidarykite vėdinimo įrenginio. Profesionalus montuotojas turi užtikrinti, kad visos dalys, galinčios sužaloti asmenis, būtų saugiai patalpintos įrenginio viduje.**
-  **Jei šioje instrukcijoje nenurodyta kitaip, visą laiką laikykite įrenginį veikiantį. Priešingu atveju gali kauptis drėgmė ir atsirasti pelėsis.**
-  **Draudžiama modifikuoti vėdinimo įrenginį ir prie jo prijungtus valdymo prietaisus. Dėl fizinių ar programinės įrangos pakeitimų yra prarandama garantinė apsauga, gali atsirasti gedimų arba sužaloti asmenis.**
-  **Jei maitinimo kabelis pažeistas, jį turi pakeisti "Zehnder" įgaliotas specialistas.**

 **Montuojant įrenginį, vadovaukitės galiojančiais nacionaliniais ir vietos teisės aktais bei šiomis instrukcijomis. Įrenkite apsauginį jungiklį maitinimo šaltiniui atjungti.**

 **Prieš pradėdant bet kokius techninio aptarnavimo ar remonto darbus, visada atjunkite vėdinimo įrenginį nuo elektros tinklo. Įsitinkite, kad jis atsitiktinai neįsijungtų iš naujo.**

 **Neįjunkite vėdinimo įrenginio, kai jis atidarytas: elektros įtampa ir ventiliatorių judėjimas gali sužaloti žmogų.**

 **Dirbant su įrenginiu imkitės atitinkamų atsargos priemonių, kad išvengtumėte elektrostatinės iškvros. Statinė elektra gali sugadinti elektros komponentus.**

2.3. Montavimo sąlygos

Vėdinimo įrenginys skirtas naudoti namuose, biuruose, nedidelėse dirbtuvėse ir panašiose vietose, jei:

- nėra pirčių ar baseinų;
- drėgmės lygis nėra per didelis;
- dulkių lygis nėra per didelis;
- nėra kenksmingų ar galinčių sukelti koroziją medžiagų.


Norėdami nustatyti, ar vėdinimo įrenginį galima naudoti numatytoje vietoje, patikrinkite, ar:

- yra 230 V, 50 Hz elektros energijos šaltinis; bet kokia kita darbinė įtampa ar dažnis gali nepataisomai sugadinti įrenginį;
- patalpos temperatūra visą laiką neviršija leistino intervalo (žr. lentelę "Techninės specifikacijos");
- drėgmė patalpoje nėra per didelė, nesikondensuoja ir visą laiką atitinka leistinas normas (žr. lentelę "Techninės specifikacijos"). Nemontuokite įrenginio patalpose, kuriose drėgmė yra didesnė nei vidutinė, pavyzdžiui, vonios kambariuose ar persirengimo patalpose.

Patikrinkite, ar įrengimo zonoje yra pakankamai vietos oro paskirstymo sistemai.

Montuokite vėdinimo įrenginį lengvai prieinamoje vietoje, kad būtų galima atlikti techninio aptarnavimo procedūras.

Zehnder EVO 2 gali būti montuojamas ant sienos arba lubų, naudojant pridedamus montavimo laikiklius.

 **Norėdami patikrinti įvairias montavimo galimybes, žr. specialų skyrį.**

EN

DE

IT

ET

LT

LV

2.4. Naudojimo patalpose su židiniais taisyklės

Norint saugiai naudoti vėdinimo įrenginį, reikia atsižvelgti į vietos reikalavimus, nurodytus atitinkamuose reglamentuose, įstatymuose ir direktyvose. Zehnder EVO 2 galima montuoti tik pramogų vietose, butuose ar panašiuose pastatuose, kur įrengti židiniai ar kitos degimo sistemos, veikia naudojant aplinkos orą, jei:

- saugos prietaisai neleidžia vienu metu veikti aplinkos oro židiniams ir oro ištraukimo sistemai.

Arba

- dūmų išmetimą iš degimo sistemos, veikiančios aplinkos oru, kontroliuoja specialūs saugos prietaisai. Jei degimo sistemoje deginamas skystasis arba dujinis kuras, suveikus saugos prietaisui, degimo arba vėdinimo sistema turi būti išjungta. Jei degimo sistemoje deginamas kietasis kuras, suveikus saugos prietaisui turi būti išjungta vėdinimo sistema.

Jeigu pastato bloke yra degimo sistemų, naudojančių aplinkos orą ir prijungtų prie dūmų išmetimo sistemų su keliomis jungtimis, priverstinio vėdinimo įrenginių montuoti tokioje vietoje negalima. Norint užtikrinti tinkamą funkcionavimą, turi būti įmanoma išjungti atviros kameros sistemų degimo ortakius ir išmetamųjų dujų išmetimo sistemas.

Kietojo kuro židiniams turi būti numatyta užgesinimo galimybė naudojant rankiniu būdu valdomą išjungimo prietaisą. Išjungimo prietaiso padėtis turi būti aiškiai matoma nuo valdymo rankenos padėties. Šis reikalavimas tenkinamas, jei naudojamas suodžių blokavimo prietaisas.

Priešgaisrinės saugos reikalavimai: turi būti laikomasi nacionalinių ir vietos teisės aktų, susijusių su priverstinio vėdinimo sistemos montavimu ir priešgaisrine sauga.

2.5. Atitiktis

Gamintojo "Zehnder EVO" vėdinimo įrenginiai



Siber Zone S.l.u.

C/Can Marcia 2
08520 Las Frenquesas des Vallés
Apto de Correos Nr. 9
Barselona, Ispanija

atitinka ES atitikties deklaracijos ir EAC sertifikato direktyvas ir reglamentus.

3. Transportavimas ir pristatymas

3.1. Transportavimo saugos nurodymai



Leistinas laikymo ir transportavimo temperatūros intervalas yra nuo -20 °C iki +50 °C.



Prieš transportuodami vėdinimo įrenginį perskaitykite saugos instrukcijas.



Gabenant vėdinimo įrenginį visada pasitelkite kito asmens pagalbą. Transportuojant ir išpakuojant vėdinimo įrenginį reikia elgtis atsargiai.



Vėdinimo įrenginio kraštai gali būti aštrūs. Dėvėkite apsaugines pirštines, kad neįsijautumėte.

3.2. Pristatomų daiktų patikrinimas

Dėžės turinys:

- Zehnder EVO 2 vėdinimo įrenginys;
- Trumpasis montavimo vadovas;
- "EcoDesign" etiketė;
- Montavimo laikikliai;
- Pakuotė su antivibracinėmis jungtimis ir tvirtinimo varžtais.

Patikrinkite vardinę lentelę, kad įsitikintumėte, jog pristatytas įrenginys yra tinkamas:

- EVO 2 HRV: įrenginys su standartiniu šilumokaičiu;
- EVO 2 ERV: blokas su entalpinio šilumokaičiu;
- EVO 2 HRV PR: įrenginys su standartiniu šilumokaičiu ir elektriniu tenu;
- EVO 2 ERV PR: įrenginys su entalpinio šilumokaičiu ir elektriniu tenu.



Jei vėdinimo įrenginys akivaizdžiai pažeistas arba trūksta priedų, nedelsdami kreipkitės į tiekėją.

Zehnder EVO 2 vėdinimo įrenginys pristatomas be reguliavimo priedų. Apie pasirenkamus priedus žr. atitinkamą skyrį.

EN

DE

IT

ET

LT

LV

3.3. Vėdinimo įrenginio išpakavimas

Atidarykite kartoninės pakuotės viršų. Pakelkite vėdinimo įrenginį iš pakuotės ir padėkite jį ant švaraus, minkšto paviršiaus, kad jo nepažeistumėte.

Kartoninę dėžę pasilikite kaip šabloną gręžiant skylės, reikalingas montuojant įrenginį.



Su vėdinimo įrenginiu elkitės atsargiai. Įrenginiui pakelti reikia dviejų žmonių. Nelaikykite įrenginio už jungiamųjų detalių, nes galite jas sugadinti.



Pakuotę išmeskite aplinkai saugiu būdu.



Pasirūpinkite, kad neprarastumėte pateiktų priedų.

4. EVO 2 įrenginio charakteristikos

Zehnder EVO 2 yra dviejų srautų priverstinio vėdinimo įrenginys, kurio našumas siekia iki 87 % (eksploatacinį savybių deklaracija pagal ES 1254/2014), maksimalus vėdinimo srautas 200 m³/h, su energiją taupančiais ventiliatoriais ir automatinė oro apvedimo sklendė, užtikrinančia „laisvą vėsinimą“.

EVO 2 įrenginio charakteristikos:

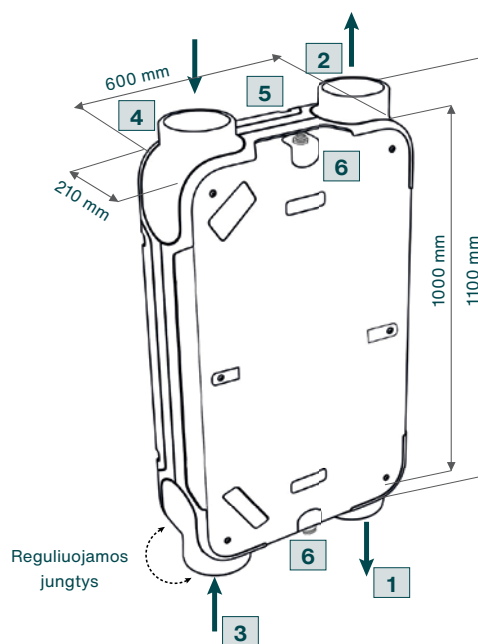
- nuolatinis oro srautų reguliavimas valdymo pulte;
- filtro būsenos indikatorius;
- išmanioji apsaugos nuo užšalimo reguliavimo sistema, užtikrinanti optimalų funkcionavimą net esant žemai temperatūrai. Jeigu įsigytas įrenginys yra „PR“ versijos, prireikus įjungiamas elektrinis tenas;
- mažas triukšmo lygis;
- standartiškai komplektuojama automatinė oro apvedimo sklendė;
- pastovaus srauto intensyvumo reguliavimas;
- didelis našumas ir mažos energijos sąnaudos.

"Zehnder EVO 2" yra 4 versijų:

- EVO 2 HRV: įrenginys su standartiniu šilumokaičiu;
- EVO 2 ERV: blokas su entalpinio šilumokaičiu;
- EVO 2 HRV PR: įrenginys su standartiniu šilumokaičiu ir elektriniu tenu;
- EVO 2 ERV PR: įrenginys su entalpinio šilumokaičiu ir elektriniu tenu.

Ši montavimo instrukcija taikoma visoms "Zehnder EVO 2" įrenginio versijoms.

4.1. Jungtys



Standartinės „dešinės versijos“ konfigūracijos raktas

Simbolis	Reikšmė
1	Šviežio oro srautas į butą
2	Užsistovėjusio oro ištraukimas į lauką
3	Užsistovėjusio oro ištraukimas iš buto
4	Šviežio oro įsiurbimas iš lauko
5	Elektros jungtys
6	Kondensato nuvedimas *

* EVO 2 HRV ir EVO 2 HRV PR įrenginiams būtina jungtis prie kondensato nuvedimo sistemos. Daugiau informacijos rasite atitinkamame skyriuje.

EN

DE

IT

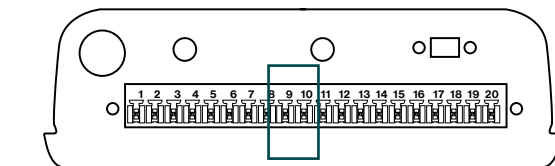
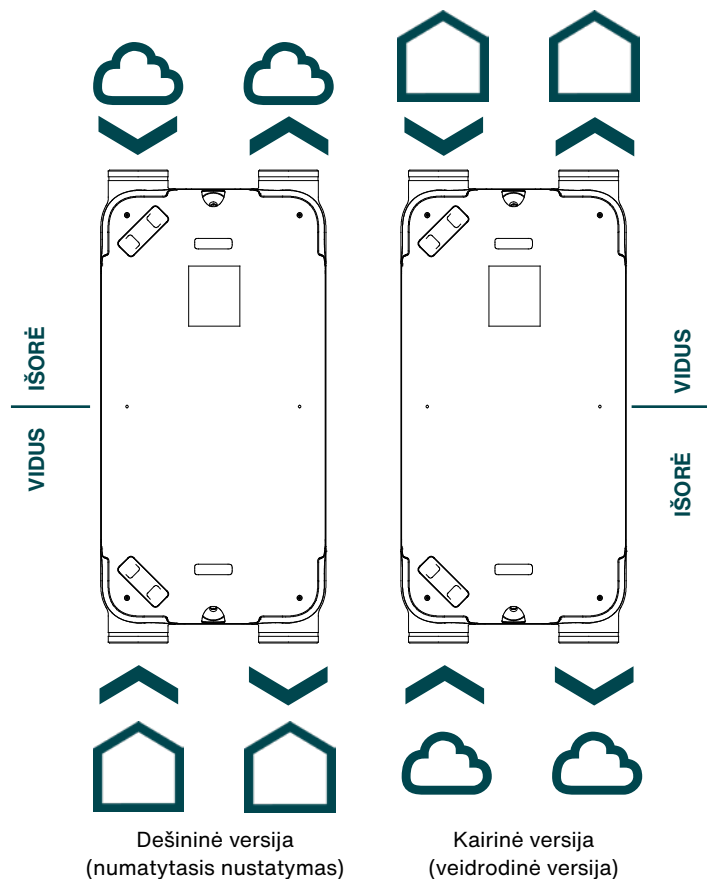
ET

LT

LV

4.2. Modelio modifikavimas iš „dešinės versijos“ į „kairinę versiją“

Norėdami pakeisti nustatymą iš „dešinės versijos“ į „kairinę versiją“, tiesiog uždėkite pertraukiklį ant 9 ir 10 kontaktų.



SVARBU!

Jei įrenginys montuojamas ant sienos, jį galima montuoti TIK taip, kad elektros jungtys būtų nukreiptos į viršų.

Įrenginys su šilumokaičiu (HRV) **PRIVALO** būti montuojamas taip, kad lauko oro įleidimo ir užsistovėjusio oro išleidimo jungčių taškas būtų nukreiptas žemyn („kairinė versija“).

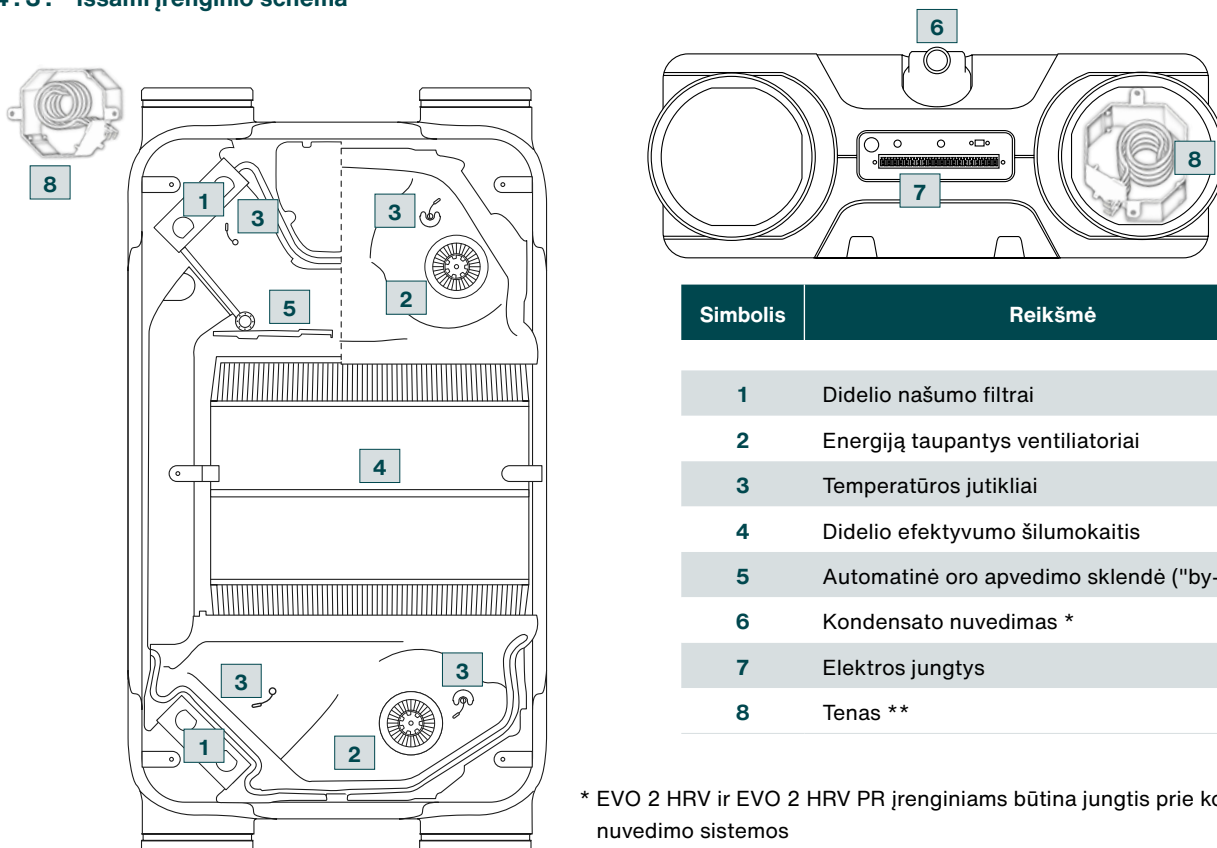
Žr. atitinkamą skyrių.

SVARBU!

Įrenginio modifikavimas iš „dešinės versijos“ į „kairinę versiją“ negalimas šiems modeliams:

EVO 2 HRV PR ir EVO 2 ERV PR

4.3. Išsami įrenginio schema








Simbolis	Reikšmė
1	Didelio našumo filtrai
2	Energiją taupantys ventiliatoriai
3	Temperatūros jutikliai
4	Didelio efektyvumo šilumokaitis
5	Automatinė oro apvedimo sklendė ("by-pass")
6	Kondensato nuvedimas *
7	Elektros jungtys
8	Tenas **

* EVO 2 HRV ir EVO 2 HRV PR įrenginiams būtina jungtis prie kondensato nuvedimo sistemos

** Standartinė komplektacija tik modeliuose EVO 2 HRV PR ir EVO 2 ERV PR

4.4. Techninės specifikacijos

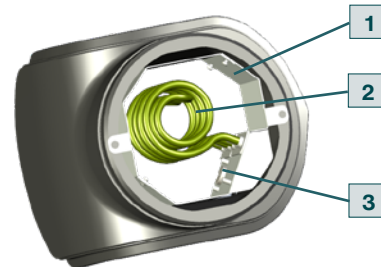
Zehnder EVO 2					
Matmenys (ilgis x plotis x gylis)	1000 x 600 x 210 mm				
Svoris	24 kg				
Montavimas	Horizontaliai ant lubų arba vertikaliai ant sienos (*)				
Įrengimo aplinkos temperatūros diapazonas	nuo 10 iki 45 °C				
Įrengimo aplinkos drėgmės diapazonas	< 90 % nesikondensuojanti				
Kondensato nuvedimo jungtis (Ø)	1/2"				
Prijungimo ortakių dydis (Ø)	Ø 160				
Tinklo įtampa	230 V / 50 Hz				
Maksimalus oro srautas	200 m³/h / 55.56 l/s				
	Zehnder EVO 2 HRV		Zehnder EVO 2 ERV		
Standartiniai filtrai	2x ISO Coarse 65% (G4) srautui ir ištraukimui				
Papildomi filtrai	ISO ePM1 55 % (F7) / ISO Coarse 65% (G4) oro tiekimui ir ištraukimui				
Vėdinimo režimas					
ComfoSense S valdymas	0	1	2	3	Padidinti
Vėdinimo sruto intensyvumas (m³/h)	30	75	100	150	200

(*) Žr. atitinkamą skyrių apie įrenginio montavimo prie sienos parinktis ir atsargumo priemones

4.5. Elektrinių tenų modeliai EVO 2 HRV PR ir EVO 2 ERV PR įrenginiams

Elektrinis tenas standartiškai montuojamas EVO 2 HRV PR ir EVO 2 ERV PR modeliuose, ant lauko oro įleidimo jungties. Jis padidina įeinančio oro temperatūrą 10 °C ir apsaugo rekuperatorių šalčiausiomis metų dienomis.

1. AISI304L nerūdijančio plieno kaitinimo elementai
2. Galingumas 1.0 kW
3. Automatinis išjungimas esant 40 °C temperatūrai apsaugo nuo perkaitimo



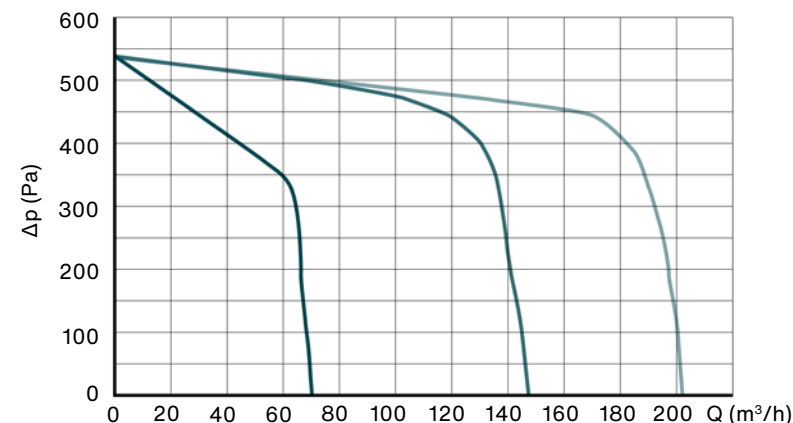
4.6. Energijos vartojimo efektyvumo klasės

Energinio naudingumo klasės pagal Europos Sąjungos reglamentą Nr. 1254/2014.

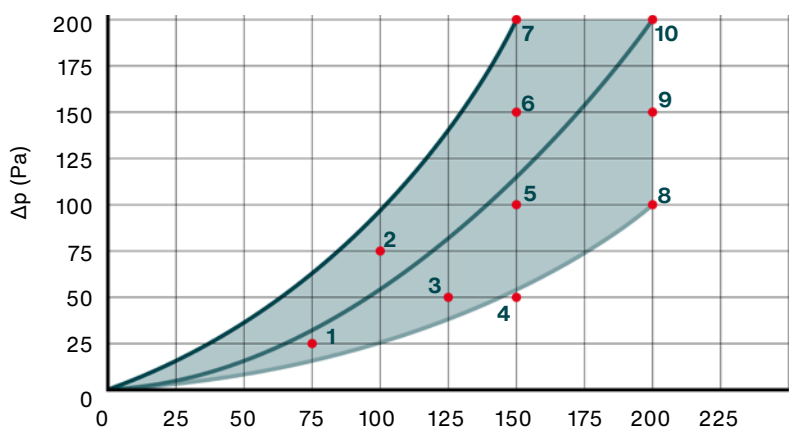
Energetiniai duomenys		Energetiniai duomenys	
ES energijos sąnaudų etiketė EVO 2 HRV		ES energijos sąnaudų etiketė EVO 2 ERV	
Energijos vartojimo efektyvumo klasė	A+ **	Energijos vartojimo efektyvumo klasė	A+ **
Didžiausias tūrinio oro sruto intensyvumas [m³/h]	200	Didžiausias tūrinio oro sruto intensyvumas [m³/h]	200
Sertifikuotas energijos vartojimo efektyvumas	87%	Sertifikuotas energijos vartojimo efektyvumas	79%
Triukšmo stiprumo lygis LWA dB(A)	49	Triukšmo stiprumo lygis LWA dB(A)	49

** priklausomai nuo pasirinkto valdymo bloko / jutiklių tipo.

4.7. Eksploatacinių savybių diagramos



— mažas ventiliatorius
— greitis
— vidutinis ventiliatorius

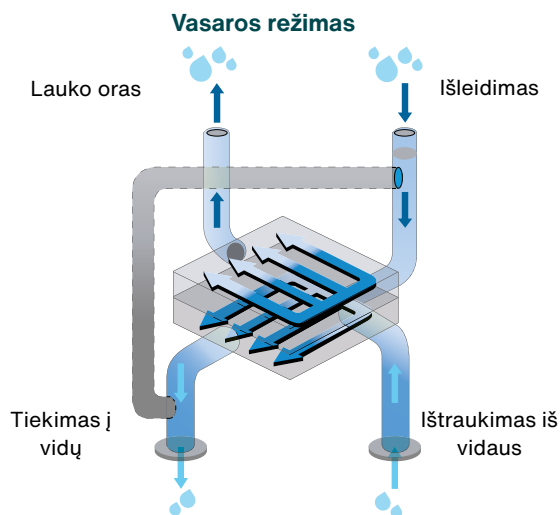
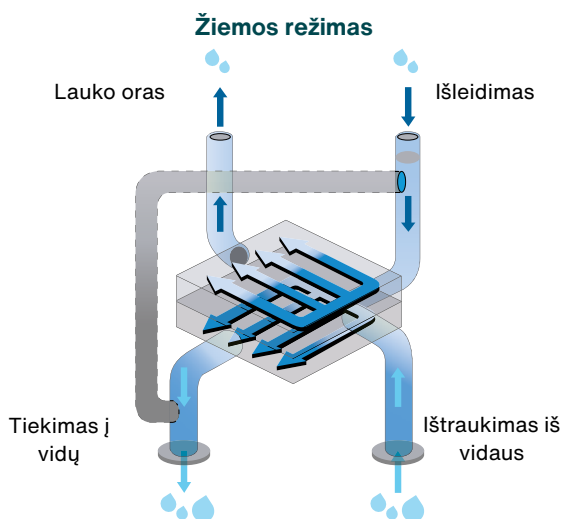


■ dP Minimalus ■ dP Vidutinis ■ dP Maksimalus ● darbinis taškas Q (m³/h)

4.8. Darbiniai taškai

Darbiniai taškai				
Taškas	Srauto intensyvumas [m³/h]	Slėgis [Pa]	Maitinimas [W]	SFP [W/l/s]
1	75	25	12.61	0.61
2	100	75	25.31	0.91
3	125	50	29.16	0.84
4	150	50	39.20	0.94
5	150	100	49.65	1.19
6	150	150	60.92	1.46
7	150	200	72.60	1.74
8	200	100	81.33	1.46
9	200	150	93.10	1.68
10	200	200	106.48	1.92

4.9. Entalpijos šilumokaičio veikimo principas



Žiemą iš virtuvių ir vonios kambarių ištraukiamas šiltas, drėgnas oras iš namų aplinkos. Šilumokaičio viduje šis oras susitinka su šaltu, labai sausu lauko oru ir perduoda jam savo šilumą bei dalį drėgmės.

Tai reiškia, kad lauko oras į patalpą tiekiamas tokios temperatūros ir drėgmės, kad būtų palaikomas aukščiausias patalpų komforto lygis, tačiau oras pernelyg neišsausėja.

Entalpinis šilumokaitis padeda šildymo sistemai palaikyti idealią oro temperatūrą net ir šalčiausiu oru.

Vasarą iš patalpos aplinkos ištraukiamas vėsus, išdžiovintas oras. Šilumokaičio viduje jis susitinka su karštu, drėgnu lauko oru, jį iš anksto aušindamas ir išdžiovindamas.

Tokiu būdu vėdinimo įrenginys padeda aktyviai vėsinimo ir sausavimo sistemai palaikyti patalpų komfortą su itin nedidelėmis energijos sąnaudomis.

Entalpinis šilumokaitis padeda lengviau veikti patalpų oro vėsinimo sistemoms, nes neleidžia į patalpas patekti drėgnam orui vasaros metu.

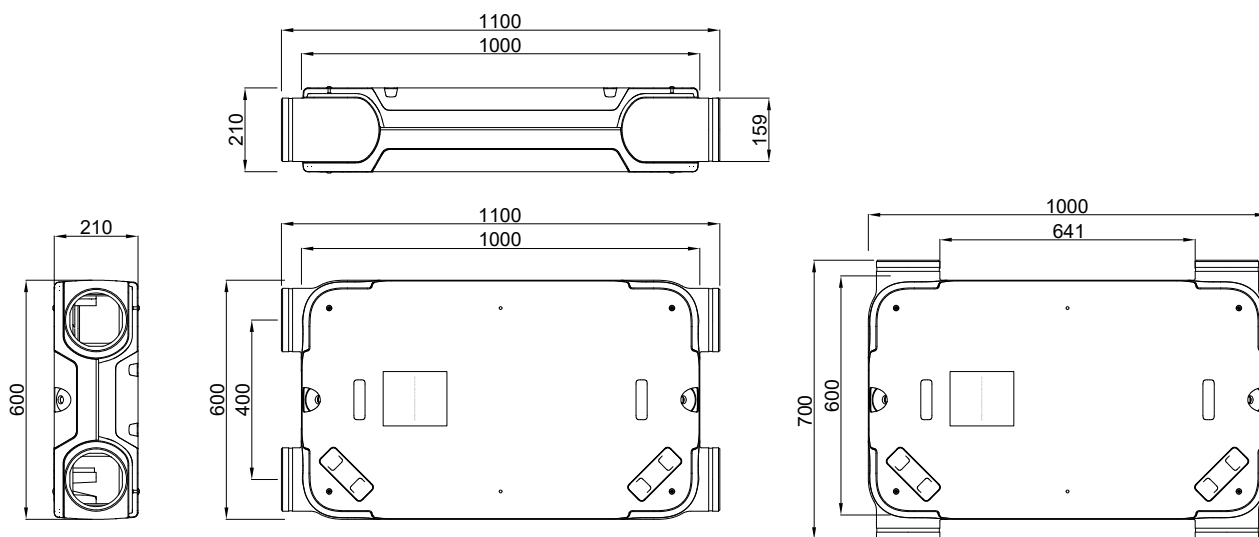
4.10. Akustiniai duomenys

Triukšmo lygis

Atskaitinis srauto intensyvumas	m ³ /h	75	125	150	150	200	200	
Atskaitinis pasipriešinimas	Pa	25	50	50	100	150	200	
Triukšmo stiprumas Lw (A)	Įrenginio triukšmo parametrai	dB(A)	33	42	44	46	51	56
	Oro ištraukimo iš patalpų ortakis	dB(A)	34	43	45	48	50	57
	Tiekiamo oro ortakis	dB(A)	46	51	59	62	65	66
Triukšmo slėgis Lp (A) 1,5 m atstumu	Įrenginio triukšmo parametrai	dB(A)	18	27	29	31	36	41

5. Montavimas

5.1. Matmenys



5.2. Preliminarus įvertinimas



Prieš atlikdami bet kokią montavimo ar demontavimo procedūrą, atjunkite elektros energijos tiekimą.



Įsitikinkite, kad įrenginys neturi sąlyčio su vandeniu ar vandens pūslais.



Montuodami įrenginį, laikykite vaikus ir naminius gyvūnus atokiau nuo montavimo vietos.



Įsitikinkite, kad aplink įrenginį, priešais jį ir (arba) po juo palikta pakankamai vietos techniniam aptarnavimui.

Norint tinkamai sumontuoti vėdinimo įrenginį ir jo nepažeisti, reikalingi du asmenys.

Zehnder EVO 2 galima montuoti tiesiai ant sienos arba lubų naudojant pridedamus montavimo laikiklius.

Norint išvengta vibracijos, įrenginys turi būti montuojamas ant sienos arba lubų, kurių tankis ne mažesnis kaip 200 kg/m²; vien betoninės ar metalinės konstrukcijos nepakanka. Tokiu atveju reikalingos papildomos priemonės, pavyzdžiui, dvigubo standumo plokštės arba papildomi laikikliai.

Siekiant išvengti ventiliatoriaus vibracijos ir triukšmo, įrenginys turi būti sulyguotas vertikaliai arba horizontaliai (priklausomai nuo montavimo padėties).

5.3. Montavimas



Nemontuokite įrenginio lauke. Patikrinkite, ar montavimo aplinkos temperatūra ir drėgmės lygis visada atitinka leistinas normas.

Vėdinimo sistema gali būti montuojama horizontaliai (ant lubų laikiklių) arba vertikaliai (ant sieninių laikiklių).

Jeigu pasirinktas įrenginys yra EVO 2 HRV arba EVO 2 HRV PR, montavimo vietoje turi būti įrengta efektyvi kondensato nuvedimo sistema su sifonu ir pakankamu nuolydžiu, kad galėtų visą laiką netrukdomai veikti ir nebūtų veikiami šalčio, siekiant užtikrinti nuolatinį tinkamą kondensato nutekėjimą.



Įsitikinkite, kad kondensato nuvedimo nuolydis nėra lygiagretus įrenginiui arba nukreiptas atgal į jį.

Jei pasirinktas EVO 2 ERV arba EVO 2 ERV PR įrenginys, kondensato nuvedimas nėra būtinas.

Montavimo vietoje turi būti palikta pakankamai vietos įprastiniam techniniam aptarnavimui (filto keitimui) ir neeiliniam aptarnavimui (įrenginio atidarymui, šilumokaičio ir ventiliatorių ištraukimui bei valymui ir kt.).

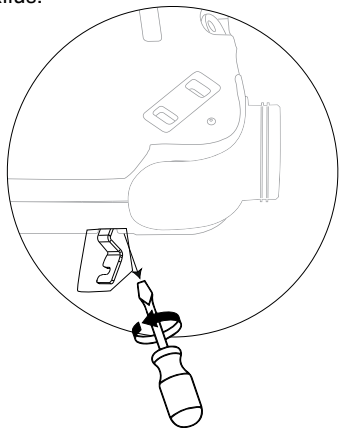


Įrenginys skirtas montuoti ant sienos arba lubų. Jo negalima montuoti ant grindų.

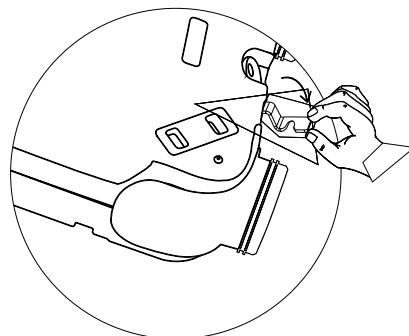
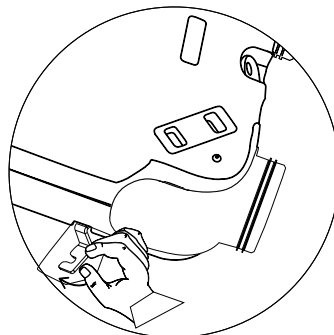
5.4. Montavimas ant lubų

1. Įrenginys pristatomas su tvirtinimo laikikliais, iš anksto sumontuotais išilgai įrenginio. Norėdami perkelti juos į trumpesnę pusę, elkitės taip.

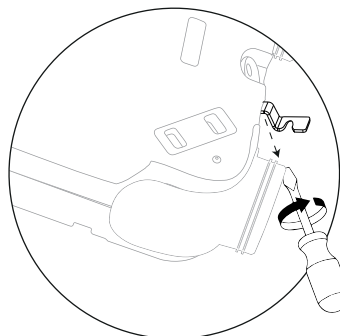
- Atsukite laikiklius.



- Perstumkite laikiklius į trumpąją pusę, laikydami juos taip pat.

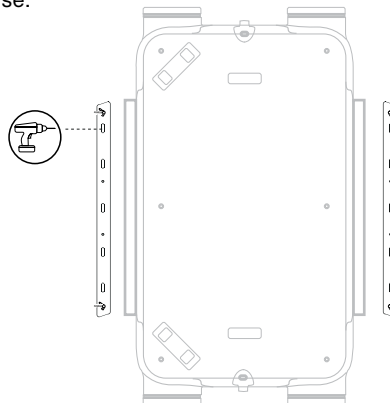


- Prisukite laikiklius naujoje padėtyje.



2. Paviršiuje išgręžkite pažymėtas skylės ir į ovalo formos skylės įsukite montavimo kronšteinus.

- Išilgoji pusė:



EN

DE

IT

ET

LT

LV

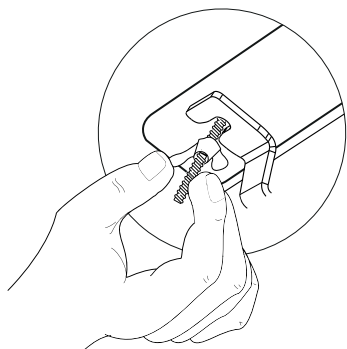
- Trumpoji pusė:



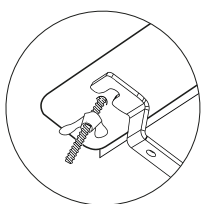
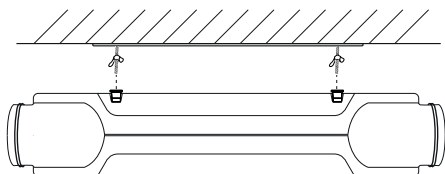
SVARBU!

Laikikliai turi būti 630 mm atstumu vienas nuo kito ilgose pusėse (standartinė versija) ir 1 035 mm atstumu vienas nuo kito trumpose pusėse.

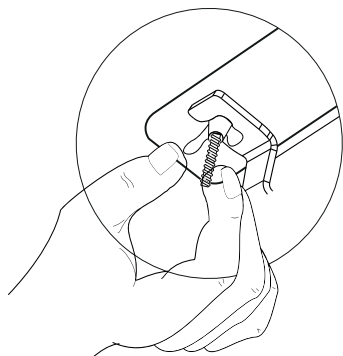
- 3. Atsukite veržles, kol jos bus tik 1 cm išilgai sriegio.



- 4. Uždėkite įrenginį ant bėgelio viršaus ir stumkite jį išilgai, kol jis užsifiksuos ant srieginės juostos.



- 5. Priveržkite veržles, kad įrenginys būtų pritvirtintas prie laikiklio.



5.5. Montavimas ant sienos

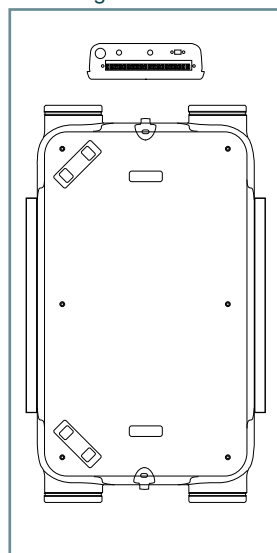


Įrenginys turi būti sumontuotas vertikaliai ir sulygiuotas vertikaliajoje plokštumoje, kad būtų užtikrintas efektyvus kondensato nuvedimas.

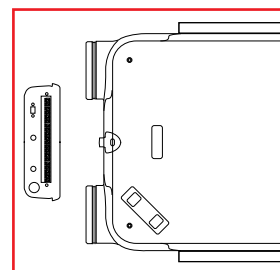
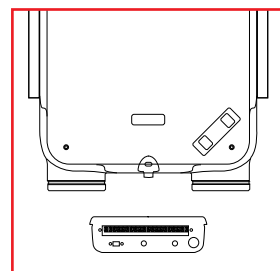


Montuokite TIK taip, kad įrenginio valdymo plokštės jungtis būtų nukreipta į viršų. Įrenginio negalima montuoti aukštyn kojomis, kai jungtis nukreipta žemyn.

Teisingas montavimas

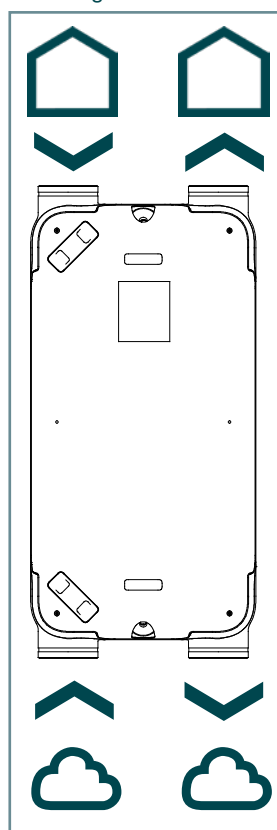


NETEISINGAS montavimas

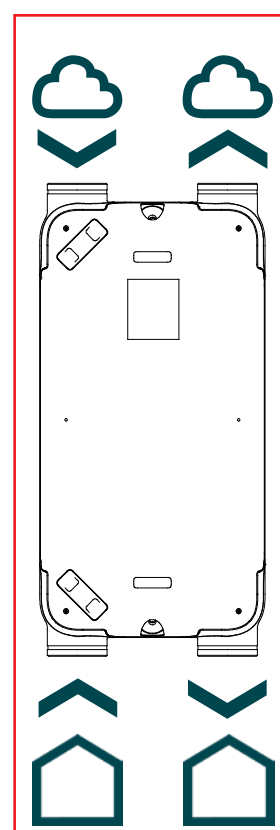


Įrenginį su standartiniu šilumokaičiu (HRV) montuokite TIK "kairinę versiją", kai lauko oro įleidimo ir užsistovėjusio oro išleidimo jungties taškas nukreiptas žemyn.

Teisingas montavimas



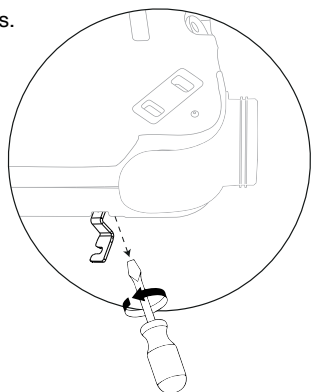
NETEISINGAS montavimas



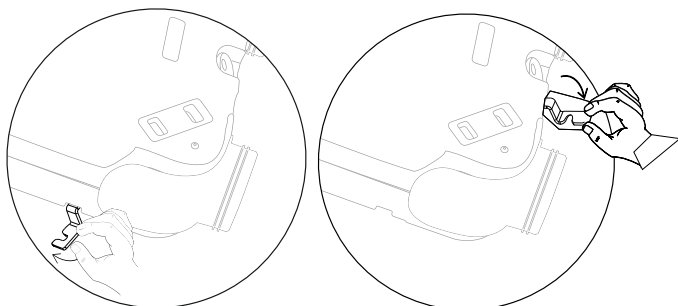
- EN
- DE
- IT
- ET
- LT**
- LV

1. Įrenginys pristatomas su tvirtinimo laikikliais, iš anksto sumontuotais išilgai įrenginio. Norėdami perkelti juos į trumpesnę pusę, elkitės taip.

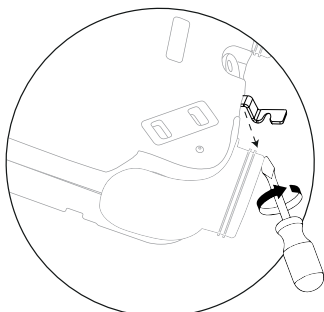
- Atsukite laikiklius.



- Perstumkite laikiklius į trumpąją pusę, laikydami juos taip pat.

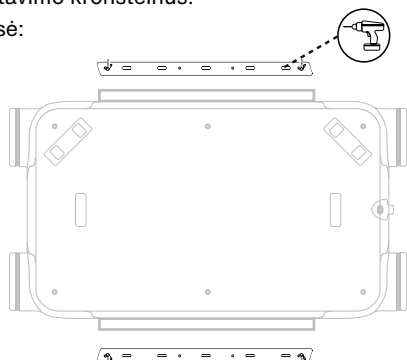


- Prisukite laikiklius naujoje padėtyje.

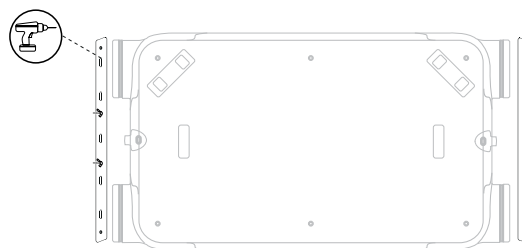


2. Paviršiuje išgręžkite pažymėtas skylės ir į ovalo formos skylės įsukite montavimo kronšteinus.

- Išilgoji pusė:



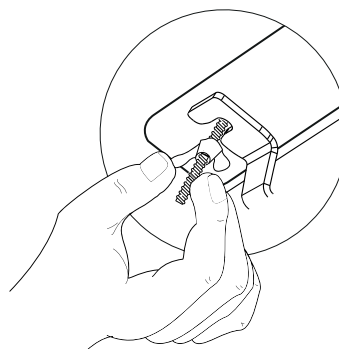
- Trumpoji pusė:



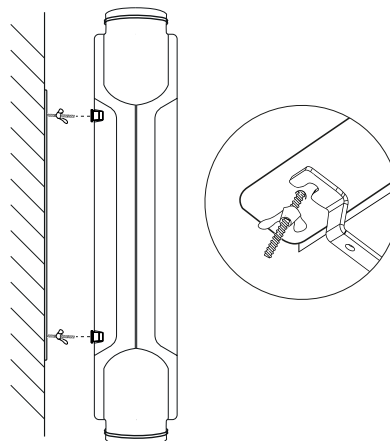
SVARBU!

Laikikliai turi būti 630 mm atstumu vienas nuo kito ilgoje pusėje (standartinė versija) ir 1 035 mm atstumu vienas nuo kito trumpose pusėse.

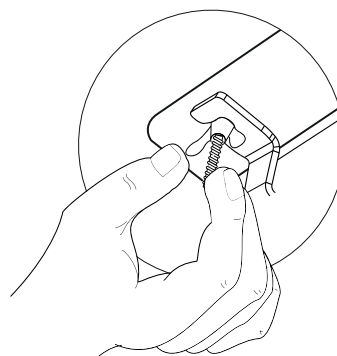
3. Atsukite veržles, kol jos bus tik 1 cm išilgai sriegio.



4. Uždėkite įrenginį ant bėgelio viršaus ir stumkite jį išilgai, kol jis užsifiksuos ant srieginės juostos.



5. Priveržkite veržles, kad įrenginys būtų pritvirtintas prie laikiklio.



EN

DE

IT

ET

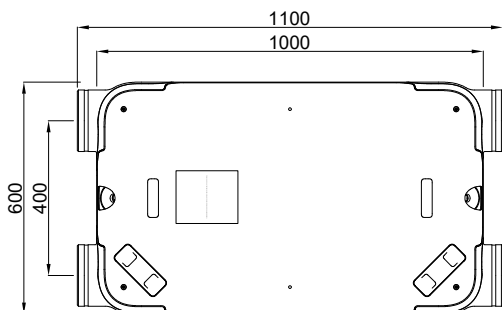
LT

LV

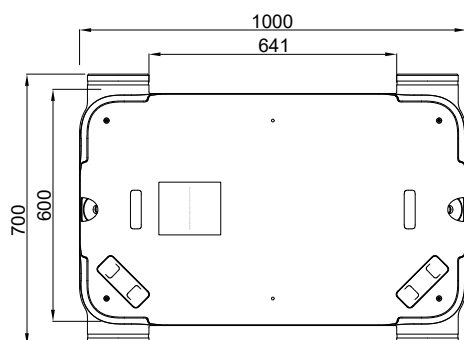
5.6. Jungčių išdėstymas

Paskirstymo jungčių jungiamųjų detalių pasukimo procedūra parodyta žemiau.

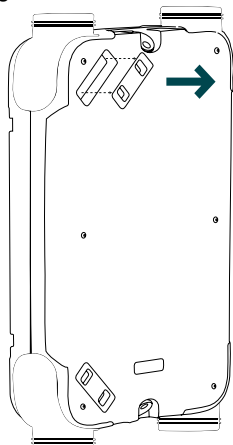
- Numatytoji konfigūracija:



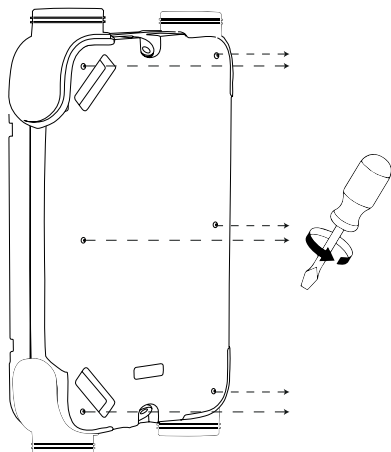
- Konfigūracija, kai jungtis pasuktos 90° kampu:



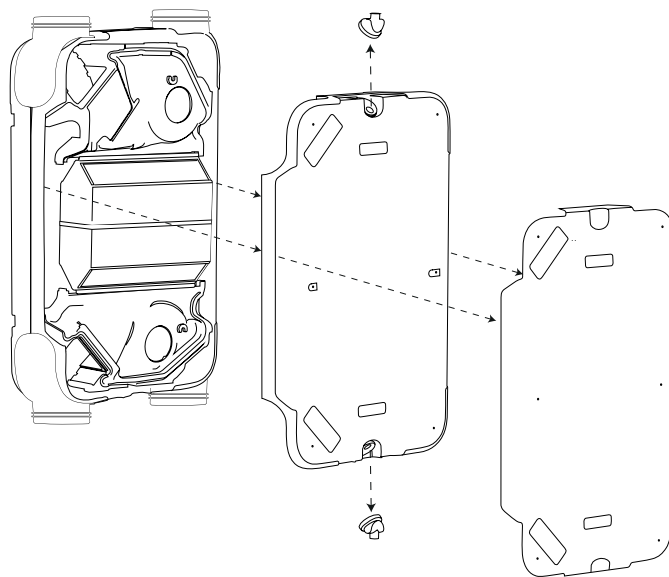
1. Nuimkite filtro dangtelius



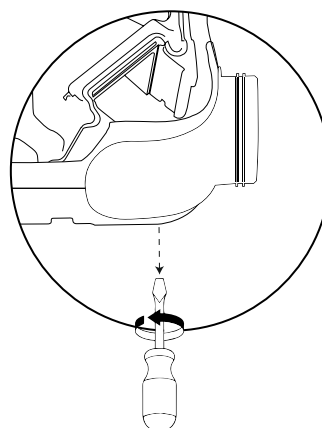
2. Atsukite išorinius dangtelio varžtus



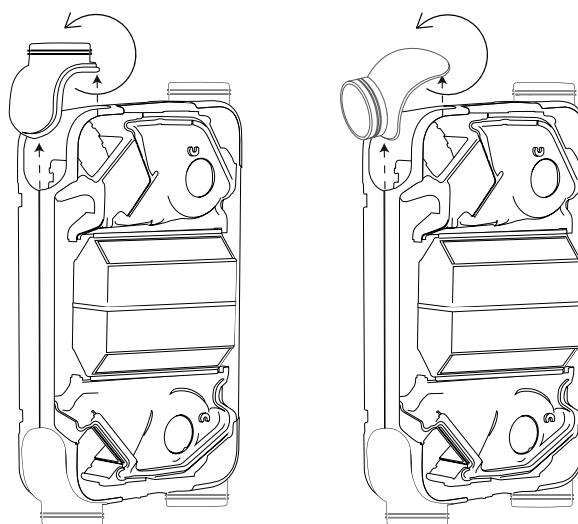
3. Nuimkite išorinį metalinį dangtelį ir viršutinį polipropileno dangtelį, taip atidengdami įrenginio vidų



4. Atsukite EPP jungčių tvirtinimo varžtus



5. Pakelkite ir pasukite jungtis, apsukite jas ir įstatykite atgal į vietą



EN

DE

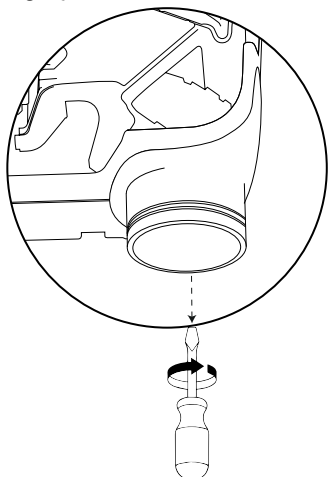
IT

ET

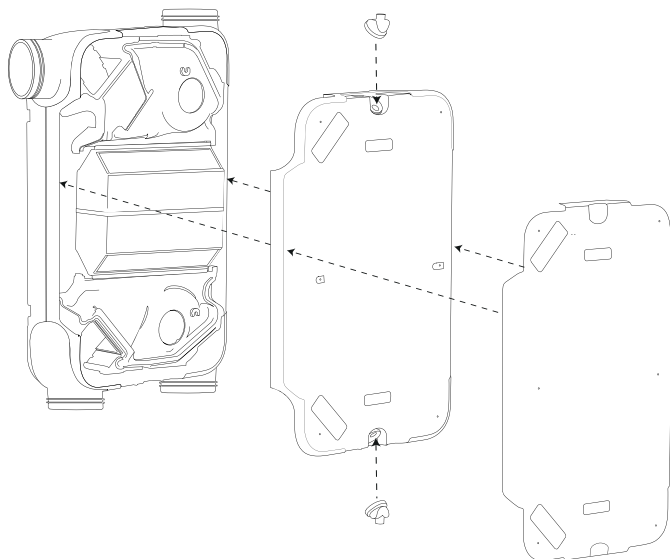
LT

LV

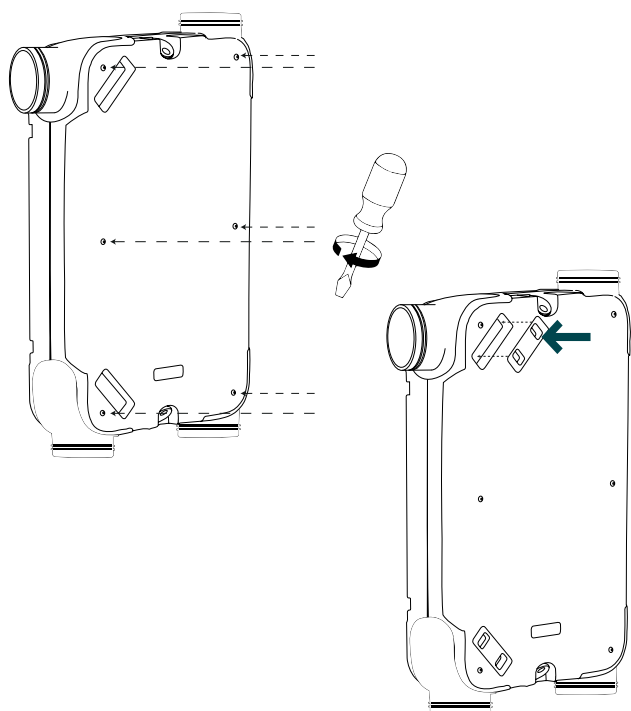
6. Vėl priveržkite jungčių varžtus



7. Uždėkite polipropileno viršutinį dangtelį ir metalinį dangtelį



8. Užveržkite varžtus ir pakeiskite filtro dangtelius



5.7. Kondensato išleidimo sistemos prijungimas

Zehnder EVO 2 HRV ir Zehnder EVO 2 HRV PR įrenginiuose turi būti įrengta kondensato nuvedimo sistema.

Tai nėra privaloma EVO 2 ERV ir EVO 2 ERV PR įrenginiams.

Prie įrenginio kondensato nuleidimo jungties prisukite sifoną su 1/2 colio išoriniu sriegiu (jį standartinę pakuotę neįeina, jį reikia užsisakyti atskirai).

Norėdami atlikti tinkamą techninį aptarnavimą, sumontuokite sifoną taip, kad jį būtų galima lengvai išimti ir patikrinti.

Įrenginio kondensato nuvedimo jungtis gali būti nukreipta horizontaliai arba žemyn.

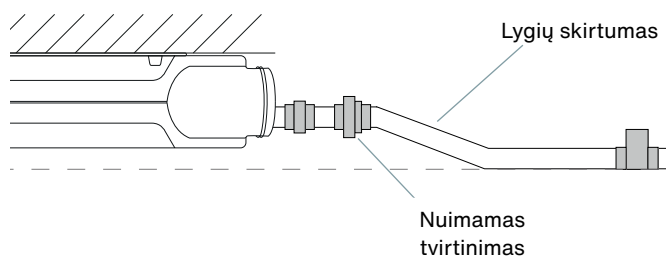


Įsitikinkite, kad kondensato nuvedimo nuolydis nėra lygiagretus įrenginiui arba nukreiptas atgal į jį.

Svarbu!

EVO HRV ir EVO HRV PR įrenginiuose prijungtas tik vienas kondensato nuvedimas; kitas turi būti užkimštas. EVO ERV ir EVO ERV PR įrenginiuose abu kondensato nuvedimai turi būti užkimšti. Kištukai pridedami.

Toliau pateikiamos horizontaliai sumontuoto EVO įrenginio kondensato nuvedimo įrengimo instrukcijos:



Jei įrenginys sumontuotas horizontaliai ant lubų, kondensato nuvedimas turi būti žemiau paties įrenginio lygio.

Įspėjimas!

Garantija galioja, jei sumontuotas originalus "Zehnder" sausas sifonas ir tinkamai įrengta kondensato nuvedimo sistema. Priešingu atveju, Zehnder neprisiima jokios atsakomybės įrenginio sugadinimo atveju.

EN

DE

IT

ET

LT

LV

6. Elektros jungtys

Prijungimas prie maitinimo tinklo turi būti atliktas pagal norminius standartus.

Ventiliatoriai ir elektros plokštė veikia esant 230 V maitinimo įtampai.

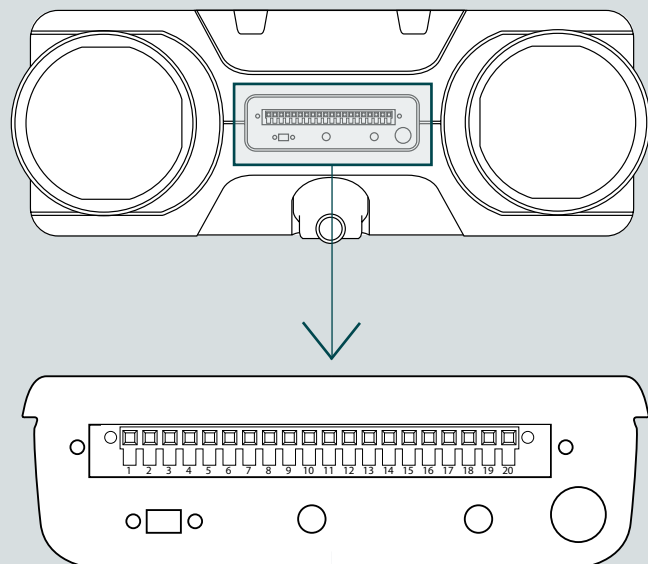


Atliekant bet kokius įrenginio montavimo ar techninio aptarnavimo darbus, maitinimo šaltinis turi būti atjungtas.

Laidų spalvinis kodavimas

Ruda	Tiesioginė įtampa
Mėlyna	Neutralus
Žalia/geltona	Žemė

Integruota valdymo plokštė



Integruota valdymo plokštė

Jungčių aprašymas		
Jungtis.	Aprašymas	Plokštė
PIN 1	Namų automatikos sistema - 10 V	X-26
PIN 2	Namų automatikos sistema - 0 V	X-26
PIN 3	Namų automatika – sausas kontaktas	X-25
PIN 4	Namų automatika – sausas kontaktas	X-25
PIN 5	Nenaudojamas	-
PIN 6	Nenaudojamas	-
PIN 7	Teno 10 V išvestis (*)	X-16
PIN 8	Teno 0 V išvestis (*)	X-16
PIN 9	“Kairinė versija” NO/NC (*)	X-32
PIN 10	“Kairinė versija” NO/NC (*)	X-32
PIN 11	Nenaudojamas	-
PIN 12	Parinkties jungiklis V1 bendras	X-510
PIN 13	Parinkties jungiklis V2	X-510
PIN 14	Parinkties jungiklis V3	X-510
PIN 15	Teno 230 V išvestis (**)	X-17
PIN 16	Teno įžeminimo išvestis (**)	X-17
PIN 17	Teno neutrali išvestis (**)	X-17
PIN 18	Nenaudojamas	X-28
PIN 19	Nenaudojamas	X-28
PIN 20	Nenaudojamas	X-28

(*) Kaištis nenaudojamas modeliuose Zehnder EVO 2 HRV PR ir Zehnder EVO 2 ERV PR

(**) Modeliuose su standartiniu tenu šie kaiščiai naudojami papildomam, o ne pirminiam šildymui (pasirinktinai).

EN

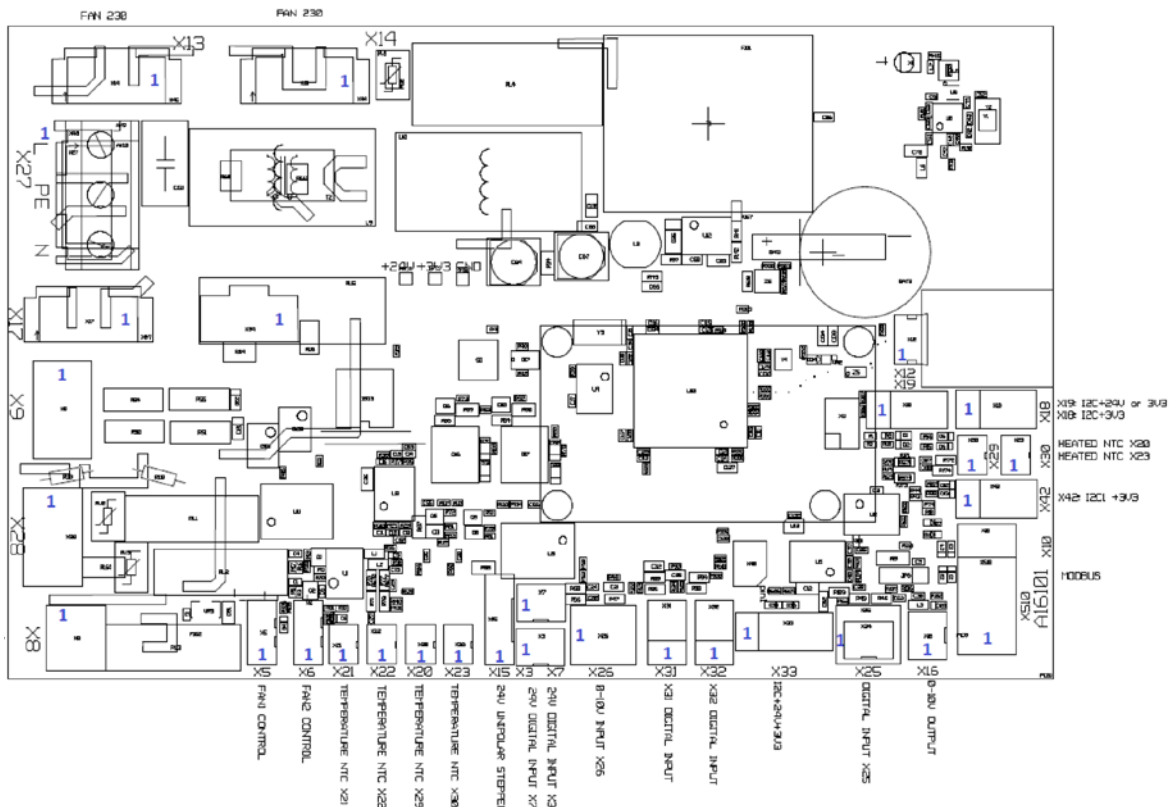
DE

IT

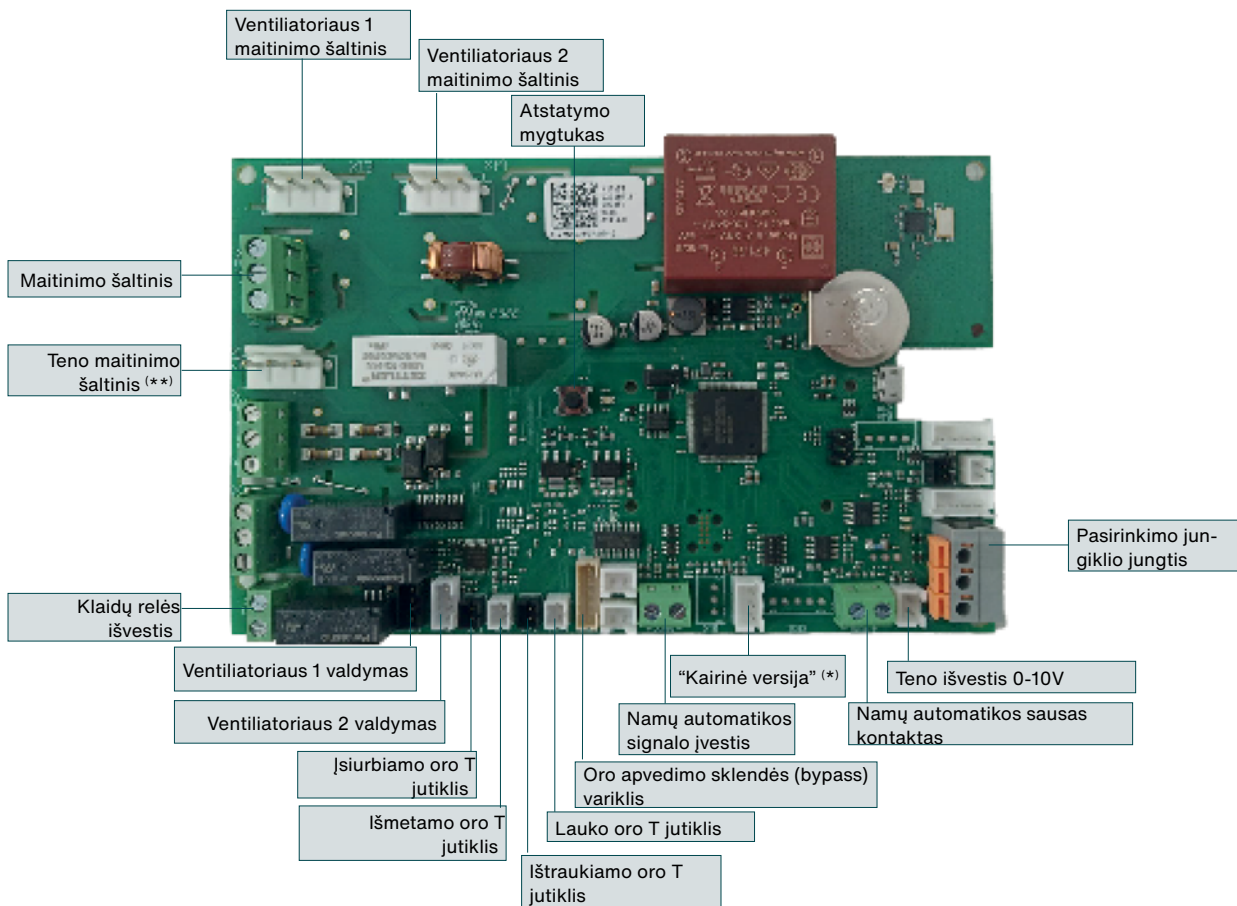
ET

LT

LV



- EN
- DE
- IT
- ET
- LT
- LV

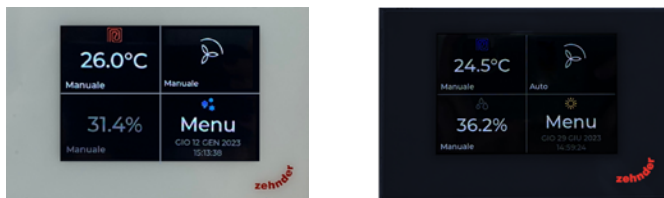


(*) Nenaudojami modeliuose Zehnder EVO 2 HRV PR ir EVO 2 ERV PR.

(**) Naudojama papildomam šildymui modeliuose Zehnder EVO 2 HRV PR ir EVO 2 ERV PR.

7. Valdikliai ir jungtys

Zehnder EVO serijos įrenginius galima prižiūrėti ir valdyti įvairiais būdais. Toliau pateikiamas galimų priedų sąrašas.



7.1. Zehnder Multi Control

"Zehnder EVO" įrenginius galima valdyti naudojant "Zehnder Multi Control", todėl jie gali būti lengvai derinami su "Zehnder ComfoDew" arba "Zehnder ComfoPost" papildomo valymo sistemomis.

Vėdinimo įrenginyje numatytas minimalus ventiliatoriaus greitis. Per jame esančias reles "Multi Control" įjungia antrąjį ir trečiąjį ventiliatoriaus greičius, kai to prašo naudotojas arba kai tai yra reikalinga valymui.

Su Multi Control naudotojai gali pasirinkti rankinį arba automatinį veiklos režimą, rašyti savaitines laiko programas ir matyti filtro keitimo įspėjimąjį signalą.



Jei prie "Multi Control" prijungtas kitas valdiklis, pavyzdžiui, "Zehnder EVO Sense", kuris prižiūri ir valdo įrenginį, kitas valdiklis visada turi būti paliktas rankiniu režimu ir 1 ventiliatoriaus greičiu. Priešingu atveju "Multi Control" veiks netinkamai.



Prie "Zehnder Multi Control" galima prijungti programėlę "Zehnder Multi Controller", kuria galima prižiūrėti ir valdyti vėdinimo įrenginį, šilumos zonas ir šildymo sistemą.

7.2. Belaidis Zehnder EVO Sense



Belaidis išmanusis valdymo įrenginys "EVO Sense" radijo dažniu (RF) palaiko ryšį su vėdinimo įrenginiu ir leidžia pasirinkti penkis skirtingus srauto intensyvumo lygius. Taip pat naudotojams suteikiama galimybė rašyti dienos ir savaitės laiko programas bei nustatyti automatinį darbo režimą.

Tai išmanoji naudotojo ir įrengimo sąsaja, skirta prijungtam vėdinimo įrenginiui prižiūrėti ir konfigūruoti.

7.3. Zehnder EVO Switch RF



EVO Switch 4 nustatymų belaidis mygtukinis valdymo įrenginys su vėdinimo įrenginiu susietas radijo dažniu (RF), su galimybe pasirinkti keturis skirtingus veikimo režimus. Jame yra filtro keitimo įspėjamojo signalo indikatorius.

7.4. Radijo dažnio CO₂ jutiklis



Belaidis CO₂ jutiklis stebi anglies dioksido lygį patalpoje, kurioje jis yra, ir radijo dažniu (RF) siunčia rodmenis į "Zehnder EVO" įrenginį. Įrenginys atitinkamai keičia srauto intensyvumo greitį, pagal jutiklio siunčiamus duomenis parinkdamas tinkamą lygį, kad būtų užtikrinta patalpų oro kokybė.

7.5. Radijo dažnio drėgmės jutiklis



Belaidis jutiklis stebi santykinę oro drėgmę patalpoje, kurioje jis pastatytas, ir radijo dažniu (RF) siunčia rodmenis į "Zehnder EVO" įrenginį. Įrenginys pagal jutiklio siunčiamus duomenis atitinkamai keičia vėdinimo srauto intensyvumo greitį, pasirinkdamas tinkamą lygį, kad būtų užtikrinta patalpų oro kokybė.

EN

DE

IT

ET

LT

LV

7.6. Išmanusis ryšys

Galite paversti savo namus išmaniaisiais namais naudodami įvairius sąsajos metodus:

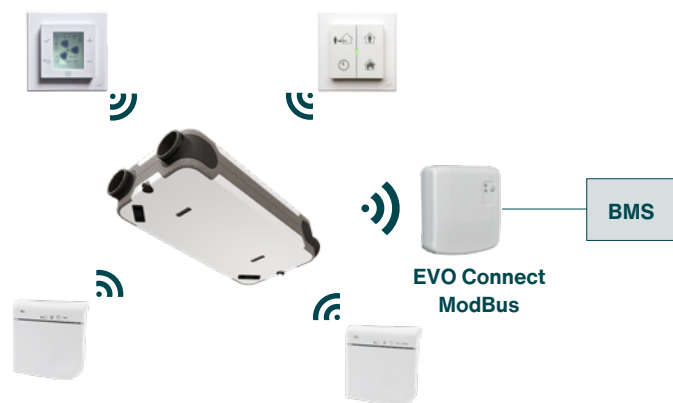
- EVO Connect ModBus;
- EVO Connect ModBus-KNX.

7.6.1. EVO Connect ModBus

„EVO Connect ModBus“ įrenginys yra prijungtas prie pastato valdymo sistemos (BMS) ir per ModBus kalbą naudojamas duomenims, susijusiems su EVO vėdinimo įrenginiu ir bet kuriais prijungtais suderinamais jutkliais (santykinė drėgmė/CO₂) ir belaidžiais valdymo įrenginiais (EVO Sense/EVO Switch), nuskaityti ir įvesti.

Su EVO įrenginiu jis susiejamas radijo dažniais.

! Kad "EVO Connect ModBus" veiktų tinkamai, reikalingas 24 V kintamosios / nuolatinės srovės maitinimo šaltinis.



7.6.2. EVO Connect ModBus - KNX

Įrenginys "EVO Connect ModBus - KNX" yra ModBus/KNX keitiklis, skirtas prijungti prie "EVO Connect ModBus" šliuzo, kad būtų galima išversti šliuzo surinktus duomenis ir juos laidu nusiųsti į BMS.

Jis renka duomenis iš EVO įrenginių ir visų prijungtų suderinamų jutiklių (santykinės drėgmės / CO₂) ir belaidžio valdymo įrenginių (EVO Sense / EVO Switch).

! Kad "EVO Connect ModBus - KNX" veiktų tinkamai, reikia 24 V kintamosios / nuolatinės srovės maitinimo šaltinio.



EN

DE

IT

ET

LT

LV

8. Užsakymas

Sumontavus vėdinimo įrenginį galima pradėti eksploatuoti. Atlikite toliau nurodytus veiksmus.

- Prieš pradėdami, perskaitykite paleidimo instrukcijas.
- Uždarykite visus langus bei lauko ir vidaus duris.
- Patikrinkite, ar visi vožtuvai sumontuoti tinkamai, ir atidarykite juos kiek įmanoma.
- Įsitinkinkite, kad visi vėdinimo įrenginio ir vožtuvo filtrai būtų kaip nauji. Užsikimšę filtrai gali iškraipyti paleidimo rezultatus.
- Nustatykite vėdinimo įrenginio 3 ventiliatoriaus greitį. Automatinis režimas turi būti išjungtas.
- Įsitinkinkite, kad tarpai po durimis arba tranzitinėmis grotelėmis būtų neuždengti ir laisvai pralaidūs orui. Tokios būklės jie turi išlikti per visą tolesnį vėdinimo įrenginio eksploatavimą.
- Pradėkite reguliuoti vožtuvus, pradėdant nuo vožtuvo, kuris gauna mažiausią oro srautą (paprastai tai labiausiai nuo vėdinimo įrenginio nutolęs vožtuvas). Kalibruotu matavimo prietaisu nustatykite reikiamą nominalųjį oro srautą kiekviename vožtuve.
- Norėdami sumažinti energijos sąnaudas, įsitinkinkite, kad vienas šviežio oro tiekimo vožtuvas ir vienas nešvaraus oro ištraukimo vožtuvas būtų atidaryti iki galo.
- Tūrinio srauto reguliavimą kartokite tol, kol visi vožtuvai nustatys reikiamą srauto intensyvumą.
- Jei neįmanoma subalansuoti oro srauto su nustatytais greičiais, ventiliatoriaus sukčius galima reguliuoti pagal reikiamą srauto intensyvumą.

9. Veikimas

Pristatomas įrenginys yra paruoštas prijungti prie maitinimo šaltinio, o jo veikimas yra visiškai automatinis. Iš patalpų ištraukiamas nešvarus oras perduoda šilumos energiją šviežiam orui iš lauko. Šviežias, švarus oras į namo vidų yra tiekiamas iš anksto sureguliuotos temperatūros: vėsus vasaros metu ir šiltas - žiemos metu, todėl energijos sąnaudos yra ženkliai mažesnės. Priklausomai nuo naudojamos valdymo sistemos tipo, gali būti iki penkių vėdinimo srauto intensyvumo lygių. Įrenginys reguliuojamas pastoviu srautu, t. y. oro tiekimo ir ištraukimo srautai pasiekiami nepriklausomai nuo slėgio kritimo ortakiuose.

9.1. Oro apvedimo sklendės (bypass) veikimas

Standartiškai pridedama oro apvedimo sklendė leidžia tiesiogiai tiekti lauko orą, einantį per filtrą, bet ne per šilumokaitį, tam tikru metu, pavyzdžiui, naktį vasarą, kai pageidautina leisti gryną orą, kad būtų sumažinta namo temperatūra („nemokamas vėsinimas“). Oro apvedimo sklendė suveikia automatiškai, esant tam tikroms, toliau lentelėje nurodytoms, sąlygoms.

Oro apvedimo sklendės (bypass) veikimas	
Atidaryta oro apvedimo sklendė (bypass)	<ul style="list-style-type: none"> ▪ Lauko temperatūra yra aukštesnė nei 10 °C. ▪ Vasaros metu, lauko temperatūra yra 3 °C žemesnė už iš namų ištraukiamo oro temperatūrą ir žemesnė už komforto temperatūrą. ▪ Žiemą lauko temperatūra yra 3 °C aukštesnė už iš namų ištraukiamo oro temperatūrą ir aukštesnė už komforto temperatūrą.
Oro apvedimo sklendė (bypass) uždaryta	<ul style="list-style-type: none"> ▪ Lauko temperatūra yra žemesnė nei 10 °C. ▪ Vasaros metu lauko temperatūra yra aukštesnė už iš namų ištraukiamo oro temperatūrą ir aukštesnė už komforto temperatūrą. ▪ Žiemos metu lauko temperatūra yra žemesnė už iš namų ištraukiamo oro temperatūrą ir žemesnė už komforto temperatūrą.

ĮSPĖJIMAS!

"Zehnder EVO" įrenginys automatiškai nustato esamą sezoną.

9.2. Apsaugos nuo užšalimo įrenginys

Kad ant šilumokaičio nesusidarytų ledas, kai lauko temperatūra labai žema, "Zehnder EVO" turi įrengtą apsaugos nuo užšalimo prietaisą.

Jutikliai matuoja temperatūrą šilumokaityje ir, esant reikalui, ventiliatoriai sukuria palaiapsniui didėjančią srautų disbalansą. Kai temperatūra pasiekia -2 °C "Zehnder EVO 2 HRV" ir "Zehnder EVO 2 ERV" modeliuose be teno arba -16 °C "Zehnder EVO 2 HRV PR" ir "Zehnder EVO 2 ERV PR" modeliuose su tenu, įrenginys išsijungia, kad nepažeistų šilumokaičio, ir kartą per valandą patikrina, ar temperatūra vėl pasiekė saugų darbinį lygį.

EN

DE

IT

ET

LT

LV

10. Techninio aptarnavimo procedūra



Reguliariai atlikite visas šiame skyriuje išvardytas prevencines techninio aptarnavimo procedūras. Jei prevencinės techninio aptarnavimo procedūros nebus atliekamos reguliariai, vėdinimo sistemos funkcionavimas suprastės.



Prieš pradėdant techninį aptarnavimą, paleiskite vėdinimo įrenginį 3 ventilatoriaus greičiu bent dvi minutes, kad iš šilumokaicio pasišalintų kondensatas.



Jei reikia pakeisti komponentą, užsisakykite iš Zehnder originalią atsarginę dalį ir visus darbus paveskite atlikti Zehnder įgaliotam techninio aptarnavimo centrui.



Visas techninis aptarnavimas, išskyrus filtro keitimą, turi būti atliekamas specialistų.



Prieš pradėdami techninio aptarnavimo darbus, visada atjunkite vėdinimo įrenginį nuo elektros tinklo, jei nurodyta kitaip. Jei įrenginys naudojamas atidarytas, kyla reali susižalojimo rizika. Įsitikinkite, kad įrenginys netyčia neįsijungtų.



Imkitės reikiamų atsargumo priemonių, kad, dirbant su elektronika, išvengtumėte elektrostatinių iškrovų, nes tai gali sugadinti įrenginius nepataisomai.

10.1. Oro filtro techninis aptarnavimas

Šią techninio aptarnavimo procedūrą gali atlikti pats naudotojas.

Filtrai turėtų būti tikrinami kas tris mėnesius. Jeigu juose yra stambių nešvarumų (vabzdžių, smulkių augalų dalių ir pan.), juos galima išvalyti vakuuminio siurbliu ir įdėti atgal į įrenginį.

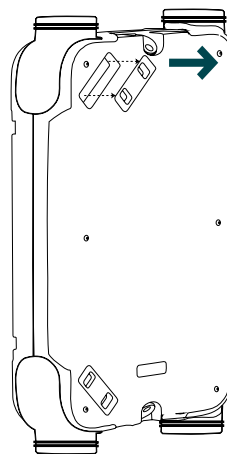
Filtrai turi būti keičiami ne rečiau kaip kas šešis mėnesius. Atsarginius filtras įsigykite iš anksto ir pasirūpinkite, kad tai būtų originalūs "Zehnder" filtri.

ĮSPĖJIMAS!

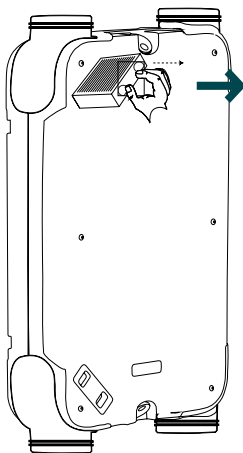
Draudžiama "Zehnder EVO" įrenginį eksploatuoti be filtrų.

1. Jei naudojamas EVO Sense nuotolinio valdymo pultas, paleiskite jame filtro keitimo procedūrą. Priešingu atveju išjunkite įrenginį. Jei įrenginys prijungtas prie "EVO Switch" arba "Multi Control" įrenginio, nepamirškite iš naujo nustatyti filtro keitimo įspėjamojo pranešimo, kai procedūra bus baigta.

2. Nuimkite dangtelius nuo filtro skyriaus.



3. Atsargiai išimkite užterštus filtras naudodami tam skirtus specialius skirtukus. Jei abu filtri yra skirtingi, įsidėmėkite jų padėtis: ISO ePM1 filtras montuojamas lauko oro įleidimo angoje, o ISO grubus filtras - patalpos oro ištraukimo angoje.



EN

DE

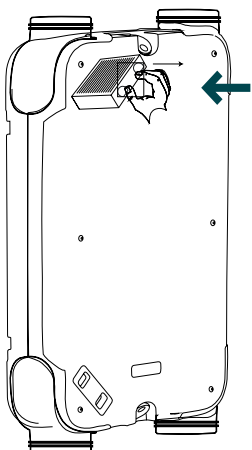
IT

ET

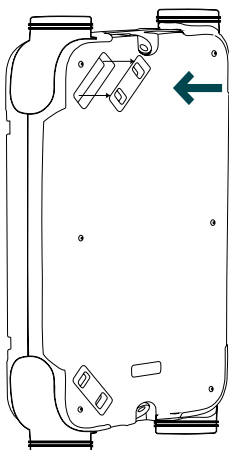
LT

LV


4. Vėl įstatykite filtrus į jų skyrius, išdėstydami juos taip, kaip nurodyta 3 punkte.



5. Ant filtrų skyrių vėl uždėkite dangtelius.



6. Baigkite filtro keitimo procedūrą arba iš naujo įjunkite įrenginį.

 **Keisdami įrenginio filtrus taip pat išvalykite filtrus ant vidinių grotelių arba vožtuvų ir išorinių oro išleidimo grotelių.**

 **Užterštą filtrą išmeskite kaip netinkamas perdirbti atliekas.**

10.2. Vėdinimo įrenginio valymas

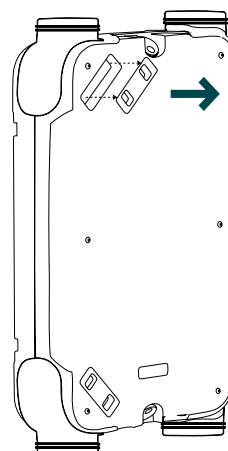
Visi EVO bloko vidiniai komponentai (šilumokaitis, ventiliatoriai ir kt.) turi būti tikrinami ir valomi kas dvejus metus.

ĮSPĖJIMAS!

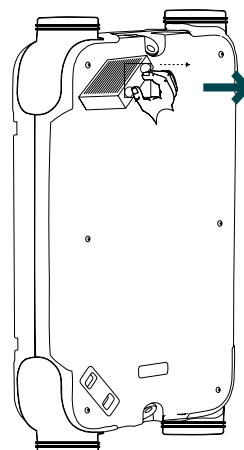
Šiuos techninio aptarnavimo darbus gali atlikti tik Zehnder įgaliotas ir kvalifikuotas specialistas. Kreipkitės į artimiausią techninio aptarnavimo centrą

1. Atjunkite įrenginį nuo elektros tinklo.

2. Nuimkite dangtelius nuo filtro skyriaus.



3. Atsargiai išimkite filtrus naudodami tam skirtus specialius skirtukus. Jei abu filtrai nėra vienodi, atkreipkite dėmesį į jų padėtį: ISO ePM1 filtras montuojamas lauko oro įleidimo angoje, o ISO grubus filtras - vidaus oro ištraukimo angoje.



EN

DE

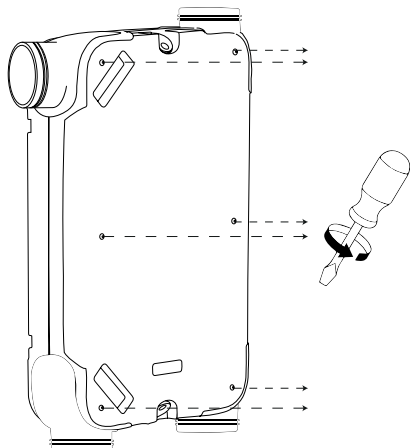
IT

ET

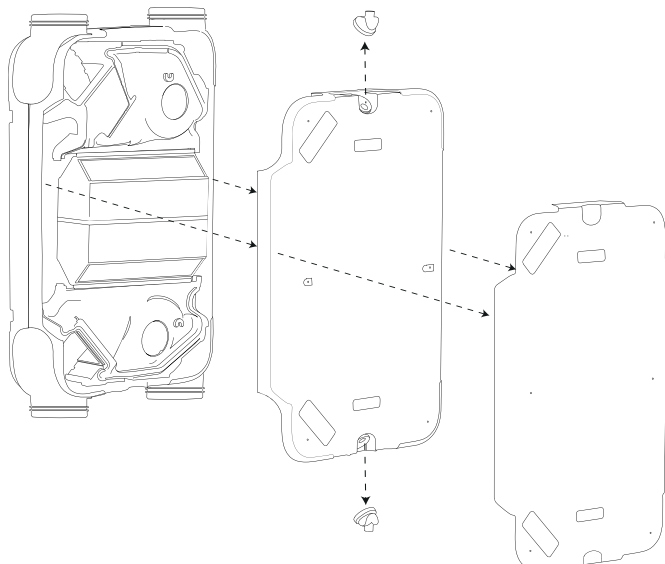
LT

LV

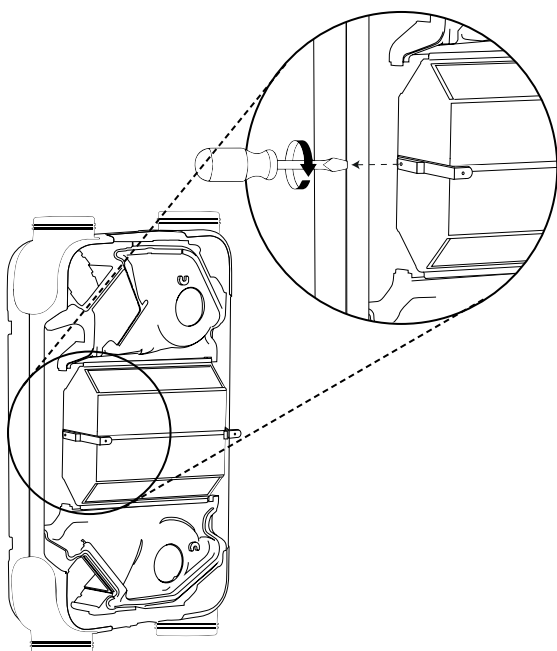
4. Atsukite išorinio metalinio dangtelio varžtus



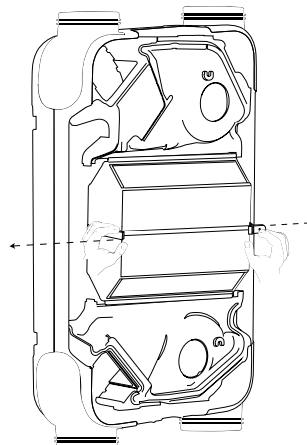
5. Nuimkite metalinį ir polipropileno dangčius, atidengkite šilumokaitį, ventiliatorius ir oro apvedimo sklendę.



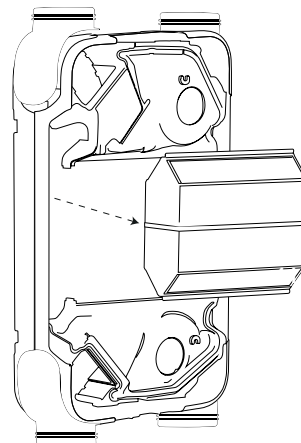
6. Atlaisvinkite ir nuimkite kairės pusės montavimo laikiklį



7. Atskirkite laikiklius, laikančius šilumokaitį, kad jį būtų galima nuimti

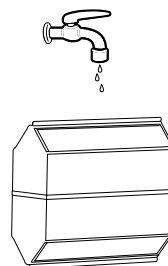


8. Nuimkite šilumokaitį



Šilumokaitį nuimkite itin atsargiai.
Šilumokaičio viduje gali būti šiek tiek kondensato.

9. Išvalykite šilumokaitį po tekančiu vandeniu



10. Patikrinkite, ar matomas įrenginio vidus yra švarus: šilumokaičio skyrius, oro apvedimo sklendė, polipropileno dalys. Jei reikia, nuvalykite minkšta šluoste.

11. Ventiliatorius valykite dulkių siurbliu su šepečiu ir patikrinkite, ar jie nepažeisti. Pastebėjus pažeidimų, juos pakeiskite.

EN

DE

IT

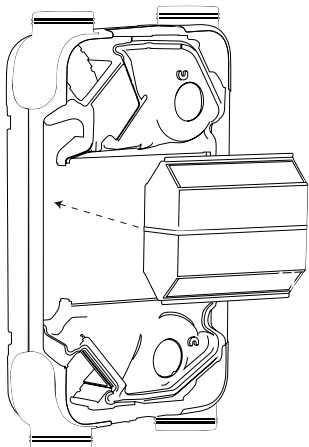
ET

LT

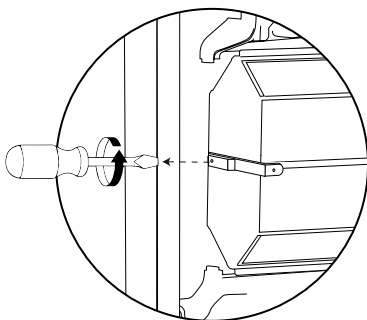
LV

12. Baigę valymo procedūras, surinkite įrenginį iš naujo.

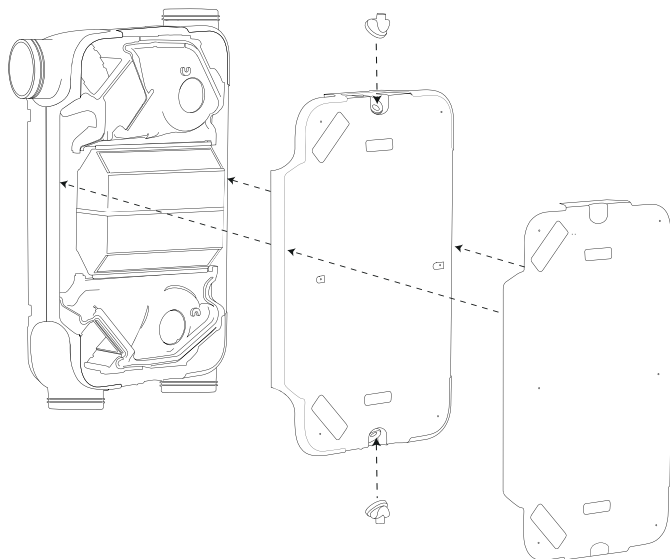
13. Gražinkite šilumokaitį atgal į jo skyrių



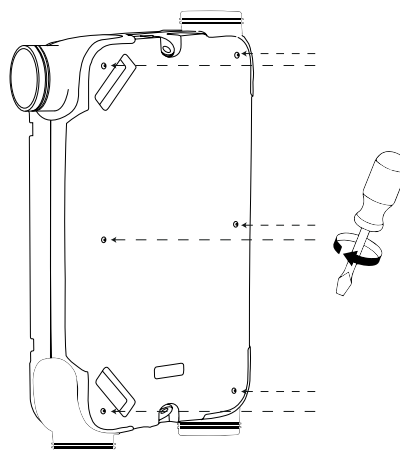
14. Uždėkite laikiklį kairėje ir vėl priveržkite varžtą



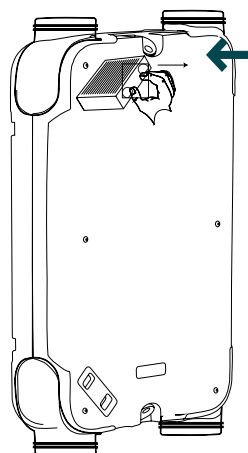
15. Uždėkite polipropileno ir metalinius dangtelius.



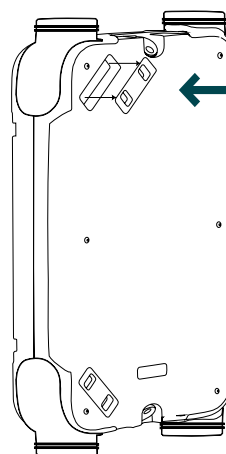
16. Užveržkite metalinio dangtelio varžtus.



17. Vėl įstatykite filtrus į jų skyrius, išdėstydami juos taip, kaip nurodyta 3 punkte



18. Vėl uždėkite filtrų dangtelius



Įsitinkite, kad polipropileno viršutinis dangtis yra idealiai sulygiuotas su apačia, o šonuose nėra tarpų. Kitu atveju patikrinkite, ar laidai tinkamai įstatyti į jiems skirtus griovelius.

EN

DE

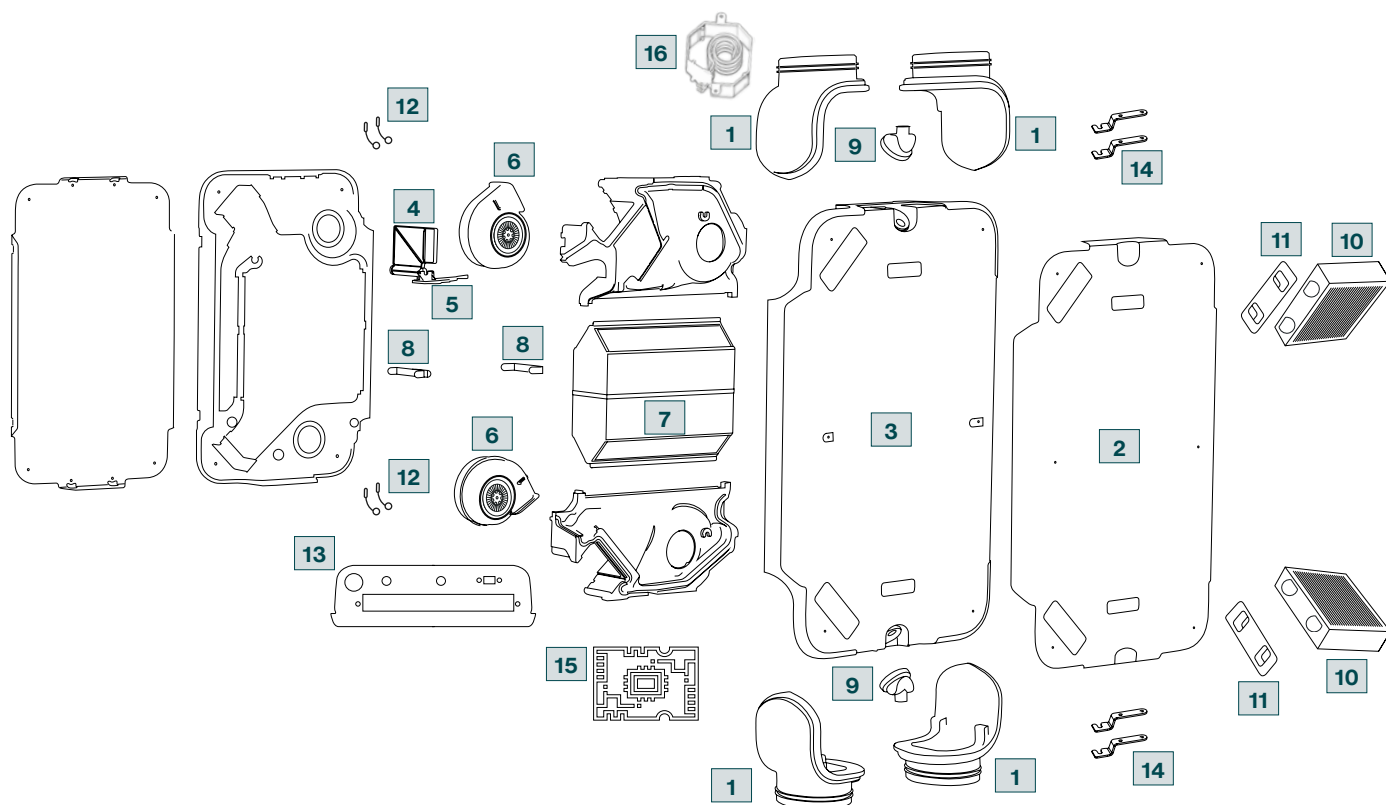
IT

ET

LT

LV

11. Įrenginio apžvalga ir sudedamųjų dalių aprašymas



Nr.	Komponento aprašymas	nr. vienetų skaičius
1	Pasukamos jungiamosios detalės	4 vnt
2	Priekinis dangtelis	1 vnt
3	Polipropileno dangtis ventiliatoriams, šilumokaičiui, elektronikai	1 vnt
4	Oro apvedimo sklendės (bypass) vožtuvas	1 vnt
5	Oro apvedimo sklendės (bypass) vožtuvo variklis	1 vnt
6	Didelio efektyvumo ventiliatoriai	2 vnt
7	Didelio efektyvumo energijos atgavimo šilumokaitis	1 vnt
8	Šilumokaičio montavimo laikikliai	2 vnt
9	Pasukamas kondensato nuvedimas	2 vnt
10	Didelio našumo filtrai	2 vnt
11	Filtro dangtis	2 vnt
12	Temperatūros jutiklis	4 vnt
13	Prijungimo plokštė	1 vnt
14	Garso slopintuvas	4 vnt
15	Elektroninė plokštė	1 vnt
16	Tenas (*)	1 vnt

(*) Yra tik Zehnder EVO 2 HRV PR ir Zehnder EVO 2 ERV PR modeliuose.

LV Uzstādītāja rokasgrāmata

1.	Satura rādītājs	
1.	levads	3
1.1.	Zehnder EVO 2 ierīces lietošana	3
1.2.	Garantijas nosacījumi	3
2.	levads un drošība	3
2.1.	levads	3
2.2.	Drošība	4
2.3.	Uzstādīšanas nosacījumi	4
2.4.	Izmantošanas noteikumi telpās ar kamīniem	5
2.5.	Atbilstība	5
3.	Transportēšana un piegāde	5
3.1.	Transportēšanas drošības norādījumi	5
3.2.	Piegādāto priekšmetu pārbaude	5
3.3.	Ventilācijas iekārtas izpakošana	6
4.	EVO 2 iekārtas raksturojums	6
4.1.	Savienojumi	6
4.2.	Modeļa pārveidošana no "labās puses" uz "kreiso pusi"	7
4.3.	Ventilācijas bloka uzbūves shēma	7
4.4.	Tehniskās specifikācijas	8
4.5.	Modeļi ar Elektrisko priekšsildītāju EVO 2 HRV PR un EVO 2 ERV PR	8
4.6.	Energoefektivitātes klases	8
4.7.	Veiktspējas diagrammas	9
4.8.	Darba punkti	9
4.9.	Entalpijas siltummaiņa darbības princips	9
4.10.	Akustiskie dati	10
5.	Uzstādīšana	10
5.1.	Izmēri	10
5.2.	Sākotnējie novērtējumi	10
5.3.	Uzstādīšana	11
5.4.	Griestu montāža	11
5.5.	Sienas montāža	12
5.6.	Savienojumu izvietojums	14
5.7.	Kondensāta drenāžas pieslēgšana	15
6.	Elektriskie savienojumi	16
7.	Vadības ierīces un savienojamība	18
7.1.	Zehnder Multi Control vadība	18
7.2.	Zehnder EVO Sense bezvadu	18
7.3.	Zehnder EVO Slēdzis RF	18
7.4.	RF CO ₂ sensors	18
7.5.	RF mitruma sensors	18
7.6.	Viedā savienojamība	19
7.6.1.	EVO Connect ModBus	19
7.6.2.	EVO Connect ModBus-KNX	19
8.	Nodošana ekspluatācijā	20
9.	Darbība	20
9.1.	Apvadkanāla darbība	20
9.2.	Aizsardzības pret salu drošības ierīce	20
10.	Tehniskās apkopes procedūra	21
10.1.	Gaisa filtra apkope	21
10.2.	Ventilācijas iekārtas tīrīšana	22
11.	Vienības pārskats un sastāvdaļu apraksts	25

EN

DE

IT

ET

LT

LV

1. Ievads

Brīdinājums!



Pirms uzstādīšanas un nodošanas ekspluatācijā rūpīgi izlasiet šo rokasgrāmata.

Šis dokuments sniedz atbalstu Zehnder EVO 2 kontrolējamās mehāniskās ventilācijas iekārtas drošai, optimālai uzstādīšanai, nodošanai ekspluatācijā un apkopei.

Tālāk tekstā Zehnder EVO 2 var tikt saukts par "ventilācijas iekārtu".

Tā kā mūsu produkti tiek nepārtraukti attīstīti un uzlaboti, jūsu ierīce var atšķirties no šeit sniegtajiem aprakstiem.

Jaunākais uzstādīšanas rokasgrāmatas izdevums ir pieejams lejupielādei Zehnder tīmekļa vietnē.

Tiek izmantotas šādas piktoqrammas:

Simbols	Nozīme
	Svarīga piezīme
	Sistēmas bojājumu vai darbības traucējumu risks
	Personisku traumu risks

!? Jautājumi

Par visiem jautājumiem, jaunākajām rokasgrāmatu versijām un informāciju par tehniskā servisa centriem lūdzam sazināties ar Zehnder centrālo biroju.

Kontaktinformācija:

Zehnder Baltics OÜ

Rannamõisa tee 38d, 13516 Tallinn, Igaunija
 +371 26 334 452
 info.baltics@zehndergroup.com
 www.zehnder.lv

1.1. Zehnder EVO 2 ierīces lietošana

- Ventilācijas iekārtu un jebkuru vadības ierīci drīkst ekspluatēt tikai tad, ja tās ir uzstādītas saskaņā ar spēkā esošajiem valsts un vietējiem noteikumiem, ievērojot šajā rokasgrāmatā un vadības rokasgrāmatā sniegtos norādījumus.
- Ventilācijas iekārtu un vadības ierīci nedrīkst lietot personas (tostarp bērni) ar ierobežotām fiziskajām, maņu vai garīgajām spējām vai bez nepieciešamās pieredzes un prasmēm, ja vien tās nav atbildīgas personas uzraudzībā un nav saņēmušas drošai lietošanai nepieciešamās instrukcijas.
- Bērni nedrīkst spēlēt ar ventilācijas ierīci.
- Bērni nedrīkst veikt nekādas procedūras ar ventilācijas ierīci bez uzraudzības.

1.2. Garantijas nosacījumi

Ražotājs ventilācijas ierīcei sniedz garantiju 24 mēnešus pēc uzstādīšanas vai ne ilgāk kā 30 mēnešus no izgatavošanas datuma. Garantijas tiesības var izmantot tikai attiecībā uz materiāla un/vai konstrukcijas defektiem, kas radušies garantijas laikā.

Ja tiek pieprasīti garantijas darbi, ventilācijas iekārtu nedrīkst atvērt vai izjaukt bez ražotāja sertificēta servisa speciālista uzraudzības vai atļaujas. Garantija attiecas tikai uz remontdarbiem un rezerves daļām, ko veic pilnvarots tehniskā servisa centrs, izmantojot oriģinālas Zehnder rezerves daļas.

Garantija zaudē spēku, ja:

- Garantijas termiņš ir beidzies.
- Ventilācijas ierīce tiek lietota bez oriģināla Zehnder filtra vai bez ārējās sienas restes.
- Nav izmantotas oriģinālas Zehnder rezerves daļas.
- Ventilācijas iekārtā ir veiktas neatļautas modifikācijas vai izmaiņas.
- Defektu cēlonis ir nepareiza uzstādīšana, nepareiza lietošana vai slikta sistēmas apkope.

2. Ievads un drošība

2.1. Ievads

Zehnder EVO 2 ir kontrolējama mehāniskās ventilācijas iekārta ar siltuma atgūšanu, kas paredzēts pastāvīgas, energoefektīvas gaisa apmaiņas nodrošināšanai nelielās ēkās, dzīvokļos un mājās. Ventilācijas iekārta izsūc mitru, netīru gaisu no tādām telpām kā virtuves un vannas istabas un vienlaikus piegādā tādu pašu svaiga gaisa apjomu uz dzīvojamām telpām, piemēram, viesistabām, guļamistabām utt. Gaiss cirkulē caur spraugām zem durvīm vai īpašām tranzīta režģiem ar trokšņu slāpētāju.

Mehāniski kontrolētās ventilācijas iekārtu sistēmā ietilpst:

- ventilācijas iekārta;
- kanāli āra gaisa ieplūdei un gaisa izvadīšanai no iekārtas;
- sekundārie pieplūdes un nosūces gaisa vadi dažādās telpās;
- vārsti svaiga gaisa piegādei uz atpūtas telpām, guļamistabām un citām dzīvojamām telpām;
- vārsti, lai aizvadītu nosūces gaisu no virtuvēm, vannas istabām un citām mitrām telpām;
- āra restes gaisa ieņemšanai un izmešanai.



Pirms sākt lietot ventilācijas ierīci, izlasiet rokasgrāmata.



Pārlicinieties, ka spraugas zem durvīm vai pārplūdes restes nekad nav aizsprostotas, lai nodrošinātu gaisa cirkulāciju ēkā.



Ventilācijas iekārtas āra pusē var veidoties kondensāts. Šādā gadījumā nav jāveic nekādas darbības.



Ventilācijas iekārta jāiznīcina videi draudzīgā veidā. Neizmetiet ierīci kopā ar sadzīves atkritumiem.

2.2. Drošība

Rūpīgi izlasiet visus drošības norādījumus, lai nodrošinātu drošu un pareizu ventilācijas iekārtas lietošanu.



BRĪDINĀJUMS! Bīstams elektriskais spriegums. Dabas katastrofas gadījumā atvienojiet strāvas padevi.



Ievērojiet drošības noteikumus, piesardzības pasākumus un instrukcijas, kas sniegtas šajā rokasgrāmatā. To neievērošana var izraisīt ierīces bojājumus vai personas traumas.



Uzstādīšana, nodošana ekspluatācijā un apkope jāveic speciālistiem, ja vien instrukcijās nav norādīts citādi.



Neatveriet ventilācijas ierīci. Speciālistam ir jānodrošina, lai visas detaļas, kas var radīt personiskas traumas, tiktu droši novietotas iekārtas iekšpusē.



Ja vien šajā instrukcijā nav noteikts citādi, vienmēr uzturiet ierīci darba kārtībā. Pretējā gadījumā var uzkrāties mitrums un veidoties pelējums.



Ir aizliegts pārveidot ventilācijas iekārtu un tai pievienotās vadības ierīces. Fiziskas vai programmatūras izmaiņas izraisa garantijas seguma zaudēšanu un var izraisīt darbības traucējumus vai personas traumas.



Ja strāvas kabelis ir bojāts, tas jānomaina Zehnder pilnvarotam speciālistam.



Uzstādot ierīci, jāievēro spēkā esošie valsts un vietējie noteikumi un šī rokasgrāmata. Uzstādiet drošības slēdzi, lai atvienotu strāvas padevi iekārtai.



Pirms apkopes vai remonta darbu uzsākšanas vienmēr atvienojiet ventilācijas ierīci no elektrofikla. Pārlicinieties, ka to nevar nejauši iedarbināt no jauna.



Neiedarbiniet ventilācijas iekārtu, ja tā ir atvērta: elektriskais spriegums un ventilatoru kustība var radīt miesas bojājumus.



Veiciet atbilstošus pasākumus, lai novērstu elektrostatisko izlādi, strādājot ar ierīci. Statiskā elektrība var sabojāt elektriskās sastāvdaļas.

2.3. Uzstādīšanas nosacījumi

Ventilācijas iekārta ir paredzēta lietošanai mājās, birojos, nelielās darbnīcās un līdzīgās vietās, ja:

- nav saunu vai peldbaseinu;
- mitruma līmenis nav pārmērīgi augsts;
- putekļu līmenis nav pārmērīgi augsts;
- nav kaitīgu vai potenciāli kodīgu vielu.

Lai noteiktu, vai ventilācijas iekārtu var izmantot paredzētajā vietā, pārbaudiet, vai:

- ir pieejama 230 V, 50 Hz elektrības padeve; jebkurš cits darba spriegums vai frekvence var radīt neatgriezeniskus iekārtas bojājumus;
- telpas temperatūra visu laiku ir atļautajā diapazonā (skatīt tabulu "Tehniskās specifikācijas");
- mitrums telpā nav pārmērīgi liels, nav kondensācijas un vienmēr ir atļautajā diapazonā (sk. tabulu "Tehniskās specifikācijas"). Neuzstādiet ierīci vietās, kur mitrums ir virs vidējā, piemēram, vannas istabās vai ģērbtuvēs.

Pārbaudiet, vai uzstādīšanas vietā ir pietiekami daudz vietas gaisa sadales sistēmai.

Atstājiet ventilācijas ierīci pilnībā pieejamu, lai varētu veikt tehniskās apkopes procedūras.

Zehnder EVO 2 var uzstādīt pie sienas vai griestiem, izmantojot komplektā iekļautos montāžas kronšteinus.



Lai pārbaudītu dažādās uzstādīšanas iespējas, skatiet konkrēto sadaļu.

EN

DE

IT

ET

LT

LV

2.4. Izmantošanas noteikumi telpās ar kamīniem

Ventilācijas iekārtas drošai lietošanai jāņem vērā vietējās prasības, kas ietvertas attiecīgajos noteikumos, likumos un direktīvās.

Zehnder EVO 2 var uzstādīt izklaides vietās, dzīvokļos vai līdzīgās ēkās, kur ir uzstādīti kamīni vai citas sadedzināšanas sistēmas, kas darbojas ar apkārtējo gaisu, tikai tad, ja:

- drošības ierīces nepieļauj vienlaicīgu apkārtējā gaisa kamīnu un gaisa nosūces sistēmas darbību.

Vai

- dūmgāzu izplūdi no sadedzināšanas sistēmas, kas darbojas ar apkārtējās vides gaisu, uzrauga īpašas drošības ierīces. Ja sadedzināšanas sistēmās sadedzina šķidro vai gāzveida kurināmo, sadedzināšanas sistēma vai ventilācijas sistēma ir jāizslēdz, ja nostrādā drošības ierīce. Sadedzināšanas sistēmās, kurās sadedzina cieto kurināmo, ventilācijas sistēma ir jāizslēdz, ja nostrādā drošības ierīce.

Kontrolētas mehāniskās ventilācijas iekārtas nevar uzstādīt, ja ēkas blokā ir apkures sistēmas, kurās izmanto apkārtējās vides gaisu, kas savienots ar dūmgāzu izvades sistēmām ar vairākiem savienojumiem. Lai nodrošinātu pareizu darbību, jābūt iespējai izslēgt sadegšanas gaisa cauruļvadus un dūmgāzu novadīšanas sistēmas atklātās kameras sistēmās.

Jābūt iespējai nodzēst cietā kurināmā kamīnus, izmantojot atslēgšanas ierīci, ko var darbināt tikai manuāli. Izslēgšanas ierīces novietojumam jābūt skaidri saskatāmam no vadības roktura novietojuma. Šī prasība ir izpildīta, ja tiek izmantota pretsaušu atslēgšanas ierīce (kvēpu bloķēšanas ierīce).

Ugunsdrošības prasības: jāievēro valsts un vietējie noteikumi par kontrolējamās mehāniskās ventilācijas sistēmas uzstādīšanu un ugunsdrošību.

2.5. Atbilstība

Ražotāja Zehnder EVO ventilācijas iekārtas



Siber Zone S.l.u.

C/Can Marcia 2
08520 Las Frenquesas des Vallés
Apto de Correos n°9
Barcelona, Spānija

atbilst ES atbilstības deklarācijas un EAC sertifikāta direktīvām un noteikumiem.

3. Transportēšana un piegāde

3.1. Transportēšanas drošības norādījumi



Uzglabāšanas un pārvadāšanas atļautais temperatūras diapazons ir no -20 °C līdz +50 °C.



Pirms ventilācijas iekārtas transportēšanas izlasiet drošības informāciju un norādījumus.



Ventilācijas ierīci vienmēr pārnēsājiet ar citas personas palīdzību. Transportēšanas un izkraušanas laikā ar ventilācijas iekārtu jārīkojas uzmanīgi.



Ventilācijas iekārtas malas var būt asas. Lai izvairītos no iegriezumiem, valkājiet aizsargcimdus.

3.2. Piegādāto priekšmetu pārbaude

Kastē ir:

- Zehnder EVO 2 ventilācijas ierīce;
- Ātrās uzstādīšanas rokasgrāmata;
- EcoDesign etiķete;
- Uzstādīšanas kronšteini;
- Maisiņš ar pretvibrācijas šuvēm un stiprinājuma skrūvēm.

Pārbaudiet datu plāksnīti, lai pārliecinātos, ka piegādātā ierīce ir pareizā:

- EVO 2 HRV: iekārta ar siltuma atgūšanas siltummaini;
- EVO 2 ERV: iekārta ar entalpijas siltummaini;
- EVO 2 HRV PR: iekārta ar siltuma atgūšanas siltummaini un elektrisko priekšsildītāju;
- EVO 2 ERV PR: iekārta ar entalpijas siltummaini un elektrisko priekšsildītāju.



Ja ventilācijas iekārtai ir acīmredzami bojājumi vai trūkst piederumu, nekavējoties sazinieties ar piegādātāju.

Zehnder EVO 2 ventilācijas iekārta tiek piegādāta bez regulēšanas piederumiem. Papildaprīkojumu skatiet attiecīgajā sadaļā.

EN

DE

IT

ET

LT

LV

3.3. Ventilācijas iekārtas izpakošana

Atveriet kartona iepakojuma augšējo daļu. Paceliet ventilācijas ierīci no iepakojuma un novietojiet to uz tīras, mīksts virsmas, lai to nesabojātu.

Kartona kārbu paturiet, lai to izmantotu kā šablonu, urbjot nepieciešamos caurumus ierīces uzstādīšanas laikā.



Rīkojieties ar ventilācijas iekārtu uzmanīgi. Lai paceltu iekārtu, ir nepieciešami divi cilvēki. Neceliet iekārtu aiz savienojumiem, jo tas var tos sabojāt.



Izmetiet iepakojuma materiālu videi draudzīgā veidā.



Uzmanieties, lai nezaudētu komplektācijā iekļautos piederumus.

4. EVO 2 iekārtas raksturojums

Zehnder EVO 2 iekārta ir divplūsmu regulējama mehāniskās ventilācijas iekārta ar līdz pat 87% efektivitāti (Eksploatācijas īpašību deklarācija saskaņā ar ES 1254/2014), ar maksimālo ventilācijas plūsmas ātrumu 200^{m³/h}, enerģiju taupošiem ventilatoriem un automātisku apvadkanālu, kas nodrošina "brīvu dzesēšanu".

EVO 2 iekārtas raksturojums:

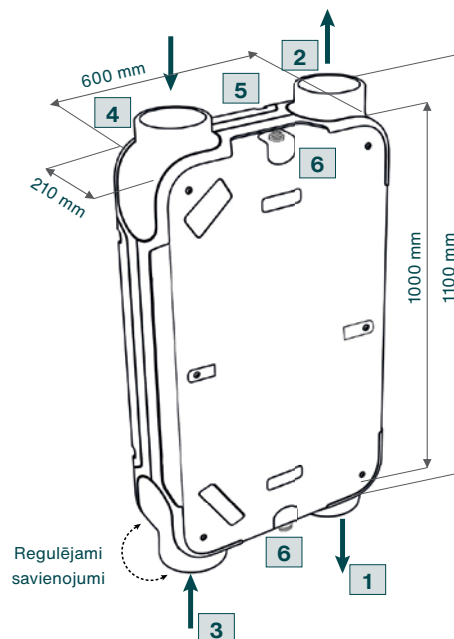
- nepārtraukta gaisa plūsmas regulēšana, izmantojot vadības paneli;
- filtra statusa indikators;
- vieda aizsardzības pret sasalšanu regulēšanas sistēma, kas nodrošina optimālu darbību pat pie zemām temperatūrām. Ja iegādātā iekārta ir "PR" versija, nepieciešamības gadījumā tiek aktivizēts elektriskais priekšsildītājs;
- zems trokšņa līmenis;
- automātiskais apvadkanāls iekļauts standarta aprīkojumā;
- pastāvīga plūsmas ātruma regulēšana;
- augsta veiktspēja un zems enerģijas patēriņš.

Zehnder EVO 2 ir pieejams 4 versijās:

- EVO 2 HRV: iekārta ar siltuma atgūšanas siltummaini;
- EVO 2 ERV: iekārta ar entalpijas siltummaini;
- EVO 2 HRV PR: iekārta ar siltuma atgūšanas siltummaini un elektrisko priekšsildītāju;
- EVO 2 ERV PR: iekārta ar entalpijas siltummaini un elektrisko priekšsildītāju.

Šī uzstādīšanas instrukcija attiecas uz visām Zehnder EVO 2 iekārtas versijām.

4.1. Savienojumi



Standarta "labās puses" konfigurācija

Simbols	Nozīme
1	Svaigā gaisa pieplūde dzīvoklī
2	Netīrā gaisa izvadīšana ārā
3	Netīrā gaisa nosūce no dzīvokļa
4	Svaigā gaisa ieņemšana no āra
5	Elektriskie savienojumi
6	Kondensāta noteka*

* EVO 2 HRV un EVO 2 HRV PR iekārtām ir nepieciešams pieslēgums kondensāta novadīšanas sistēmai. Papildu informāciju skatiet attiecīgajā sadaļā.

EN

DE

IT

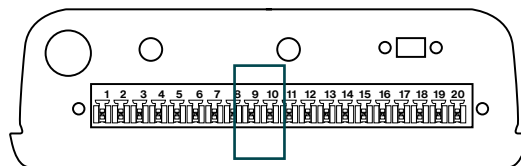
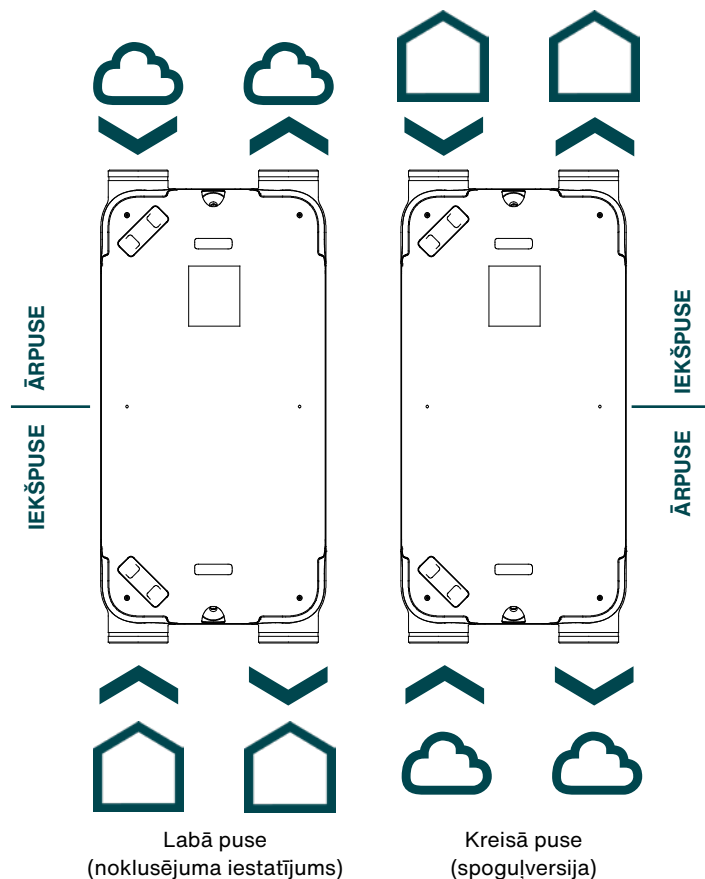
ET

LT

LV

4.2. Modeļa pārveidošana no "labās puses" uz "kreiso pusi"

Lai mainītu iestatījumu no "labās puses" uz "kreiso pusi", vienkārši savienojiet 9. un 10. kontaktus.



SVARĪGI!

Ja ierīce tiek montēta pie sienas, to var uzstādīt **TIKAI** ar elektrības savienotājiem uz augšu. Iekārta ar siltummaini (HRV) **OBLIGĀTI** jāuzstāda tā, lai ārējā gaisa ieplūdes un izplūdes gaisa izplūdes savienojuma punkts būtu vērsti uz leju ("kreisā puse").

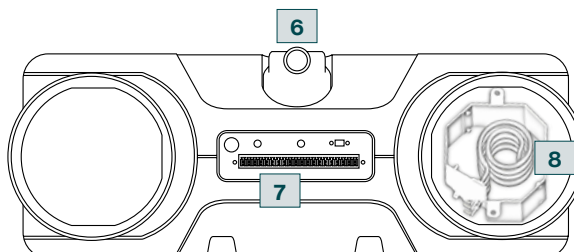
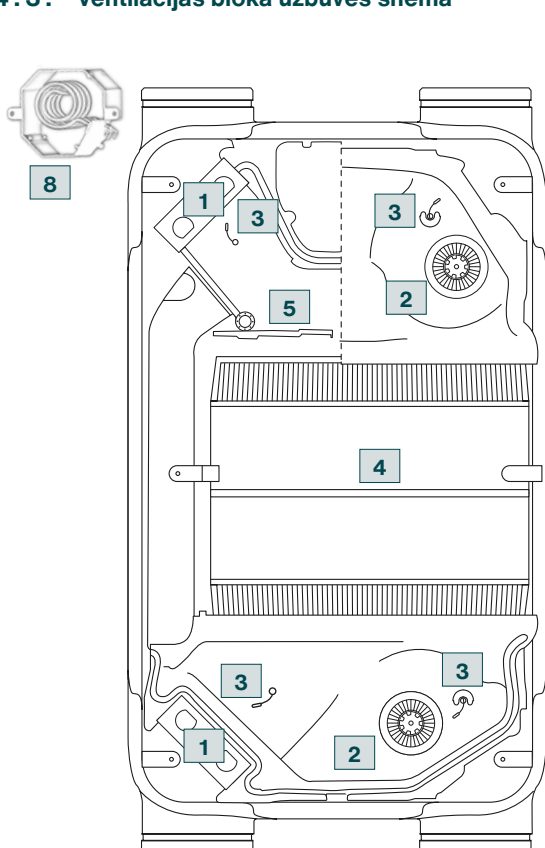
Skat. attiecīgo sadaļu.

SVARĪGI!

Modeļu pārveidošana no "labās puses" uz "kreiso pusi" nav iespējama modeļiem:

EVO 2 HRV PR un EVO 2 ERV PR

4.3. Ventilācijas bloka uzbūves shēma








Simbols	Nozīme
1	Augstas veiktspējas filtri
2	Enerģiju taupoši ventilatori
3	Temperatūras sensori
4	Augstas efektivitātes siltummainis
5	Automātisks apvadkanālas (Bypass)
6	Kondensāta noteka*
7	Elektriskie savienojumi
8	Priekšsildītājs**

* EVO 2 HRV un EVO 2 HRV PR iekārtām ir nepieciešams pieslēgums kondensāta novadīšanas sistēmai

** Iekļauts standarta komplektācijā tikai modeļiem EVO 2 HRV PR un EVO 2 ERV PR

4.4. Tehniskās specifikācijas

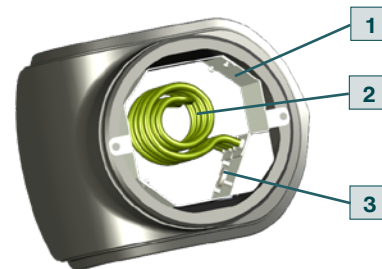
Zehnder EVO 2					
Izmēri (garums x platums x dziļums)	1000 x 600 x 210 mm				
Svars	24 kg				
Uzstādīšana	Horizontāli pie griestiem vai vertikāli pie sienas (*)				
Uzstādīšanas apkārtējās temperatūras diapazons	no 10 līdz 45 °C				
Uzstādīšanas apkārtējās vides mitruma diapazons	< 90 % bez kondensācijas				
Kondensāta novadīšanas savienojums (Ø)	1/2"				
Gaisa vadu savienojumu izmērs (Ø)	Ø 160				
Tīkla spriegums	230 V / 50 Hz				
Maksimālais gaisa plūsmas ātrums	200 m³/h / 55.56 l/s				
	Zehnder EVO 2 HRV		Zehnder EVO 2 ERV		
Standarta filtri	2x ISO Coarse 65% (G4) plūsmas un izplūdes filtriem				
Papildu filtri	ISO ePM1 55 % (F7) / ISO Coarse 65% (G4) plūsmas un izplūdes filtriem				
Ventilācijas režīms					
ComfoSense S vadība	0	1	2	3	Pastiprināts
Ventilācijas plūsmas ātrums (m³/h)	30	75	100	150	200

(*) Skat. attiecīgo sadaļu par iespējām un piesardzības pasākumiem ierīces montāžai pie sienas

4.5. Modeļi ar Elektrisko priekšsildītāju EVO 2 HRV PR un EVO 2 ERV PR

EVO 2 HRV PR un EVO 2 ERV PR modeļiem elektriskais priekšsildītājs ir uzstādīts kā standarta aprīkojums uz āra gaisa ieņemšanas savienojuma. Tas paaugstina ienākošā gaisa temperatūru par 10 °C, aizsargājot rekuperatoru gada aukstākajās dienās.

1. Sildītāji no AISI304L nerūsējošā tērauda
2. Jauda 1.0kW
3. Automātiskais atslēgums pie 40 °C novērš pārkaršanu



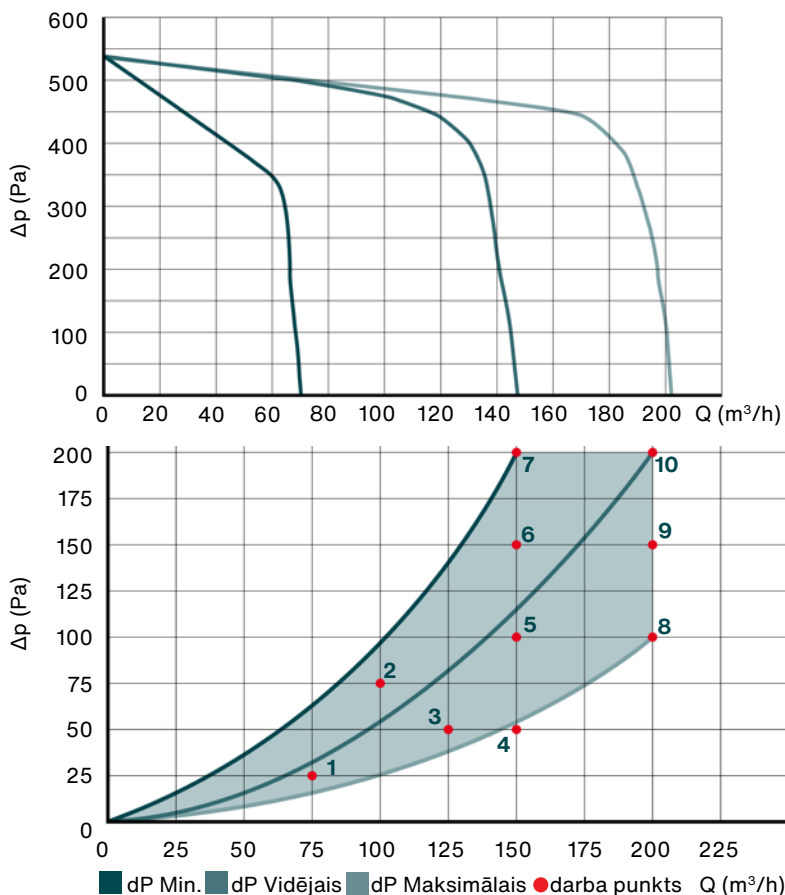
4.6. Energoefektivitātes klases

Energoefektivitātes klases saskaņā ar Eiropas Savienības Regulu Nr. 1254/2014.

Enerģijas dati		Enerģijas dati	
ES enerģijas patēriņa marķējums EVO 2 HRV		ES enerģijas patēriņa marķējums EVO 2 ERV	
Energoefektivitātes klase	A+ **	Energoefektivitātes klase	A+ **
Maksimālais gaisa plūsmas ātrums [m³/h]	200	Maksimālais gaisa plūsmas ātrums [m³/h]	200
Sertificētā energoefektivitāte	87%	Sertificētā energoefektivitāte	79%
Skaņas jaudas līmenis LWA dB(A)	49	Skaņas jaudas līmenis LWA dB(A)	49

** atkarībā no izvēlētā vadības bloka/ sensoru tipa.

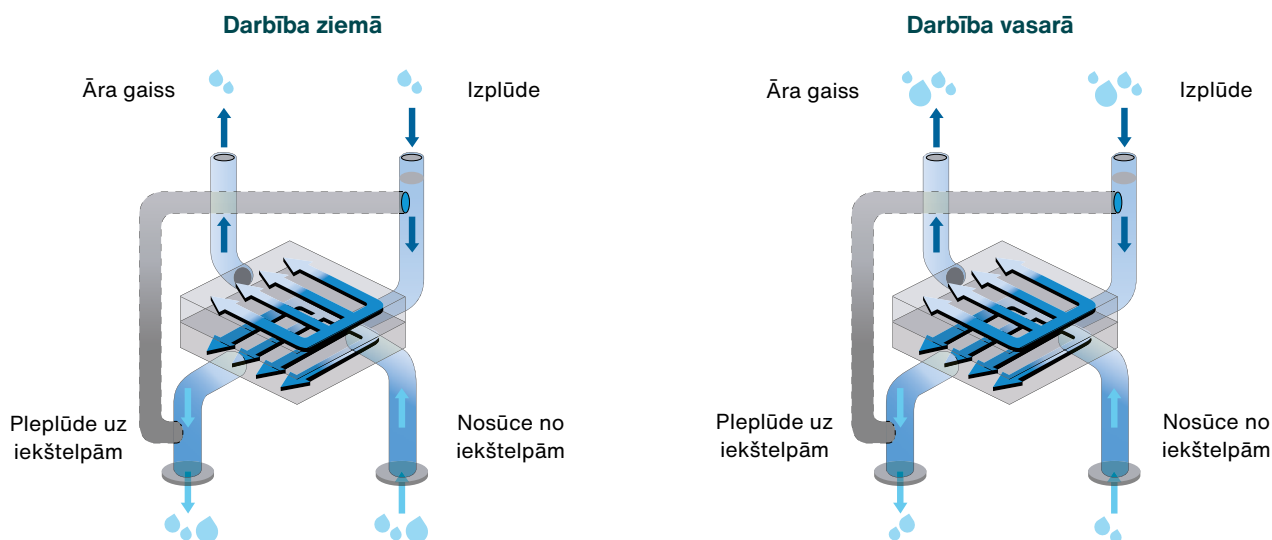
4.7. Veiktspējas diagrammas



4.8. Darba punkti

Darba punkti				
Punkts	Plūsmas ātrums [m³/h]	Spiediens [Pa]	Jauda [W]	SFP [W/l/s]
1	75	25	12.61	0.61
2	100	75	25.31	0.91
3	125	50	29.16	0.84
4	150	50	39.20	0.94
5	150	100	49.65	1.19
6	150	150	60.92	1.46
7	150	200	72.60	1.74
8	200	100	81.33	1.46
9	200	150	93.10	1.68
10	200	200	106.48	1.92

4.9. Entalpijas siltummaiņa darbības princips



Ziemā siltais, mitrais gaiss no virtuvēm un vannas istabām tiek izvadīts no mājas vides. Siltummaiņī šis gaiss sastopas ar aukstu, ļoti sausu āra gaiss un nodod tam savu siltumu un daļu mitruma. Tas nozīmē, ka āra gaiss tiek piegādāts telpā ar tādu temperatūru un mitrumu, kas nodrošina visaugstāko komforta līmeni iekštelpās, pārmērīgi neizžāvējot gaisu. Entalpijas siltummaiņš palīdz apkures sistēmai uzturēt ideālu gaisa temperatūru pat visaukstākajā laikā.

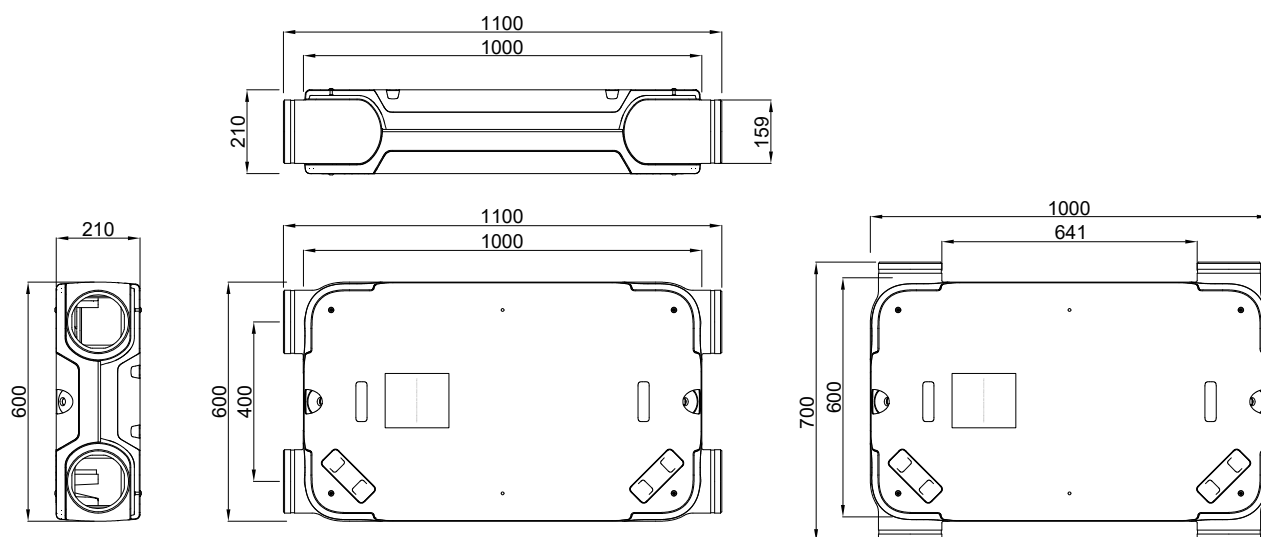
Vasarā no iekštelpām tiek izvadīts vēss, izžāvēts gaiss. Siltummaiņī tas satiekas ar karsto, mitro āra gaiss, to iepriekš atdzesējot un iepriekš izsausinot. Tādējādi ventilācijas iekārta palīdz aktīvai dzesēšanas un gaisa sausināšanas sistēmai uzturēt iekšējā komfortu ar ļoti zemu enerģijas patēriņu. Entalpijas siltummaiņš ir paredzēts gaisa pēcapstrādei, kā gaisa susinātājs kombinācijā ar starojuma dzesēšanas iekārta vai gaisa kondicionēšanas ventilāciju.

4.10. Akustiskie dati

Skaņas līmenis								
Atsauces plūsmas ātrums	m ³ /h	75	125	150	150	200	200	
References spiediens	Pa	25	50	50	100	150	200	
Skaņas jauda L _w (A)	lekārtas korpuss	dB(A)	33	42	44	46	51	56
	Nosūce/Āra gaiss	dB(A)	34	43	45	48	50	57
	Pieplūde/Izmešana	dB(A)	46	51	59	62	65	66
Skaņas spiediens L _p (A) 1,5 m attālumā	lekārtas korpuss	dB(A)	18	27	29	31	36	41

5. Uzstādīšana

5.1. Izmēri



5.2. Sākotnējie novērtējumi



Pirms jebkuras uzstādīšanas vai demontāžas procedūras veikšanas atvienojiet elektroenerģijas padevi.



Pārliecinieties, ka ierīce nemonāk saskarē ar ūdeni vai ūdens šļakatām.



Uzstādīšanas laikā nepieļaujiet, lai bērni un mājdzīvnieki atrastos uzstādīšanas vietā.



Pārliecinieties, ka ap ierīci, tās priekšā un/vai zem tās ir pietiekami daudz vietas apkopei.

Lai pareizi uzstādītu ventilācijas ierīci, to nebojājot, ir nepieciešami divi cilvēki.

Zehnder EVO 2 var uzstādīt tieši pie sienas vai griestiem, izmantojot komplektā pievienotos montāžas kronšteinus. Lai izvairītos no vibrācijām, ierīce jāuzstāda pie sienas vai griestiem, kuru blīvums ir vismaz 200^{kg/m²}; nepietiek tikai ar betona vai metāla konstrukciju. Šādā gadījumā ir nepieciešami papildu pasākumi, piemēram, dubultas stiebrojuma plāksnes vai papildu kronšteini.

Lai novērstu ventilatora vibrāciju un troksni, ierīce ir jāizlīdzina vertikāli vai horizontāli (atkarībā no uzstādīšanas vietas).

5.3. Uzstādīšana



Neuzstādiet ierīci ārpus telpām. Pārbaudiet, vai uzstādīšanas vides temperatūra un mitrums vienmēr ir atļautajās darbības robežās.

Ventilāciju var uzstādīt horizontāli (uz griestu kronšteinu) vai vertikāli (uz sienas kronšteinu).

Ja izvēlētā iekārta ir EVO 2 HRV vai EVO 2 HRV PR, uzstādīšanas vietā jābūt efektīvai kondensāta novadīšanas sistēmai ar sifonu un pietiekamu slīpumu, kurai vienmēr jābūt netraucētai un neaizsalstošai, lai nodrošinātu pastāvīgu pareizu kondensāta novadīšanu.



Pārliecinieties, ka kondensāta novadīšanas slīpums nav paralēls ierīcei vai vērsts atpakaļ pret to.

Ja izvēlētā iekārta ir EVO 2 ERV vai EVO 2 ERV PR, kondensāta novadīšana nav nepieciešama.

Uzstādīšanas vietā jānodrošina pietiekami daudz vietas gan regulārai apkopei (filtru nomaiņai), gan ārkārtas apkopei (tee vienības atvēršanai, siltummaiņa un ventilatoru izvilksanai un tīrīšanai u. c.).

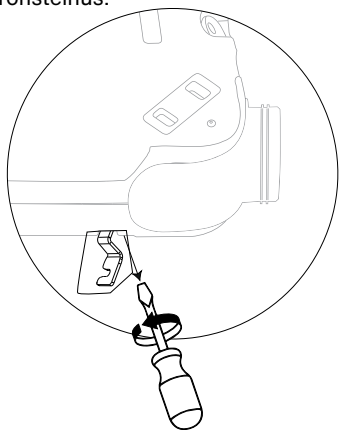


Ierīce ir paredzēta montāžai pie sienas vai griestiem. To NAV IESPĒJAMS uzstādīt uz grīdas.

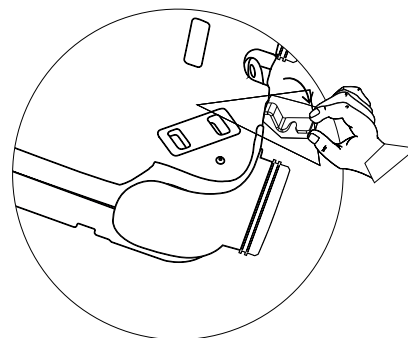
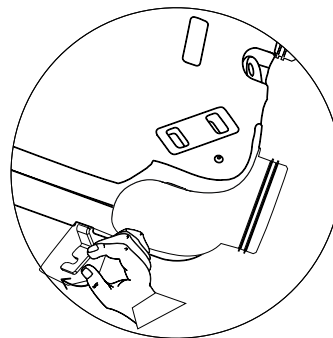
5.4. Griestu montāža

1. Ierīce tiek piegādāta ar montāžas kronšteinu, kas pēc noklusējuma uzstādīti garajā pusē. Lai to pārvietotu uz īso pusi, rīkojieties šādi.

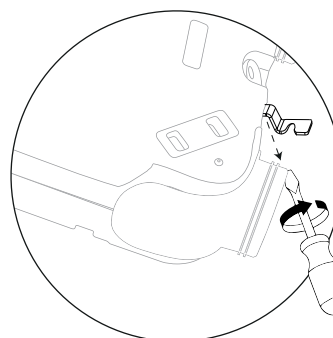
- Atskrūvējiet kronšteinus.



- Pārvietojiet kronšteinus uz īso pusi, saglabājot tos vienā un tajā pašā virzienā.

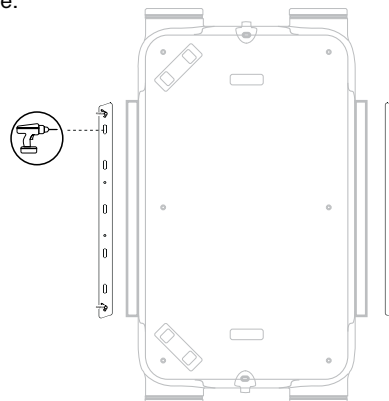


- Ieskrūvējiet kronšteinus jaunajā pozīcijā.



2. Virsmā izurbiet caurumus, kā atzīmēts, un ieskrūvējiet montāžas kronšteinus ovālajos caurumos.

- Garā pusē:



EN

DE

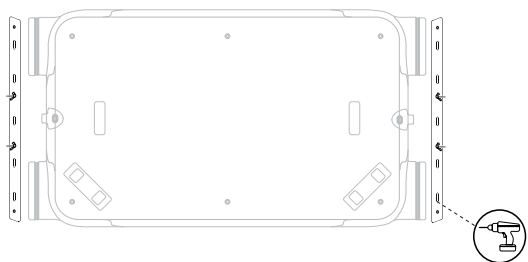
IT

ET

LT

LV

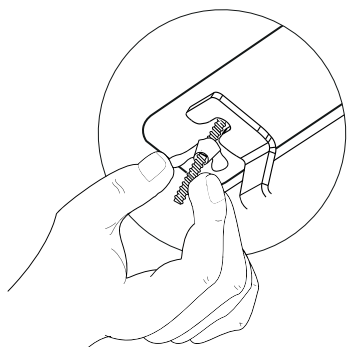
▪ Īsā pusē:



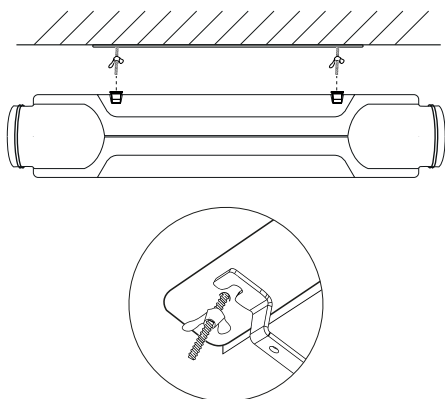
SVARĪGI!

Kronšteini garajās pusēs (standarta versija) jāizvieto 630 mm attālumā viens no otra, bet īsajās pusēs - 1035 mm attālumā viens no otra.

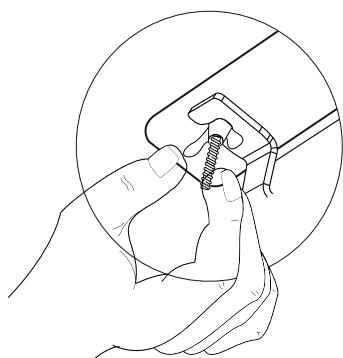
3. Atgrieziet spārnu uzgriežņus, līdz tie ir tikai 1 cm gar vītņi.



4. Novietojiet iekārtu uz vadotnes augšdaļas un bīdiet to, līdz tā nofiksējas aiz vītņstieņa.



5. Pievelciet spārnu uzgriežņus, lai nostiprinātu ierīci pie kronšteina.



5.5. Sienas montāža

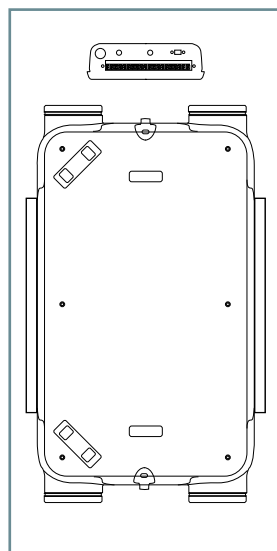


Lai nodrošinātu efektīvu kondensāta novadīšanu, ierīce jāuzstāda vertikāli un jāizlīdzina vertikālā plaknē.

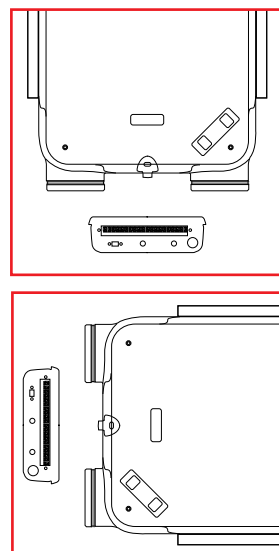


Uzstādiet ierīci TIKAI tā, lai vadības shēmas plates savienotājs būtu vērsts uz augšu. Ierīci nevar uzstādīt otrādi, ar elektrības savienojumiem uz leju.

Pareiza uzstādīšana

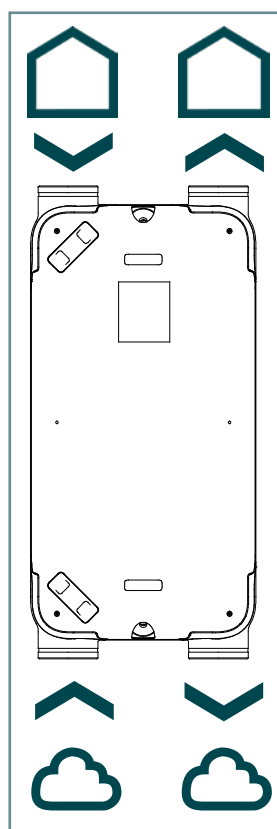


NEPAREIZA uzstādīšana

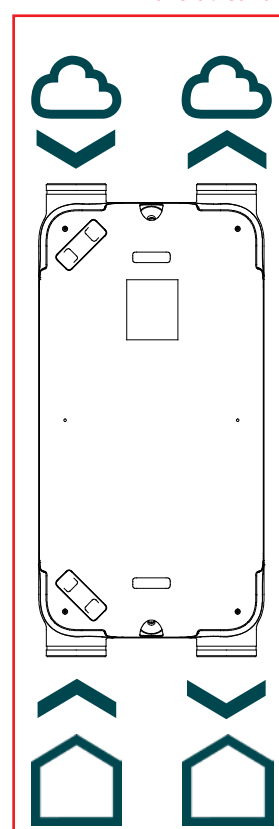


Ierīci ar siltuma siltummaiņu (HRV) uzstādiet TIKAI "kreiso pusī", ar ārējā gaisa ieņemšanas un netīrā gaisa izmešanas savienojumiem vērstiem uz leju.

Pareiza uzstādīšana



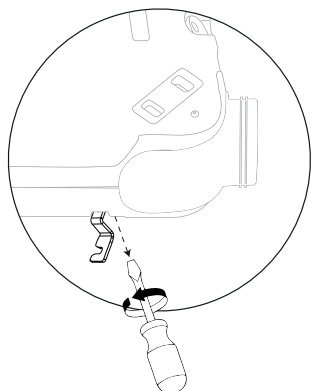
NEPAREIZA uzstādīšana



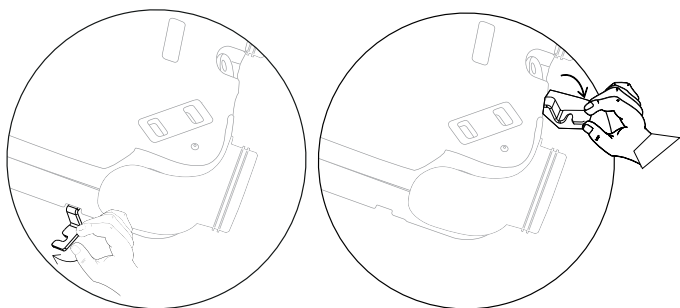
- EN
- DE
- IT
- ET
- LT
- LV**

1. Ierīce tiek piegādāta ar montāžas kronšteinu, kas pēc noklusējuma uzstādīti garajā pusē. Lai to pārvietotu uz īso pusī, rīkojieties šādi.

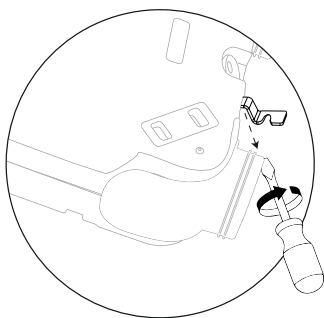
- Atskrūvējiet kronšteinus.



- Pārvietojiet kronšteinus uz īso pusī, saglabājot tos vienā un tajā pašā virzienā.

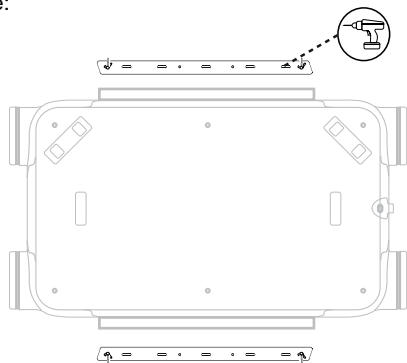


- Ieskrūvējiet kronšteinus jaunajā pozīcijā.

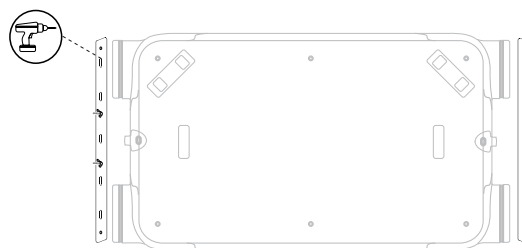


2. Virsmā izurbiet caurumus, kā atzīmēts, un ieskrūvējiet montāžas kronšteinus ovālajos caurumos.

- Garā pusē:



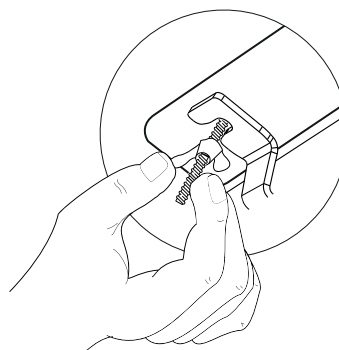
- Īsā pusē:



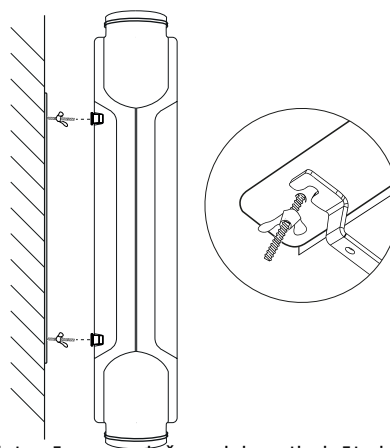
SVARĪGI!

Kronšteini garajā pusēs (standarta versija) jāizvieto 630 mm attālumā viens no otra, bet īsajās pusēs - 1035 mm attālumā viens no otra.

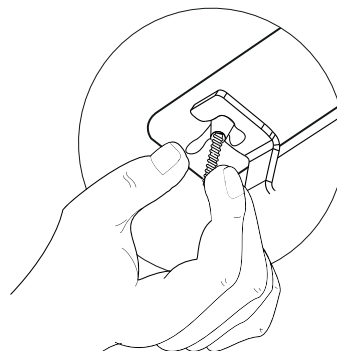
- 3. Atgrieziet spānu uzgriežņus, līdz tie ir tikai 1 cm gar vītņi.



- 4. Novietojiet iekārtu uz vadotnes augšdaļas un bīdiet to, līdz tā nofiksējas aiz vītņstieņa.



- 5. Pievelciet spānu uzgriežņus, lai nostiprinātu ierīci pie kronšteina.



EN

DE

IT

ET

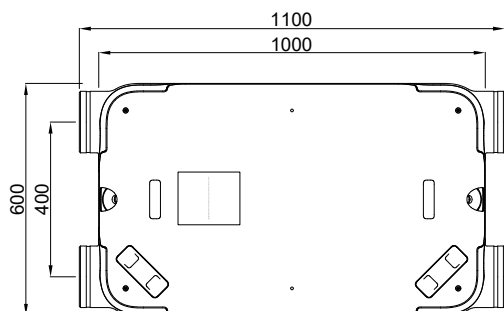
LT

LV

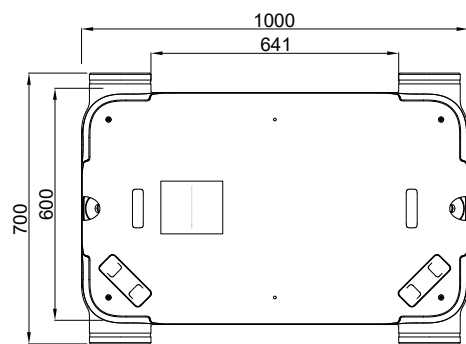
5.6. Savienojumu izvietojums

Tālāk ir parādīta savienojumu pagriešanas procedūra.

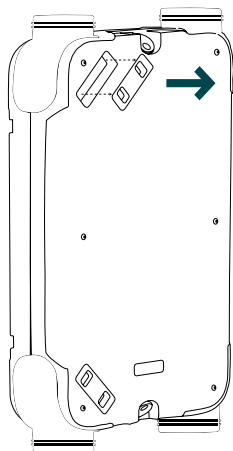
- Noklusējuma konfigurācija:



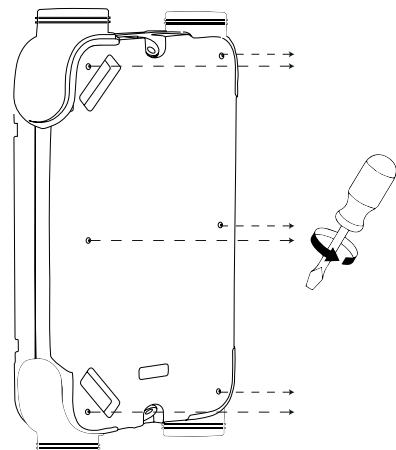
- Konfigurācija ar savienojumiem, kas pagriezti par 90°:



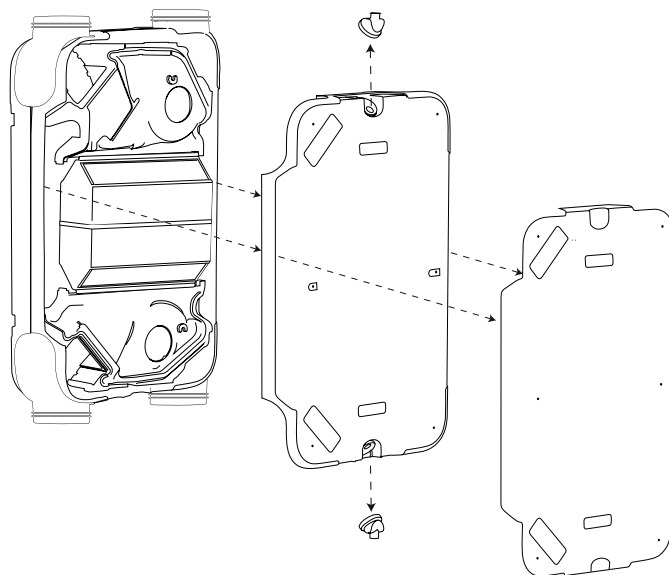
1. Noņemiet filtru vāciņus



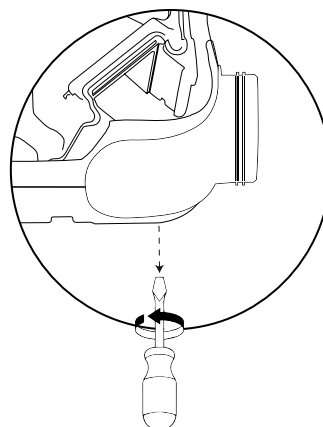
2. Atskrūvējiet vāka ārējās skrūves



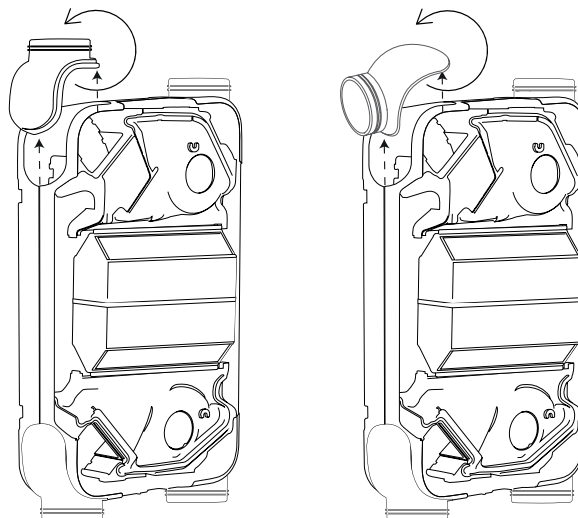
3. Noņemiet ārējo metāla vāku un augšējo polipropilēna vāku, atklājot ierīces iekšpusi



4. Atskrūvējiet EPP savienojumu stiprinājuma skrūves



5. Paceliet un pagrieziet savienojumus, pagrieziet tos un ievietojiet atpakaļ vietā



EN

DE

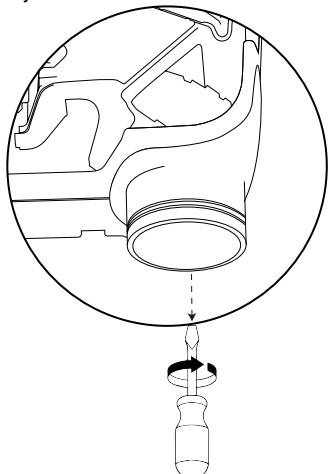
IT

ET

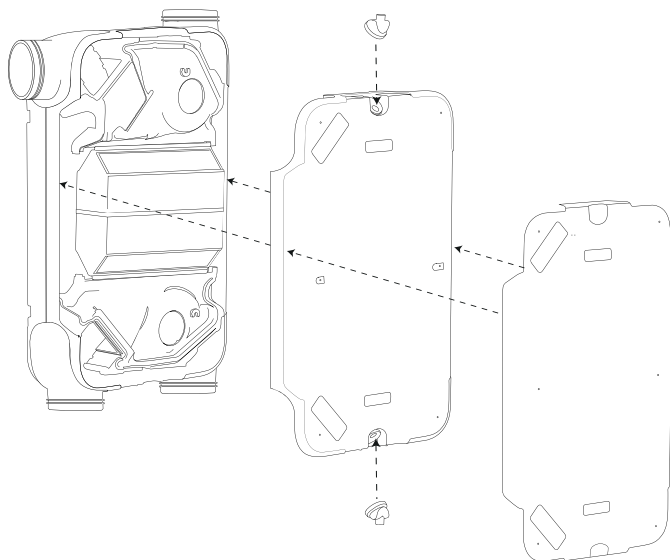
LT

LV

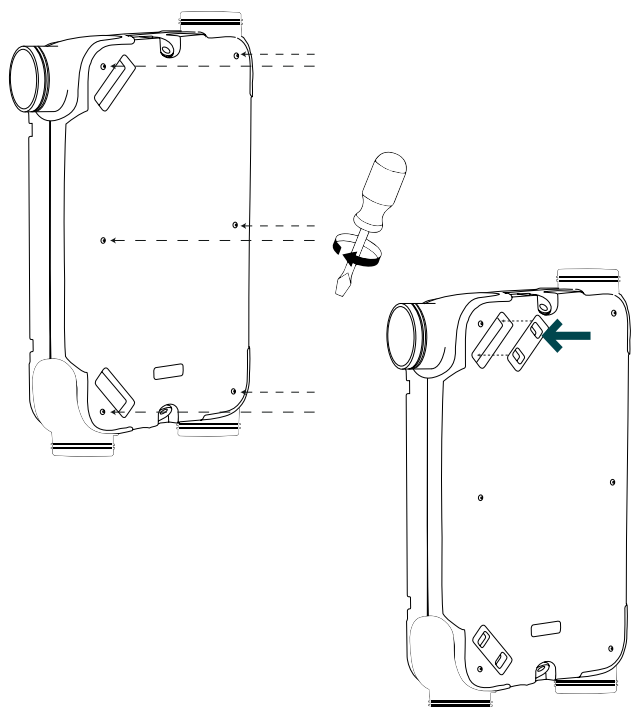
6. Pievelciet savienojuma skrūves



7. Uzlieciet atpakaļ polipropilēna augšējo vāku un metāla vāku



8. Pievelciet skrūves un uzlieciet atpakaļ filtra vāciņus



5.7. Kondensāta drenāžas pieslēgšana

Zehnder EVO 2 HRV un Zehnder EVO 2 HRV PR iekārtām jābūt aprīkotām ar kondensāta novadīšanas sistēmu.

EVO 2 ERV un EVO 2 ERV PR iekārtām tas nav nepieciešams. Pieskrūvējiet 1/2" sifonu ar ārējo vītņi (nav iekļauts piegādes komplektācijā, ir jāpasūta atsevišķi) uz iekārtas kondensāta novadīšanas savienojuma.

Lai nodrošinātu pareizu apkopi, uzstādiet sifonu tā, lai to varētu viegli noņemt un pārbaudīt.

Ierīces kondensāta novadīšanas savienojums var būt vērsts horizontāli vai uz leju.

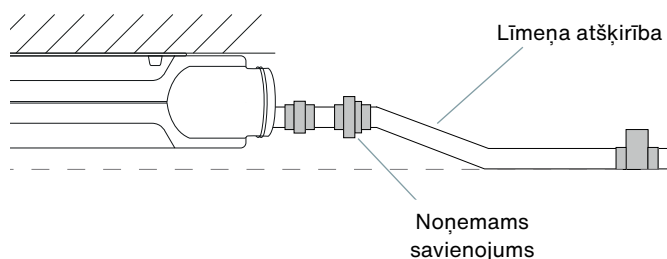


Pārliecinieties, ka kondensāta novadīšanas slīpums nav paralēls ierīcei vai vērsts atpakaļ pret to.

Svarīgi!

EVO HRV un EVO HRV PR vienībās ir pieslēgts tikai viens kondensāta novadītājs; otrs ir jāaizbāž. EVO ERV un EVO ERV PR vienībās abiem kondensāta novadītājiem jābūt aizbāžtiem. Aizbāžņi ir iekļauti komplektācijā.

Turpmāk ir sniegti norādījumi, kā uzstādīt kondensāta novadīšanas cauruli EVO ierīcei, kas uzstādīta horizontāli:



Ja iekārta ir uzstādīta horizontāli pie griestiem, kondensāta novadīšanai jābūt zem pašas iekārtas līmeņa.

Brīdinājums!

Garantija ir spēkā ar nosacījumu, ka ir uzstādīts oriģināls Zehnder sausais sifons un kondensāta novadīšanas sistēma ir izbūvēta pareizi. Pretējā gadījumā Zehnder uzskata, ka ir atbrīvots no jebkādas atbildības ierīces bojājumu gadījumā.

EN

DE

IT

ET

LT

LV

6. Elektriskie savienojumi

Pieslēgums elektroīklam jāveic saskaņā ar normatīvajiem standartiem.

Ventilatori un elektroniskā shēma darbojas ar 230 V barošanas spriegumu.

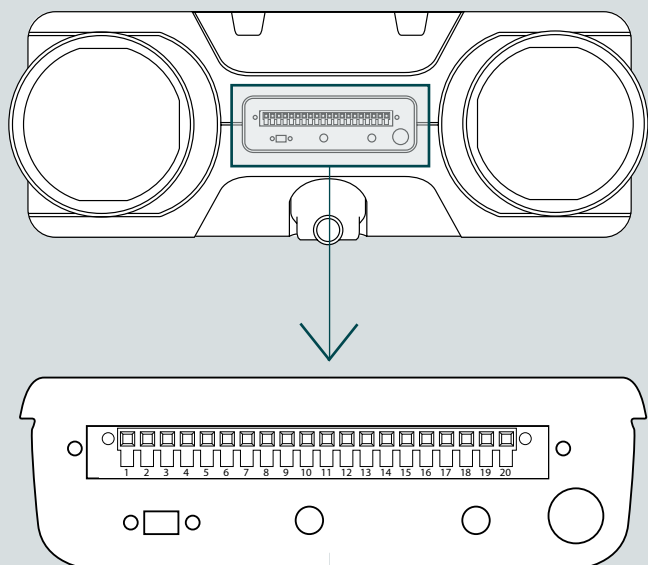


Veicot jebkārus darbus ar ierīci, uzstādīšanu vai apkopi, strāvas padeve ir jāatvieno.

Elektroinstalācijas krāsu kodējums

Brūns	Zem sprieguma
Zilais	Neitrāls
Zaļa/dzeltena	Zeme

Integrētā vadības shēma



Integrētā vadības shēma

Savienotāju apraksts		
Savienojums	Apraksts	Shēmas plate
PIN 1	0-10 V 10V signāla ieeja	X-26
PIN 2	0-10 V 0V-signāla ieeja	X-26
PIN 3	Mājas automatizācija - sausais kontakts	X-25
PIN 4	Mājas automatizācija - sausais kontakts	X-25
PIN 5	Neizmanto	-
PIN 6	Neizmanto	-
PIN 7	Pēcsildītāja 10 V izeja (*)	X-16
PIN 8	Pēcsildītāja 0 V izeja (*)	X-16
PIN 9	“Kreisā puse” NO/NC (*)	X-32
PIN 10	“Kreisā puse” NO/NC (*)	X-32
PIN 11	Neizmanto	-
PIN 12	3-ātrumu slēdzis V1 kopējais vai Multicontrol	X-510
PIN 13	3-ātrumu slēdzis V2 vai Multicontrol	X-510
PIN 14	3-ātrumu slēdzis V3 vai Multicontrol	X-510
PIN 15	Priekšsildītāja 230 V izeja (**)	X-17
PIN 16	Priekšsildītāja zemējuma izeja (**)	X-17
PIN 17	Priekšsildītāja neitrālā izeja (**)	X-17
PIN 18	Neizmanto	X-28
PIN 19	Neizmanto	X-28
PIN 20	Neizmanto	X-28

(*) Pins netiek izmantots modeļos Zehnder EVO 2 HRV PR un Zehnder EVO 2 ERV PR

(**) Modeļos ar standarta komplektācijā iekļauto priekšsildītāju šie kontakti tiek izmantoti pēcsildītājam (atsevišķi uzstādāms), nevis priekšsildītājam.

EN

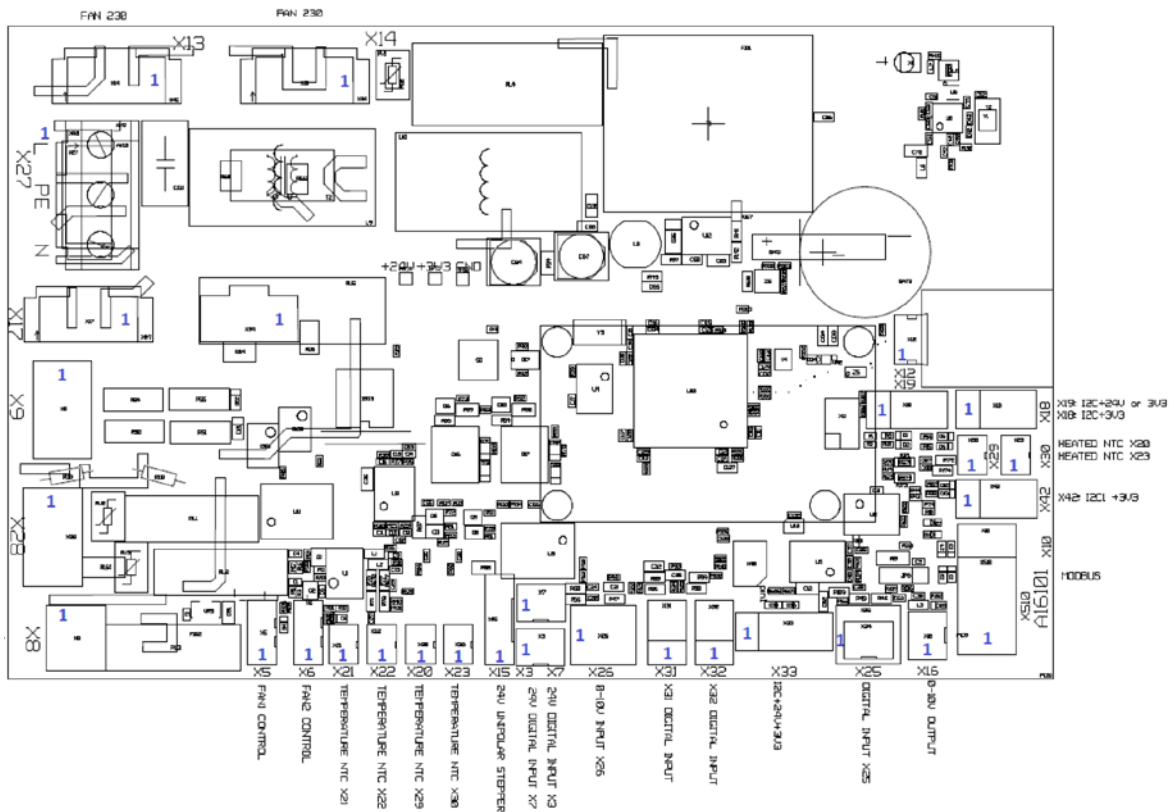
DE

IT

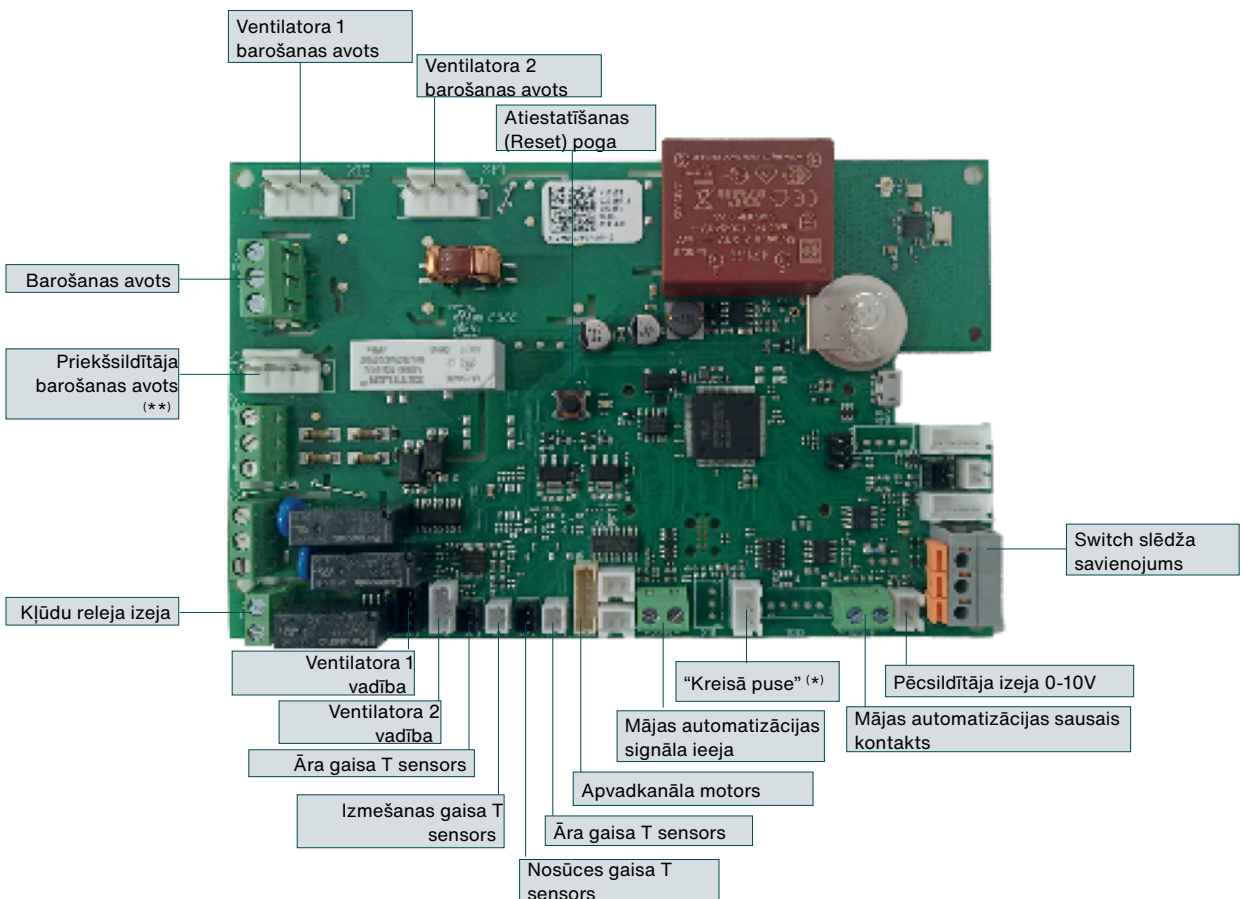
ET

LT

LV



- EN
- DE
- IT
- ET
- LT
- LV



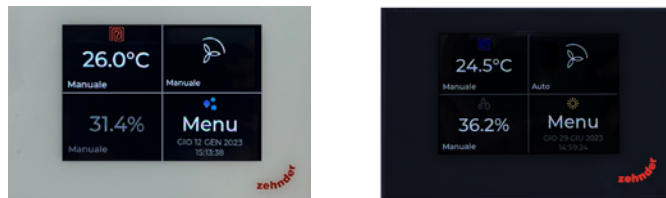
(*) Neizmanto modeļos Zehnder EVO 2 HRV PR un EVO 2 ERV PR.
 (***) Izmanto pēcsildītājam modeļos Zehnder EVO 2 HRV PR un EVO 2 ERV PR.

7. Vadības ierīces un savienojamība

Zehnder EVO sērijas iekārtas var uzraudzīt un kontrolēt dažādos veidos. Tālāk ir sniegts pieejamo piederumu saraksts.

7.1. Zehnder Multi Control vadība

Zehnder EVO iekārtas var kontrolēt, izmantojot Zehnder Multi



Control, kas ļauj tās kombinēt ar Zehnder ComfoDew vai Zehnder ComfoPost pēcapstrādes sistēmām.

Ventilācijas iekārta pēc noklusējuma izmanto minimālo ventilatora ātrumu. Multi Control, izmantojot tajā iebūvētos relejus, aktivizē otro un trešo ventilatora ātrumu, ja to pieprasa lietotājs vai ja tas nepieciešams pēcapstrādes vajadzībām.

Izmantojot Multi Control, lietotāji var izvēlēties manuālo vai automātisko darbības režīmu, rakstīt iknedēļas laika programmas un apskatīt filtra nomaiņas trauksmes signālu.

Ja papildus Multi Control ir pieslēgta cita vadības ierīce, piemēram, Zehnder EVO Sense, lai uzraudzītu un vadītu ierīci, otrai vadības ierīcei visu laiku jābūt manuālā režīmā un 1. ventilatora ātruma režīmā. Pretējā gadījumā Multi Control nedarbosies pareizi.



Zehnder Multi Control var pieslēgt lietotnei "Zehnder Multi Controller", kas uzrauga un kontrolē ventilācijas iekārtu, termiskās zonas un apkures sistēmu.

7.2. Zehnder EVO Sense bezvadu



EVO Sense bezvadu viedās vadības ierīce sazinās ar ventilācijas ierīci, izmantojot radiofrekvences (radiofrekvences), un ļauj izvēlēties piecus dažādus plūsmas ātrumus. Tā arī ļauj lietotājiem rakstīt dienas un nedēļas laika programmas un iestatīt automātisko darbības režīmu.

Tā ir viedā lietotāja un uzstādīšanas saskarne pieslēgtās ventilācijas iekārtas uzraudzībai un konfigurēšanai.

7.3. Zehnder EVO Switch RF



EVO Switch 4-iestatījumu bezvadu vadības ierīce ar spiedpogu palīdzību sazinās ar ventilācijas ierīci, izmantojot RF (radiofrekvenci), ar iespēju izvēlēties četrus dažādus darbības režīmus. Tai ir filtra nomaiņas trauksmes indikators.

7.4. RF CO₂ sensors



Bezvadu CO₂ sensors uzrauga oglekļa dioksīda līmeni telpā, kurā tas ir novietots, un nosūta rādījumus uz Zehnder EVO ierīci, izmantojot RF (radiofrekvenci). Iekārta attiecīgi maina plūsmas ātrumu, izvēloties pareizo līmeni, lai garantētu iekštelpu gaisa kvalitāti, pamatojoties uz sensora nosūtītajiem datiem.

7.5. RF mitruma sensors



Bezvadu sensors uzrauga gaisa relatīvo mitrumu telpā, kurā tas ir novietots, un nosūta rādījumus uz Zehnder EVO iekārtu, izmantojot RF (radiofrekvenci). Iekārta attiecīgi maina ventilācijas plūsmas ātrumu, izvēloties pareizo līmeni, lai nodrošinātu iekštelpu gaisa kvalitāti, pamatojoties uz sensora nosūtītajiem datiem.

EN

DE

IT

ET

LT

LV

7.6. Viedā savienojamība

Izmantojot dažādas saskarnes metodes, varat pārvērst savu māju par viedo māju:

- EVO Connect ModBus;
- EVO Connect ModBus-KNX.

7.6.1. EVO Connect ModBus

Ierīce "EVO Connect ModBus" ir savienota ar ēkas vadības sistēmu (BMS) un, izmantojot ModBus valodu, tiek izmantota, lai nolasītu un ievadītu datus, kas attiecas uz EVO ventilācijas iekārtu un visiem pievienotajiem saderīgajiem sensoriem (relatīvā mitruma/CO₂) un bezvadu vadības ierīcēm (EVO Sense/EVO Switch).

Tā sazinās ar EVO iekārtu, izmantojot RF.



EVO Connect ModBus pareizai darbībai nepieciešams 24 V maiņstrāvas/līdzstrāvas padeves avots.



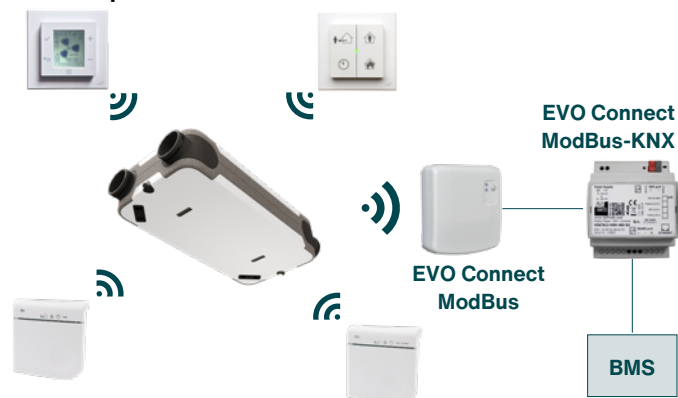
7.6.2. EVO Connect ModBus - KNX

Ierīce "EVO Connect ModBus - KNX" ir ModBus/KNX pārveidotājs, kas paredzēts savienošanai ar EVO Connect ModBus vārteju, lai pārveidotu vārtejas savāktos datus un nosūtītu tos pa vadu uz BMS.

Tas apkopo datus no EVO iekārtas un jebkuriem savienotajiem saderīgajiem sensoriem (relatīvā mitruma/CO₂) un bezvadu vadības ierīcēm (EVO Sense/EVO Switch).



EVO Connect ModBus - KNX pareizai darbībai nepieciešams 24 V maiņstrāvas/līdzstrāvas padeves avots.



EN

DE

IT

ET

LT

LV

8. Nodošana ekspluatācijā

Ventilācijas iekārtu var sākt ekspluatēt pēc uzstādīšanas. Rīkojieties šādi.

- Pirms ekspluatācijas uzsākšanas izlasiet ekspluatācijas instrukciju.
- Aizveriet visus logus un ārējās un iekšējās durvis.
- Pārbaudiet, vai visi vārsti ir pareizi uzstādīti, un atveriet tos, cik vien iespējams.
- Pārliecinieties, ka visi ventilācijas iekārtas un vārstu filtri ir kā jauni. Bojāti filtri var falsificēt nodošanas ekspluatācijā rezultātus.
- Iestatiet ventilācijas iekārtu uz ventilatora ātrumu 3. Automātiskais režīms nedrīkst būt ieslēgts.
- Pārliecinieties, ka spraugas zem durvīm vai pārplūdes restēm nav aizsprostotas un ļauj gaisam brīvi plūst. Šādam stāvoklim tiem jāpaliek visā turpmākajā ventilācijas iekārtas darbības laikā.
- Sāciet regulēt vārstus, sākot no vārsta, kas saņem mazāko gaisa plūsmu (parasti tas ir vārsts, kas atrodas vistālāk no ventilācijas iekārtas). Izmantojiet kalibrētu mērinstrumentu, lai katram vārstam iestatītu vajadzīgo nominālo gaisa plūsmu.
- Lai samazinātu enerģijas patēriņu, pārliecinieties, ka viens svaiga gaisa padeves vārsts un viens novadītā gaisa nosūces vārsts ir pilnībā atvērti.
- Atkārtojiet tilpuma plūsmas regulēšanu, līdz visi vārsti ir iestatīti uz vajadzīgo plūsmas ātrumu.
- Ja nav iespējams sabalansēt gaisa plūsmas ātrumu ar iestatītajiem apgriezieniem, ventilatora apgriezienus minūtē var regulēt atbilstoši nepieciešamajam plūsmas ātrumam.

9. Darbība

Iekārta tiek piegādāta gatava pieslēgšanai elektrības padevei un tās darbība ir pilnībā automātiska. No iekštelpām izvadītais netīrais gaiss nodod siltumenerģiju svaigajam gaisam no āra. Svaigs, tīrs gaiss tiek piegādāts uz mājas iekšpusi ar siltummaiņi mainītu temperatūru - vasarā vēss, bet ziemā silts, tādējādi nodrošinot ievērojamu enerģijas ietaupījumu. Atkarībā no izmantotās vadības sistēmas veida var būt pieejami līdz pat pieciem ventilācijas plūsmas ātrumiem. Iekārta tiek regulēta ar konstantu plūsmas ātrumu, kas nozīmē, ka gaisa pieplūdes un nosūces plūsmas ātrums tiek sasniegts neatkarīgi no spiediena krituma cauruļvados.

9.1. Apvadkanāla darbība

Standarta apvadkanāls ļauj piegādāt svaigu un vēsu āra gaisu tieši, izejot caur filtru, bet ne caur siltummaiņi, lai izmantotu labvēlīgu āra temperatūru noteiktos laikos, lai bez maksas samazinātu temperatūru mājoklī ("bezmaksas dzesēšana"). Apvadkanāls automātiski ieslēdzas, ja ir izpildīti konkrēti nosacījumi, kā norādīts turpmāk tabulā.

Apvadkanāla darbība	
Atvērts apvadkanāls	<ul style="list-style-type: none"> ▪ Āra temperatūra ir virs 10 °C. ▪ Vasarā āra gaisa temperatūra ir par 3 °C zemāka nekā no mājas izplūstošā gaisa temperatūra un zemāka par komforta temperatūru. ▪ Ziemā āra gaisa temperatūra ir par 3 °C augstāka nekā no mājokļa izplūstošā gaisa temperatūra un augstāka par komforta temperatūru.
Apvadkanāls ir slēgts	<ul style="list-style-type: none"> ▪ Āra temperatūra ir zemāka par 10 °C. ▪ Vasarā āra temperatūra ir augstāka par no mājokļa izvadītā gaisa temperatūru un augstāka par komforta temperatūru. ▪ Ziemā āra temperatūra ir zemāka par no mājokļa izvadītā gaisa temperatūru un zemāka par komforta temperatūru.

BRĪDINĀJUMS!

Zehnder EVO iekārta automātiski nosaka pašreizējo sezonu.

9.2. Aizsardzības pret salu drošības ierīce

Lai novērstu ledus veidošanos uz siltummaiņa, kad āra temperatūra ir ļoti zema, Zehnder EVO ir aprīkots ar aizsardzības pret salu drošības ierīci.

Sensori mēra temperatūras siltummaiņi, un nepieciešamības gadījumā ventilatori rada pakāpeniski pieaugošu plūsmu nelīdzsvarotību.

Kad temperatūra sasniedz -2°C modeļos Zehnder EVO 2 HRV un Zehnder EVO 2 ERV bez priekšsildītāja vai -16°C modeļos Zehnder EVO 2 HRV PR un Zehnder EVO 2 ERV PR ar priekšsildītāju, ierīce atslēdzas, lai novērstu siltummaiņa bojājumus, reizi stundā pārbaudot, vai temperatūra ir atgriezusies drošā darba līmenī.

10. Tehniskās apkopes procedūra



Regulāri veiciet visas šajā sadaļā minētās profilaktiskās apkopes procedūras. Ja profilaktiskās apkopes procedūras netiek veiktas regulāri, ventilācijas sistēmas darbība pasliktināsies.



Pirms tehniskās apkopes uzsākšanas vismaz divas minūtes palaidiet ventilācijas iekārtu ar ventilatora ātrumu 3, lai no siltummaiņa novadītu kondensātu.



Ja ir jānomaina kāda detaļa, pasūtiet oriģinālu rezerves daļu no Zehnder un visus darbus uzticiet veikt Zehnder pilnvarotajam tehniskā servisa centram.



Izņemot filtra nomaiņu, visa apkope jāveic speciālistiem.



Pirms apkopes darbu uzsākšanas vienmēr atvienojiet ventilācijas iekārtu no elektrības padeves, ja vien nav norādīts citādi. Ja ierīce tiek darbināta atvērta, pastāv reāls risks gūt traumas. Pārlicinieties, ka to nevar iedarbināt nejauši.



Veiciet atbilstošus pasākumus, lai novērstu elektrostatisko izlādi, strādājot ar elektroniku, jo elektrostatiskā elektrība var to neatgriezeniski sabojāt.

10.1. Gaisa filtra apkope

Šo apkopes procedūru var veikt lietotājs.

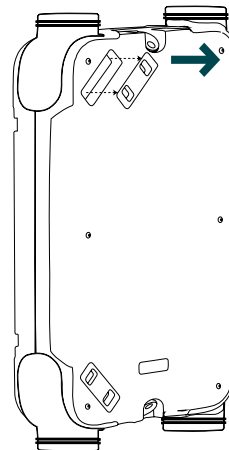
Filtri jāpārbauda reizi trijos mēnešos. Ja uz tiem ir rupji netīrumi (kukaiņi, sīkas augu daļas u. c.), tos var iztīrīt ar putekļsūcēju un atgriezt atpakaļ ierīcē.

Filtri jāmaina vismaz reizi sešos mēnešos.

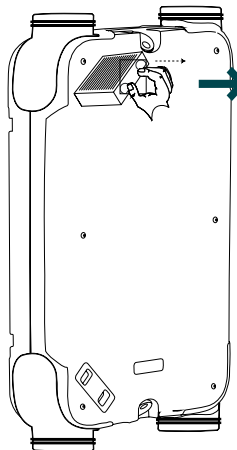
Iepriekš sagādājiet rezerves filtrus, pārlicinoties, ka tie ir oriģināli Zehnder filtri.

1. Ja tiek izmantota EVO Sense tālvadības pults, veiciet filtra nomaiņas procedūru ar to. Pretējā gadījumā ierīci izslēdziet. Ja ierīce ir savienota ar EVO Switch vai Multi Control ierīci, atcerieties pēc procedūras pabeigšanas atiestatīt filtra nomaiņas trauksmes signālu.

2. Noņemiet vāciņus no filtra sekcijas.



3. Uzmanīgi noņemiet aizsērējušos filtrus, izmantojot tam paredzētās cilpiņas. Ja abi filtri nav vienādi, ņemiet vērā to atrašanās vietas: ISO ePM1 filtrs ir uzstādīts uz āra gaisa iepļūdes atveres, bet ISO rupjais filtrs ir uzstādīts uz telpas gaisa nosūces atveres.



BRĪDINĀJUMS!

Zehnder EVO iekārtu nekad nedrīkst ekspluatēt bez filtriem.

EN

DE

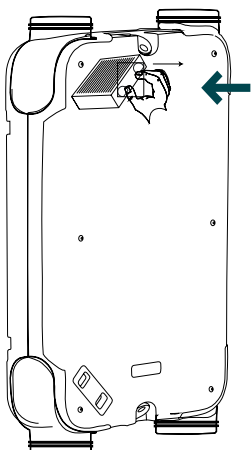
IT

ET

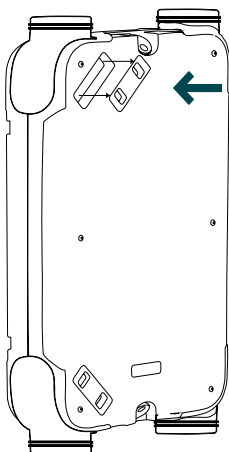
LT

LV

4. No jauna ievietojiet filtrus to nodalījumos, novietojot tos, kā norādīts 3. punktā.



5. Uzlieciet vāciņus atpakaļ uz filtru nodalījumiem.



6. Pārtrauciet filtra nomaiņas procedūru vai atkārtoti iedarbiniet ierīci.



Mainot iekārtas filtrus, iztīriet arī filtrus uz iekšējām restēm vai vārstiem un ārējās gaisa izplūdes restēm.



Izmetiet piesārņoto filtru kā atkritumus, kas nav pārstrādājami.

10.2. Ventilācijas iekārtas tīrīšana

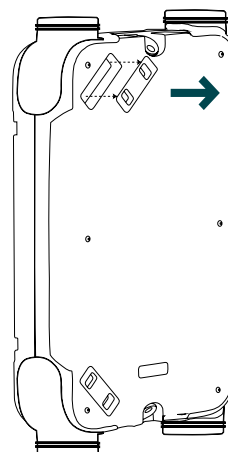
Visi EVO iekārtas iekšējie komponenti (siltummainis, ventilatori utt.) jāpārbauda un jātīra reizi divos gados.

BRĪDINĀJUMS!

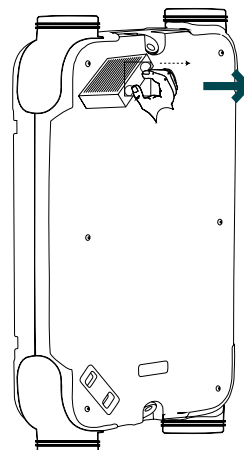
Šo apkopes darbu drīkst veikt tikai Zehnder pilnvarots, kvalificēts inženieris. Sazinieties ar tuvāko tehniskā servisa centru

1. Atvienojiet ierīci no elektriskās strāvas padeves.

2. Noņemiet vāciņus no filtra sekcijas.



3. Uzmanīgi noņemiet filtrus, izmantojot tam paredzētās cilpiņas. Ja abi filtri nav vienādi, ņemiet vērā to atrašanās vietas: ISO ePM1 filtrs ir uzstādīts uz āra gaisa ieplūdes atveres, bet ISO rupjais filtrs ir uzstādīts uz iekštelpu gaisa nosūces atveres.



EN

DE

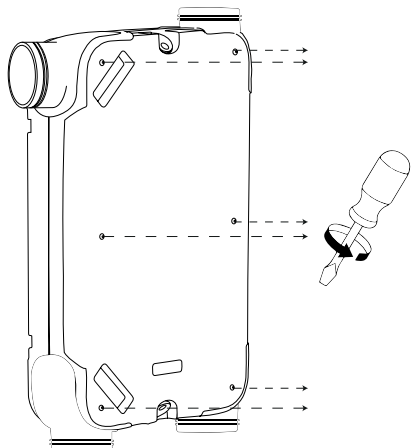
IT

ET

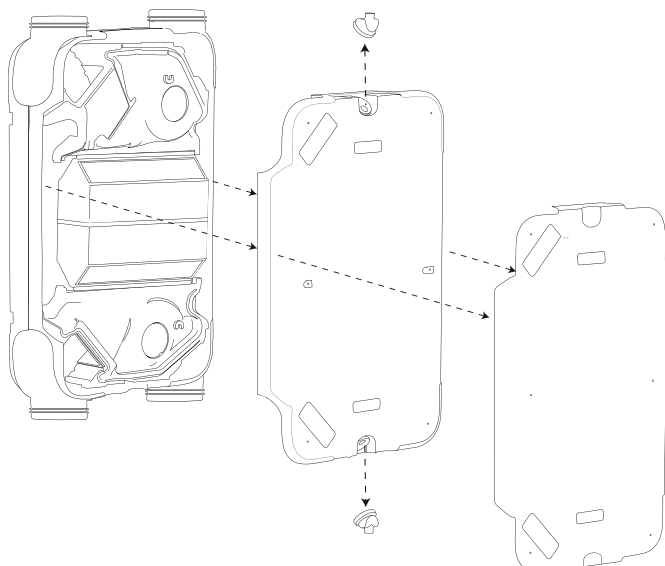
LT

LV

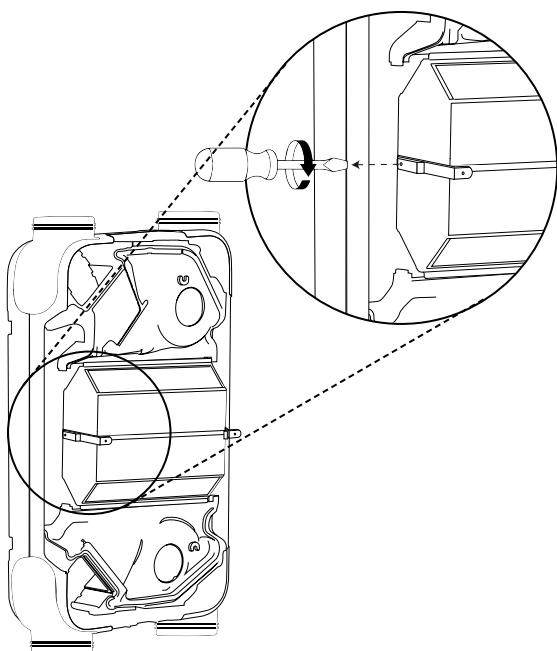
4. Noņemiet ārējā metāla vāka skrūves



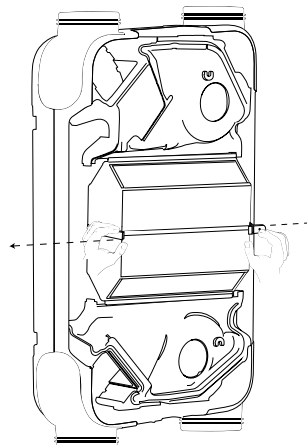
5. Noņemiet metāla vāku un polipropilēna vāku, atklājot siltummaini, ventilatorus un apvadkanālu.



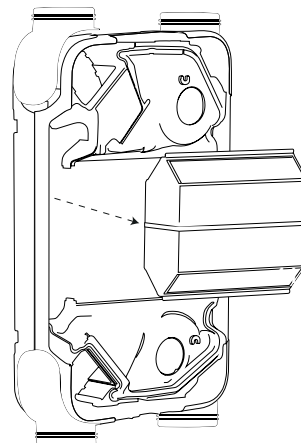
6. Atvienojiet un noņemiet kreiso montāžas kronšteinu



7. Atdaliet kronšteinus, kas notur siltummaini, lai to varētu noņemt

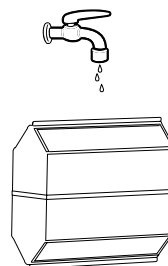


8. Noņemiet siltummaini



Īpaši uzmanīgi noņemiet siltummaini.
Siltummainī var būt nedaudz kondensāta.

9. Notīriet siltummaini tekošā ūdenī



10. Pārbaudiet, vai ierīces redzamā iekšpusē ir tīra: siltummaiņa nodalījums, apvadkanāls, polipropilēna detaļas.
Ja nepieciešams, notīriet ar mīkstu drānu.

11. Notīriet ventilatorus ar putekļsūcēju, kas aprīkots ar birsti, un pārbaudiet, vai tie nav bojāti. Ja tādi ir, nomainiet tos.

EN

DE

IT

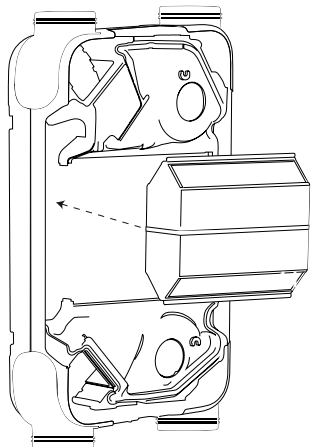
ET

LT

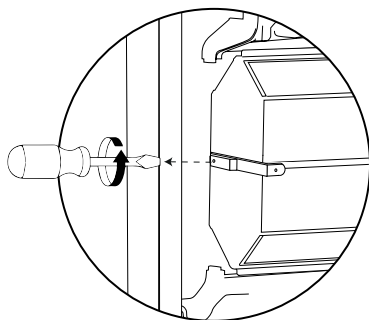
LV

12. Kad tīrīšanas procedūras ir pabeigtas, atkal samontējiet ierīci.

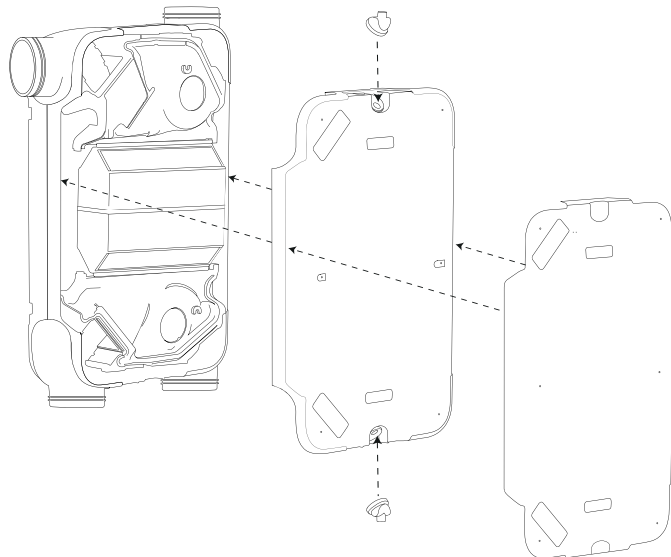
13. Atgrieziet siltummaini tā nodalījumā



14. Uzlieciet atpakaļ kreiso kronšteinu un pievilciet skrūvi

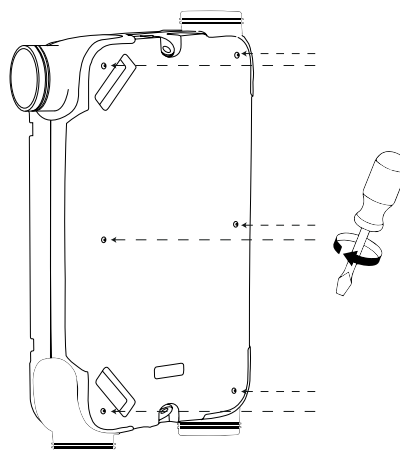


15. Nomainiet polipropilēna un metāla vākus.

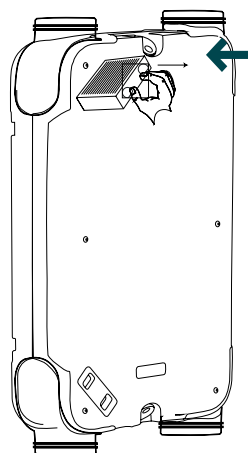


Pārliecinieties, ka polipropilēna augšējais pārsegs ir perfekti izlīdzināts ar apakšējo daļu, bez spraugām sānos. Pretējā gadījumā pārbaudiet, vai vadi ir pareizi ievietoti tiem paredzētajās rievās.

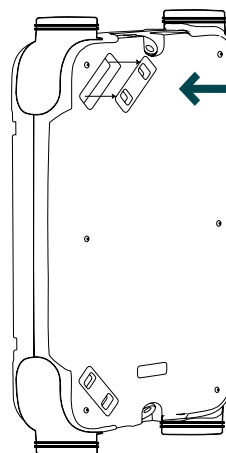
16. Pievelciet skrūves metāla vākam.



17. No jauna ievietojiet filtrus to nodalījumos, novietojot tos, kā norādīts 3. punktā



18. No jauna uzlieciet filtru vākus



EN

DE

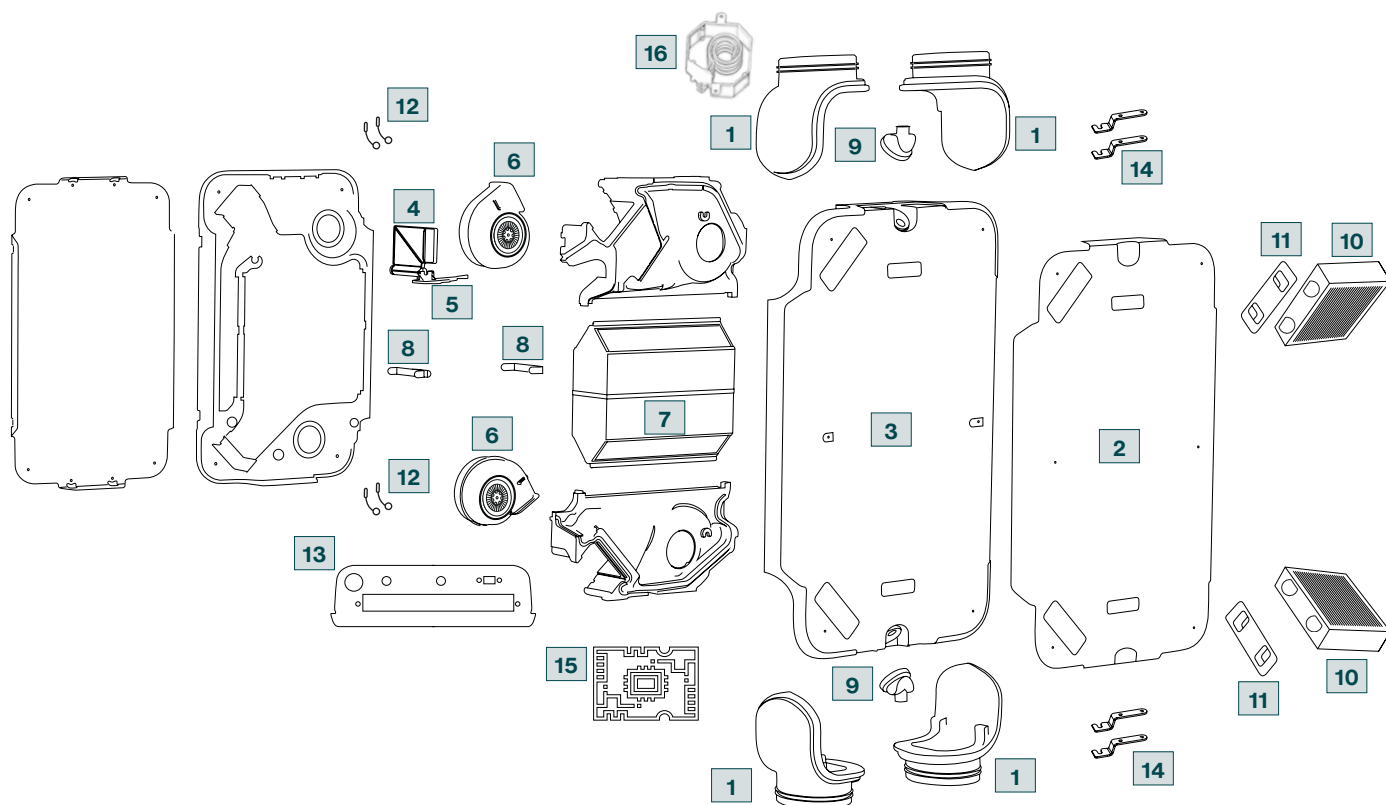
IT

ET

LT

LV

11. Vienības pārskats un sastāvdaļu apraksts



Nē.	Sastāvdaļas apraksts	nr. gabalu skaits
1	Grozāmie savienojumi	4 gab
2	Priekšējais vāks	1 gab
3	Polipropilēna pārsegs ventilatoriem, siltummainim, elektronikai	1 gab
4	Apvadkanāla vārsts	1 gab
5	Apvadkanāla motors	1 gab
6	Augstas efektivitātes ventilatori	2 gab
7	Augstas efektivitātes enerģijas atgūšanas siltummainis	1 gab
8	Siltummaiņa montāžas kronšteini	2 gab
9	Grozāms kondensāta novadītājs	2 gab
10	Augstas veikspējas filtri	2 gab
11	Filtra vāks	2 gab
12	Temperatūras sensors	4 gab
13	Savienojumu plate	1 gab
14	Skaņas slāpēšanas bloks	4 gab
15	Elektroniskās shēmas plate	1 gab
16	Priekšsildītājs (*)	1 gab

(*) Iekļauts tikai modeļos Zehnder EVO 2 HRV PR un Zehnder EVO 2 ERV PR.

EN

DE

IT

ET

LT

LV

